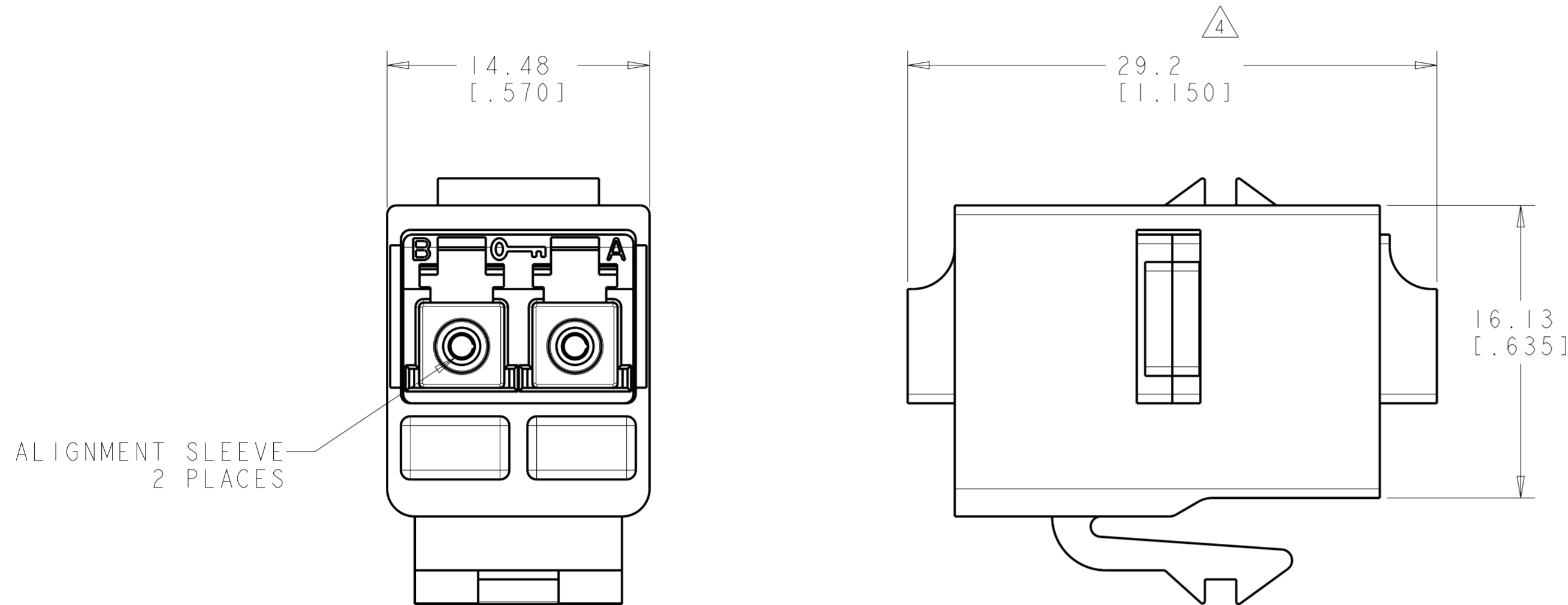


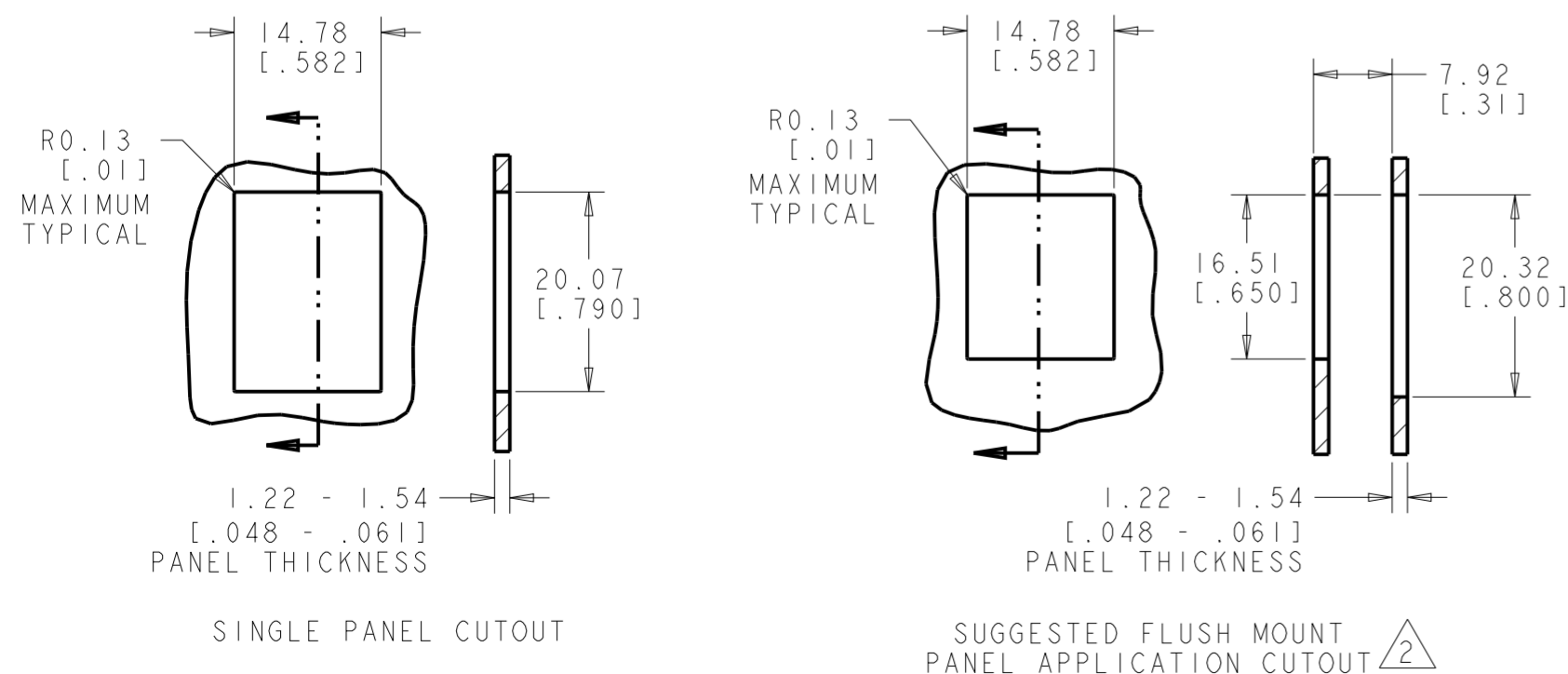
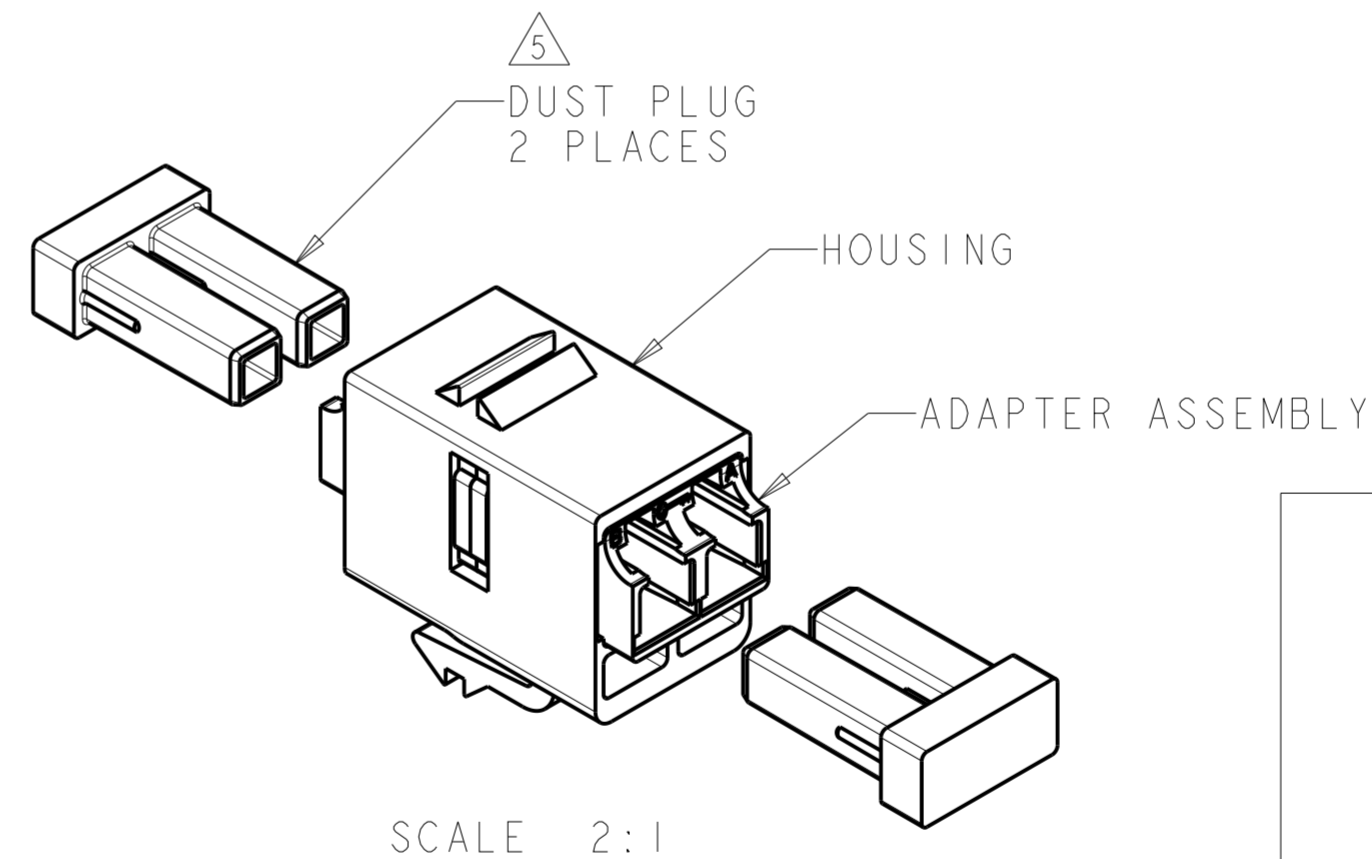
THIS DRAWING IS UNPUBLISHED. RELEASED FOR PUBLICATION
 © 2016 COMMSCOPE, INC. CONFIDENTIAL NOTICE: THESE DRAWINGS AND SPECIFICATIONS ARE THE PROPRIETARY PROPERTY OF COMMSCOPE, INC. AND MAY BE USED ONLY FOR THE SPECIFIC PURPOSE AUTHORIZED IN WRITING BY COMMSCOPE, INC.

REVISIONS					
P	LTR	DESCRIPTION	DATE	DWN	APVD
A		RLSD; NSD07-030	18APR2007	GG	GB
B		REV PER BNS_CD_BRAND	07FEB2017	GG	DC



- △ MATERIAL:
 HOUSING - POLYPHENYLENE OXIDE, 94V-0 RATED. SEE TABLE FOR COLOR.
 ADAPTER ASSEMBLY -
 HOUSINGS - THERMOPLASTIC, PPE-PS*
 ALIGNMENT SLEEVES - CERAMIC
 DUST PLUGS: THERMOPLASTIC ELASTOMERS*
 *UL 94V-0 RATED AT QUALIFYING THICKNESS
- △ THESE TWO SUGGESTED CUTOUT OPENINGS ARE USED IN TANDEM WITH DUAL FRONT AND BACK CUTOUTS.
- △ PACKAGED ONE ASSEMBLY PER POLYBAG.
- △ DIMENSION APPLIES WITH DUST PLUGS REMOVED.
- △ DUST PLUGS SHOWN NOT ASSEMBLED BUT SHIPPED ASSEMBLED TO DUPLEX LC ADAPTER.

ALIGNMENT SLEEVE
2 PLACES



△ 3	SLATE	1-1933285-0
	ORANGE	1933285-9
	VIOLET	1933285-8
	BROWN	1933285-7
	AQUA	1933285-6
	ROSE	1933285-5
	BLUE	1933285-4
	GREEN	1933285-3
	YELLOW	1933285-2
RED	1933285-1	
PACKAGE	HOUSING COLOR	PART NUMBER

THIS DRAWING IS A CONTROLLED DOCUMENT.

DWN	G GARRETT	18APR2007
CHK	G BOWMAN	18APR2007
APVD	G BOWMAN	18APR2007

COMMSCOPE, INC.
 NAME: ADAPTER, DUPLEX, LC, HYBRID, SL

SIZE	CAGE CODE	DRAWING NO	RESTRICTED TO
A2		C-1933285	

CUSTOMER DRAWING SCALE 4:1 SHEET 1 OF 1 REV B

X-ON Electronics

Largest Supplier of Electrical and Electronic Components

Click to view similar products for [Fibre Optic Connectors](#) category:

Click to view products by [TE Connectivity](#) manufacturer:

Other Similar products are found below :

[0004700001](#) [6100-R](#) [6313](#) [F709034706](#) [F709722200](#) [F709730000](#) [F718183204](#) [F727403500](#) [F727752800](#) [8119](#) [9440F20-27S-190](#) [944-120-6001](#) [9441F10SL-3S](#) [9444W28-21S](#) [9444W36-10S](#) [9446F10SL-4S](#) [9446W20-16S](#) [953-101-5310-P](#) [954-101-57202B](#) [A0270169](#) [12-9122](#) [12-5702](#) [AX101713](#) [AX102420](#) [AX103923](#) [AX104024](#) [AX104193](#) [AX104230](#) [AX104498](#) [AX104562](#) [AX105203-B25](#) [AX105205-S1](#) [EHSC2M](#) [181-011-126](#) [181-011-S](#) [181-057-126](#) [HRFC-R2\(40\)](#) [NKSOPBUY](#) [20500002116](#) [2064996-1](#) [20800001065](#) [2170](#) [9132](#) [2612](#) [2620](#) [9291](#) [9440F16-10S](#) [9440F20-18S](#) [9442W14S-10P](#) [9446F16-10S-190](#)