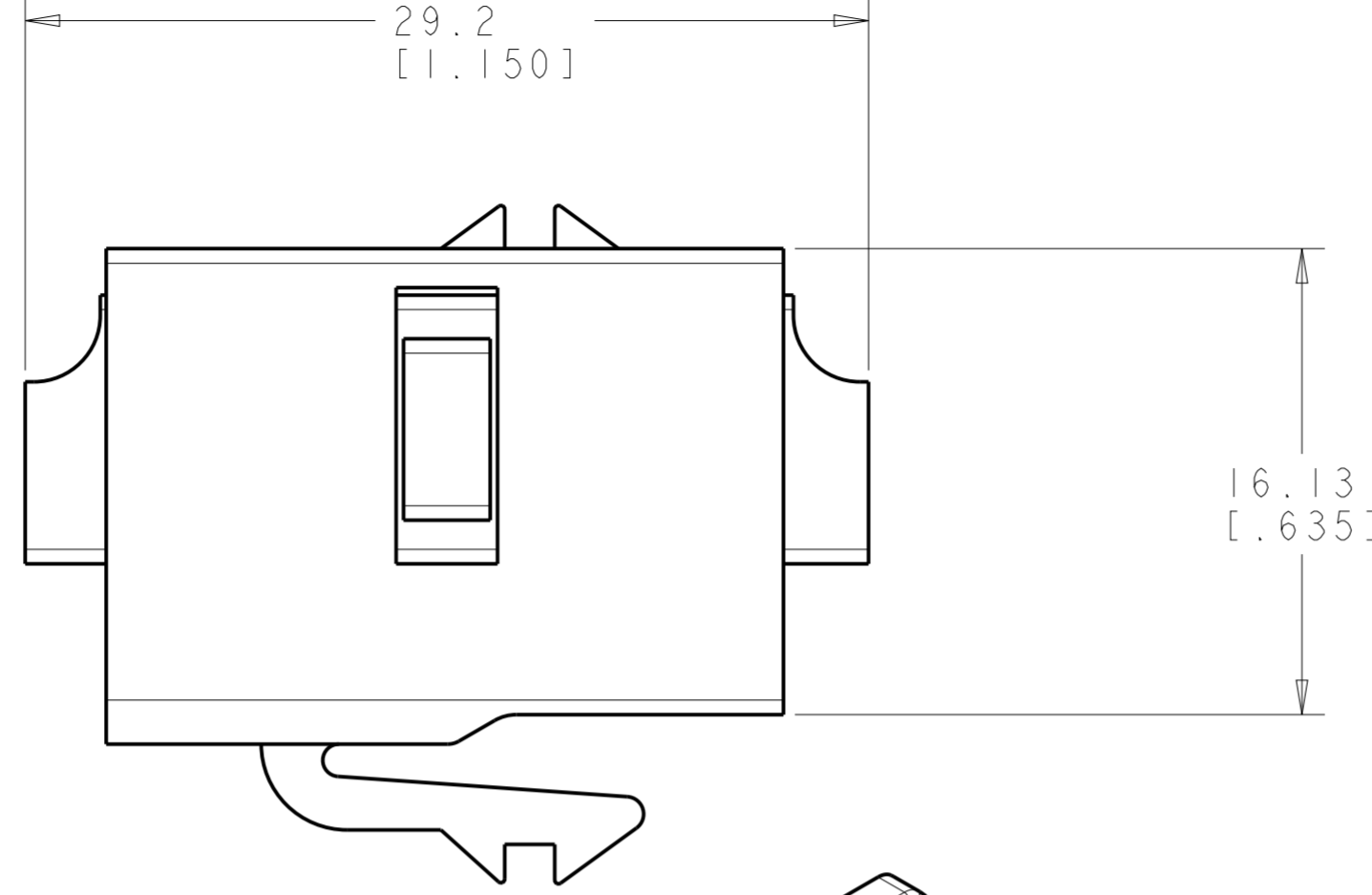
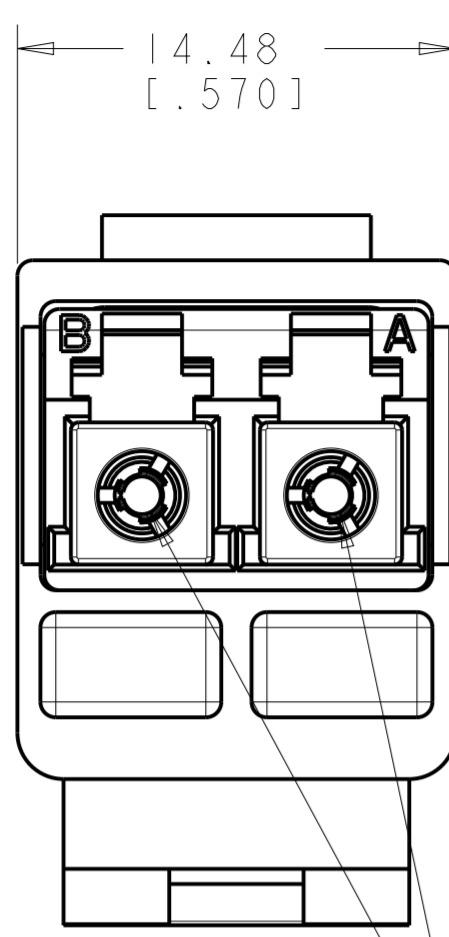


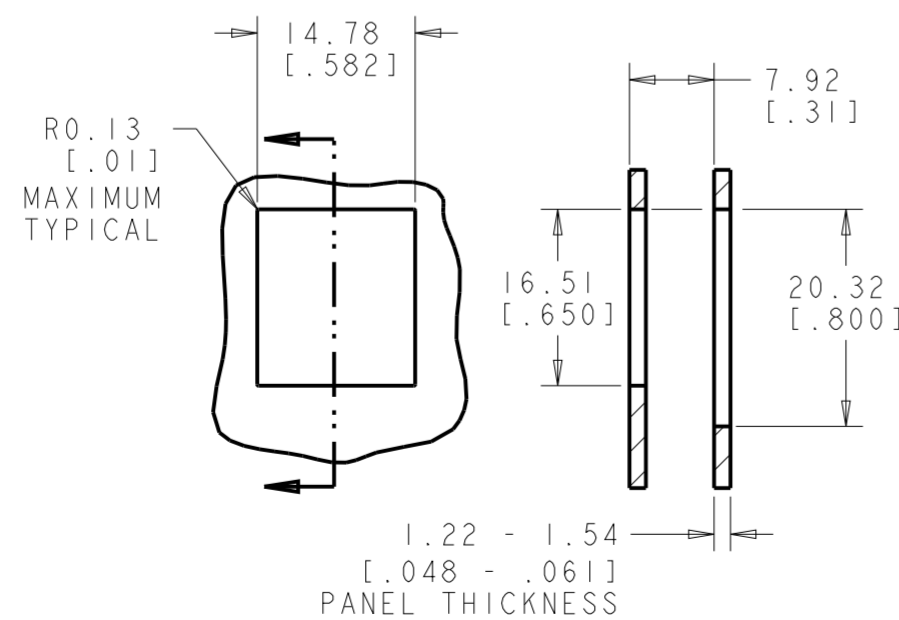
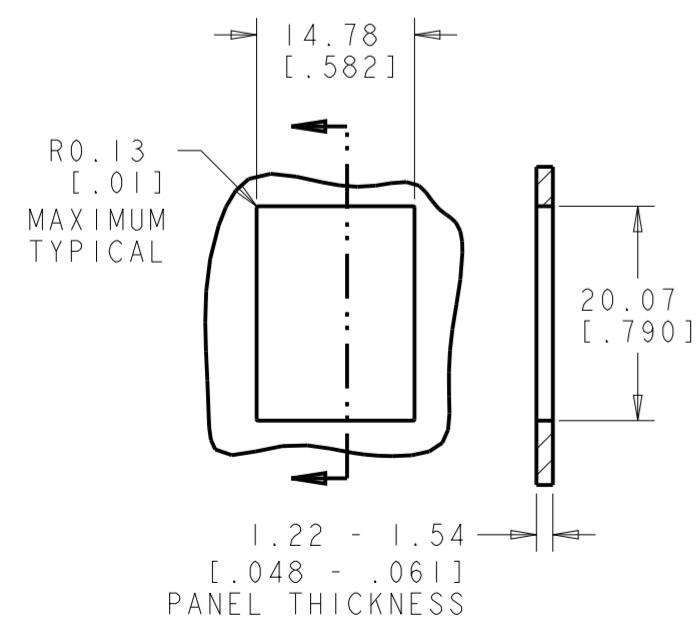
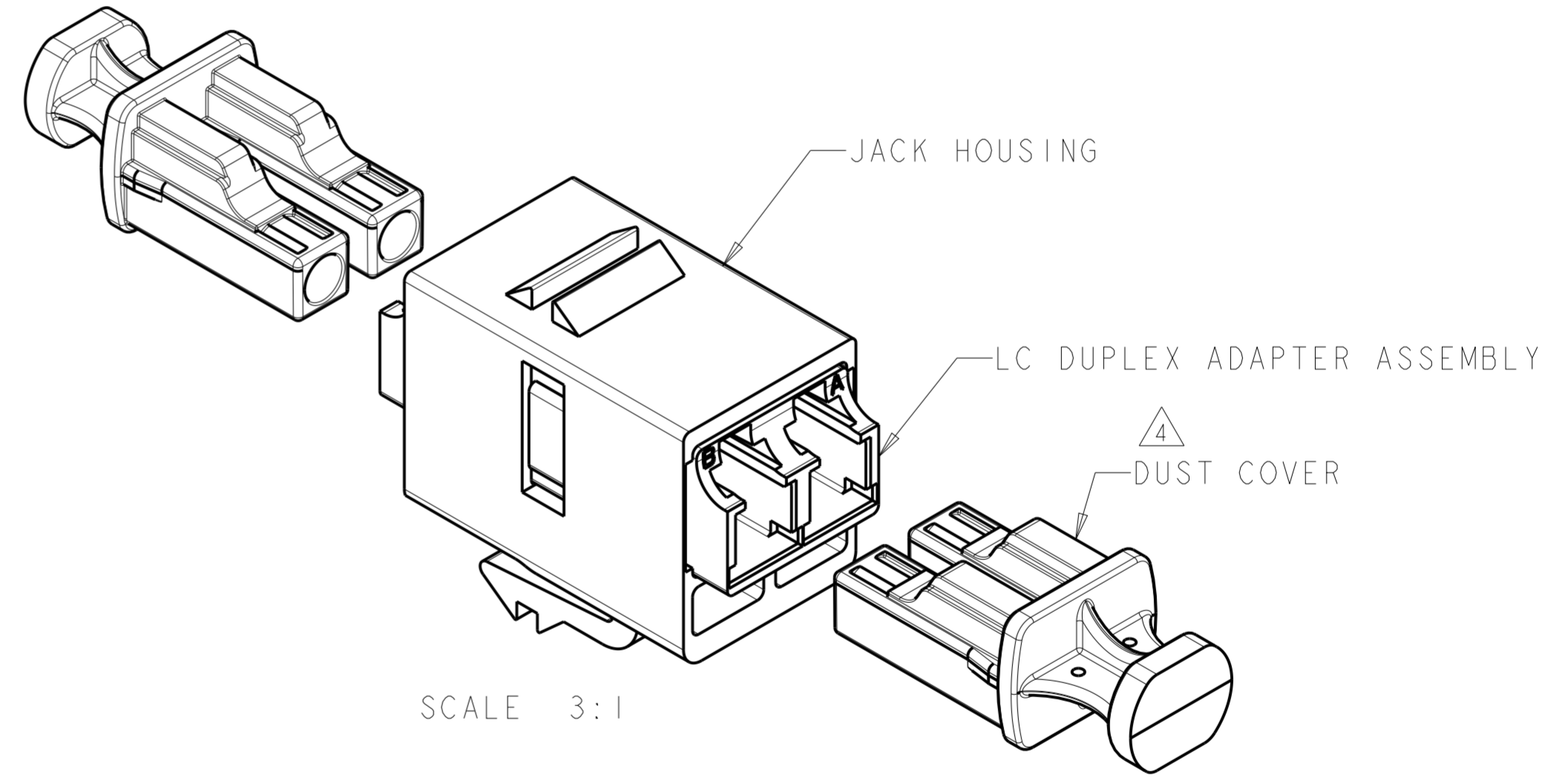
THIS DRAWING IS UNPUBLISHED. RELEASED FOR PUBLICATION
 © 2016 COMMSCOPE, INC. CONFIDENTIAL NOTICE: THESE DRAWINGS AND SPECIFICATIONS ARE THE PROPRIETARY PROPERTY OF COMMSCOPE, INC. AND MAY BE USED ONLY FOR THE SPECIFIC PURPOSE AUTHORIZED IN WRITING BY COMMSCOPE, INC.

REVISIONS				
P	LTR	DESCRIPTION	DATE	APVD
C		REV; ECO-10-020682	12OCT2010	GG RA
D		REV; ECO-15-006853	05MAY2015	GG TE
E		REV PER BNS_CD_BRAND	07FEB2017	GG DC



- 1 MATERIAL: JACK HOUSING - POLYPHENYLENE OXIDE, 94V-0 RATED. LC DUPLEX ADAPTER ASSEMBLY - ULTEM 1010R.
- 2 THESE TWO SUGGESTED CUTOUT OPENINGS ARE USED IN TANDEM WITH DUAL FRONT AND BACK CUTOUTS.
- 3 PACKAGED ONE ASSEMBLY PER POLYBAG.
- 4 DUST COVERS SHOWN NOT ASSEMBLED BUT SHIPPED ASSEMBLED TO DUPLEX LC ADAPTER.

ALIGNMENT SLEEVE, CERAMIC
 QUANTITY 2



3	BEIGE	1-1933286-2
	BLACK	1-1933286-1
	AQUA	1933286-6
	BLUE	1933286-4
	GREEN	1933286-3
PACKAGE	COLOR	PART NUMBER

THIS DRAWING IS A CONTROLLED DOCUMENT.		DWN G. GARRETT 17APR2007	COMMSCOPE, INC.			
DIMENSIONS: MM [INCHES]		CHK G. BOWMAN 17APR2007				
TOLERANCES UNLESS OTHERWISE SPECIFIED:		APVD G. BOWMAN 17APR2007				
0 PLC ±		NAME DUPLEX, LC ADAPTER, SM-MM, SL HOUSING				
1 PLC ±		PRODUCT SPEC -	SIZE A2	CAGE CODE -	DRAWING NO. C-1933286	RESTRICTED TO -
2 PLC ±		APPLICATION SPEC -	WEIGHT -	SCALE 4:1	SHEET 1	REV E
3 PLC ±		WEIGHT -	Customer Drawing			
4 PLC ±						
ANGLES ±						
FINISH -						

X-ON Electronics

Largest Supplier of Electrical and Electronic Components

Click to view similar products for [Fibre Optic Connectors](#) category:

Click to view products by [TE Connectivity](#) manufacturer:

Other Similar products are found below :

[0004700001](#) [6100-R](#) [6313](#) [F709034706](#) [F709722200](#) [F709730000](#) [F718183204](#) [F727403500](#) [F727752800](#) [8119](#) [9440F20-27S-190](#) [944-120-6001](#) [9441F10SL-3S](#) [9444W28-21S](#) [9444W36-10S](#) [9446F10SL-4S](#) [9446W20-16S](#) [953-101-5310-P](#) [954-101-57202B](#) [A0270169](#) [12-9122](#) [12-5702](#) [AX101713](#) [AX102420](#) [AX103923](#) [AX104024](#) [AX104193](#) [AX104230](#) [AX104562](#) [AX105203-B25](#) [AX105205-S1](#) [EHSC2M](#) [181-011-126](#) [181-011-S](#) [181-057-126](#) [HRFC-R2\(40\)](#) [NKSOPBUY](#) [20500002116](#) [2064996-1](#) [20800001065](#) [2170](#) [9132](#) [2612](#) [2620](#) [9291](#) [9440F16-10S](#) [9440F20-18S](#) [9442W14S-10P](#) [9446F16-10S-190](#) [953-106-50231](#)