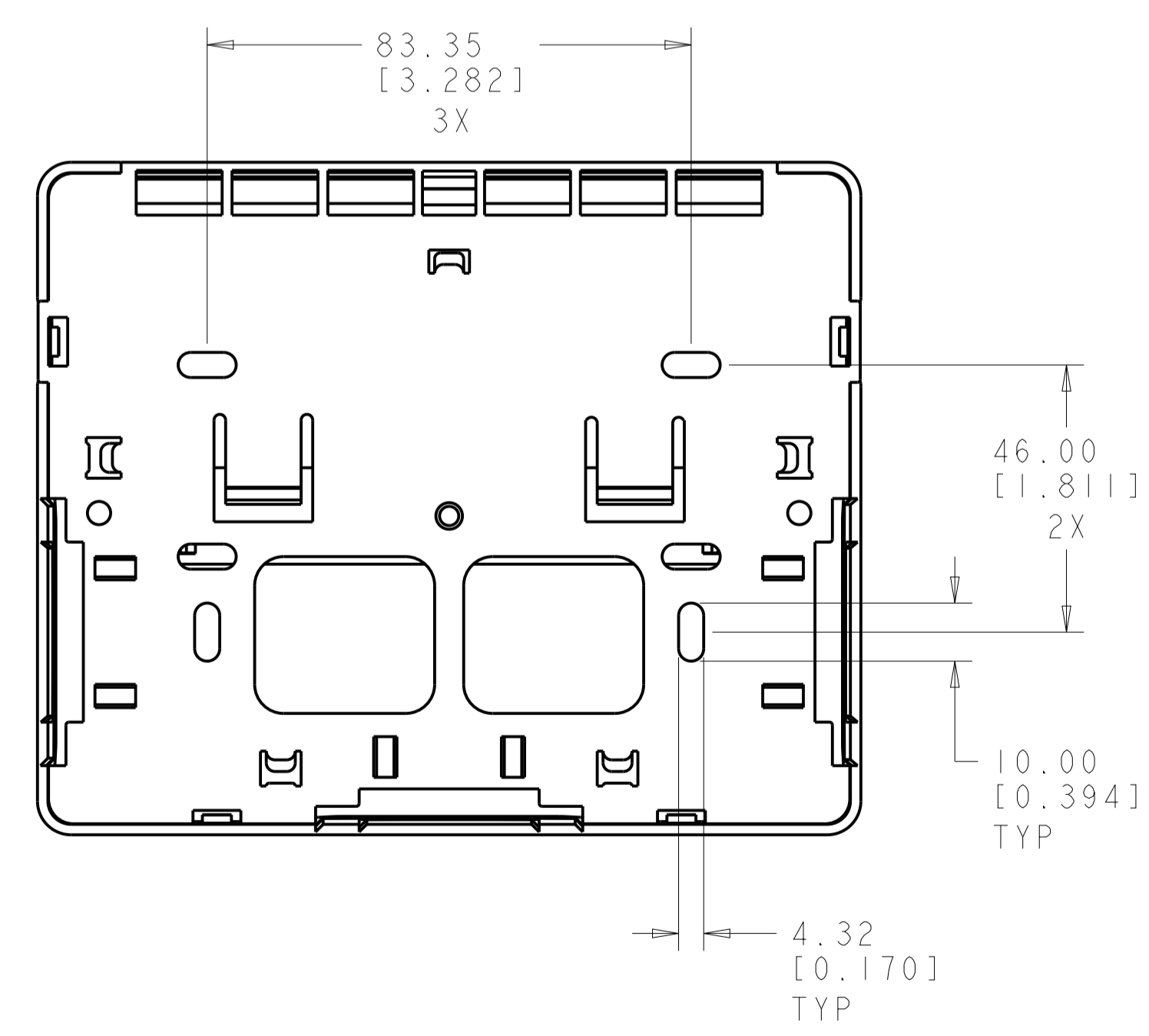
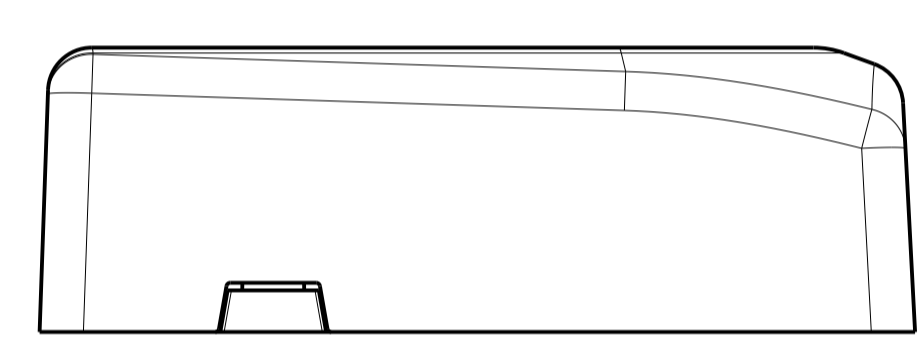
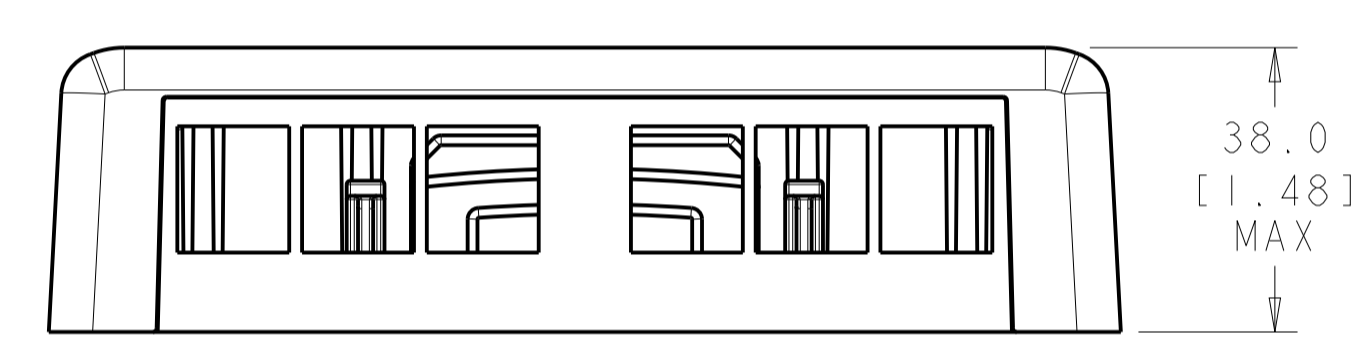
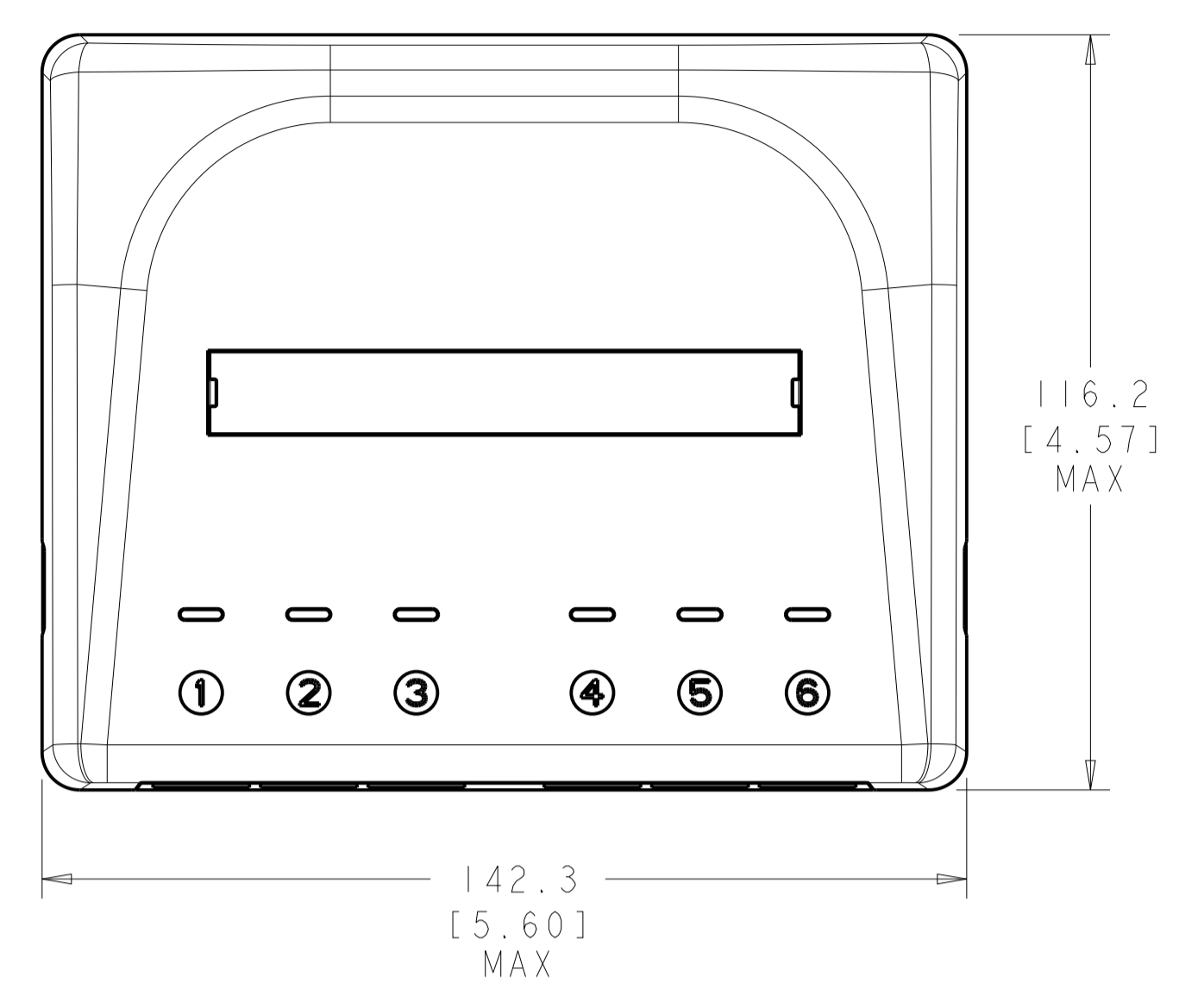
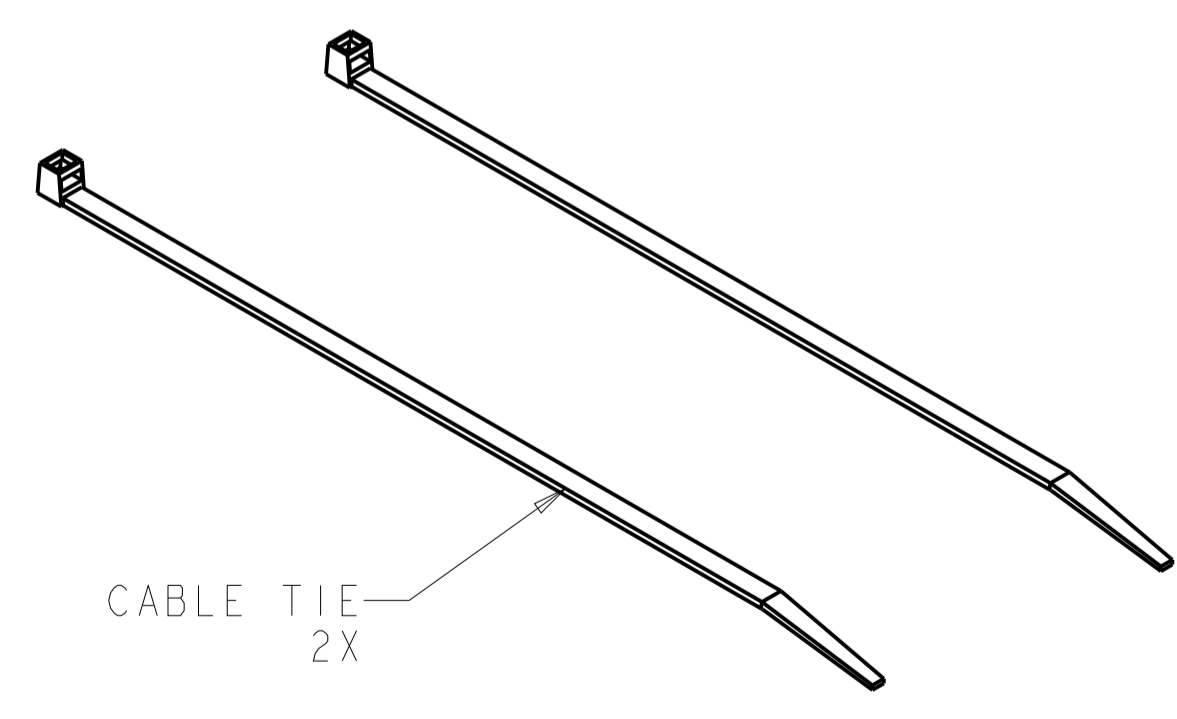
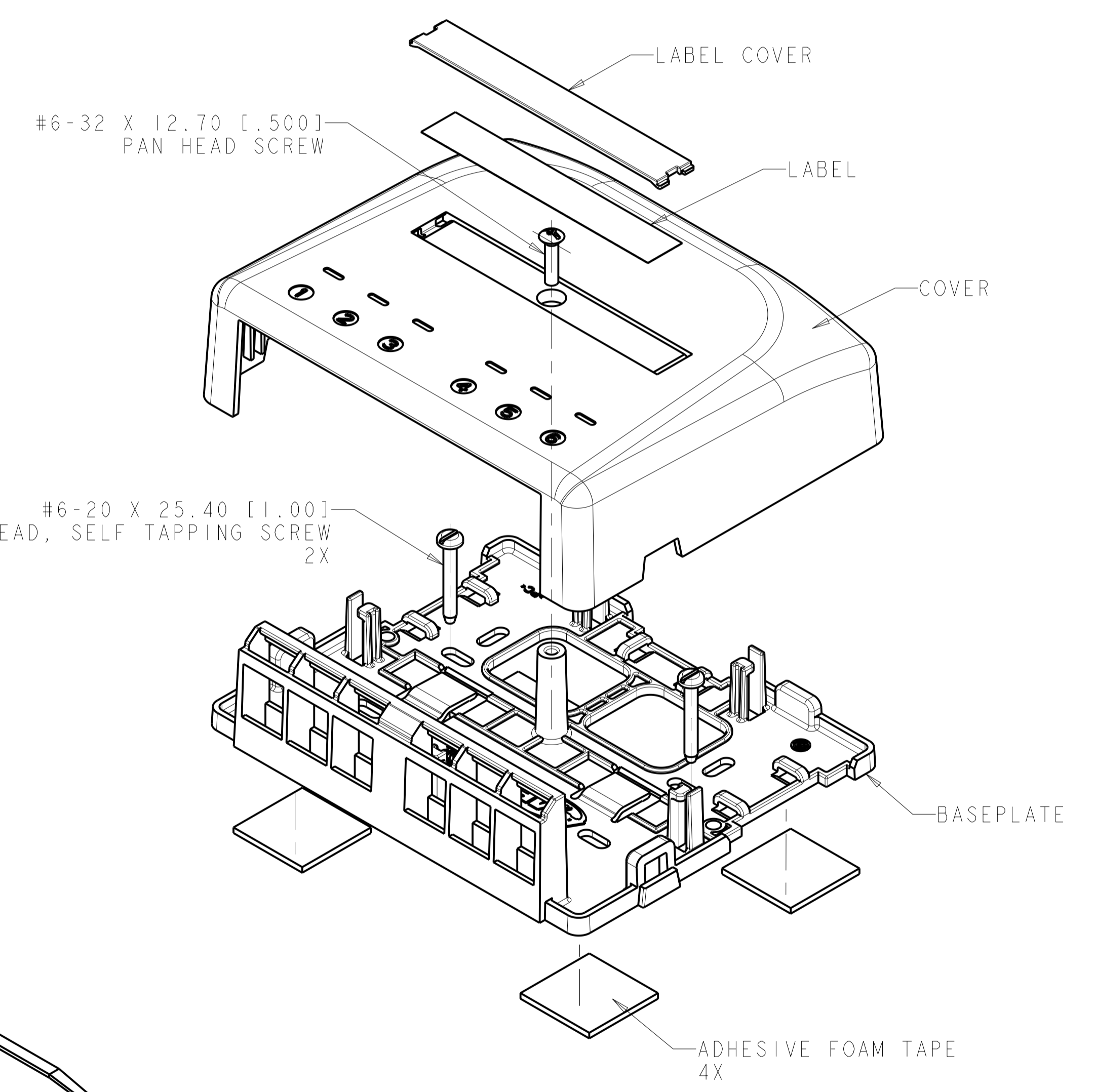


REVISIONS				
REV	DATE	DESCRIPTION	BY	APP'D
B	10 JUN2010	REV; ECO-10-012110	GG	RA
C	04 AUG2011	REV ECO-11-015902	LH	RA
D	09 NOV2015	REV; MCO-40026185MCO	HG	LS
E	02FEB2017	REV PER BNS_CD_BRAND	GG	DC



- △ MATERIAL: BASE & COVER - POLYCARBONATE MOLDING COMPOUND. SEE TABLE FOR COLOR.
 LABEL COVERS - POLYCARBONATE MOLDING COMPOUND.
 LABELS - WHITE INDEX PAPER.
 SCREWS - ZINC PLATED CARBON STEEL.
 FOAM TAPE - POLYETHYLENE
 CABLE TIE - NYLON 6/6
- THIS KIT SHIPPED NOT ASSEMBLED.
 - ACCEPTS ANY COMBINATION OF SL-SERIES, AND AMP-TWIST MODULAR JACKS, MT-RJ OUTLET JACKS AND SL SERIES MULTI MEDIA INSERTS.
 - BASE ACCEPTS TWO MAGNETS FOR OPTIONAL MOUNTING TO METAL SURFACE. MAGNET (1933677-1) PURCHASED SEPARATELY.



ALPINE WHITE	1-1933674-3
ELECTRIC IVORY	1-1933674-1
NEMA GRAY	1933674-4
BLACK	1933674-2
LIGHT ALMOND	1933674-1
COLOR	PART NUMBER

THIS DRAWING IS A CONTROLLED DOCUMENT.		OWN	J. MCNEAL	30JUN2008
DIMENSIONS: mm [INCHES]		CHK	S. TOBEY	30JUN2008
TOLERANCES UNLESS OTHERWISE SPECIFIED:		APP'D	S. TOBEY	30JUN2008
0 PLC	±	PRODUCT SPEC		
1 PLC	±.25	APPLICATION SPEC		
2 PLC	±	WEIGHT		
3 PLC	±	SCALE		
4 PLC	±	SHEET		
ANGLES	±0.2°	REV		
MATERIAL		Customer Drawing		
FINISH		A1		
Customer Drawing		COMMSCOPE, INC.		
Customer Drawing		KIT, 6 PORT SURFACE MOUNT MODULE		
Customer Drawing		C=1933674		
Customer Drawing		SCALE 1:2 SHEET 1 OF 1 REV E		

X-ON Electronics

Largest Supplier of Electrical and Electronic Components

Click to view similar products for [Ethernet Modules](#) category:

Click to view products by [TE Connectivity](#) manufacturer:

Other Similar products are found below :

[TDKEZW3](#) [V23993-USB1029A](#) [100-POE4](#) [I210T1BLK](#) [X520QDA1](#) [BCM84794A1KFSBG](#) [X520DA2OCP](#) [808-38157](#) [7506GX2](#) [TC](#)
[EXTENDER 2001 ETH-2S](#) [105FX-SC-MDR](#) [110FX2-SC](#) [BCM54291B0IQLEG](#) [7000-P3201-P050150](#) [750-1415](#) [750-494](#) [750-495](#) [750-612](#)
[750-613](#) [750-627](#) [750-643](#) [750-940](#) [753-440](#) [753-540](#) [753-650/003-000](#) [852-1322](#) [852-1328](#) [852-1812](#) [852-1813](#) [852-1816](#) [LANTICK PE-](#)
[0-16](#) [LANTICK PE-16-0](#) [RBMTXLITE-L4X2.X.X.X.X.](#) [USR-TCP232-T2](#) [2017008](#) [EKI-7708E-4F-AE](#) [EKI-7708E-4FP-AE](#) [EKI-7708G-](#)
[4FP-AE](#) [2352903-2](#) [753-620](#) [EGU-0702-SFP-T](#) [SW-125](#) [SW-525](#) [SW-725](#) [1005957](#) [1006191](#) [304TX-N](#) [WIZ107SR_TTL](#) [ES-320](#)
[TDKEZW5](#)