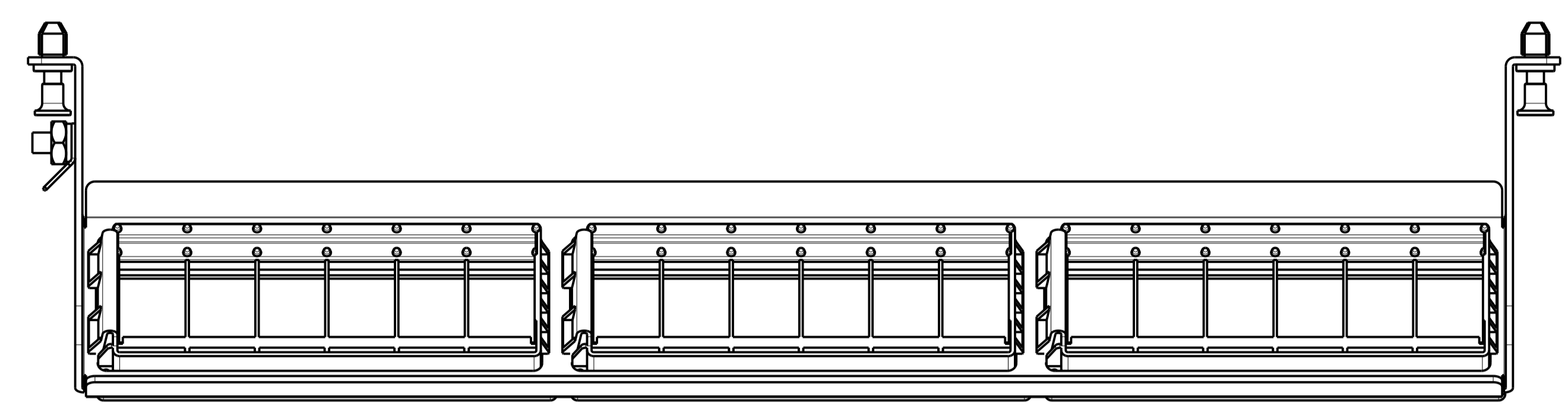
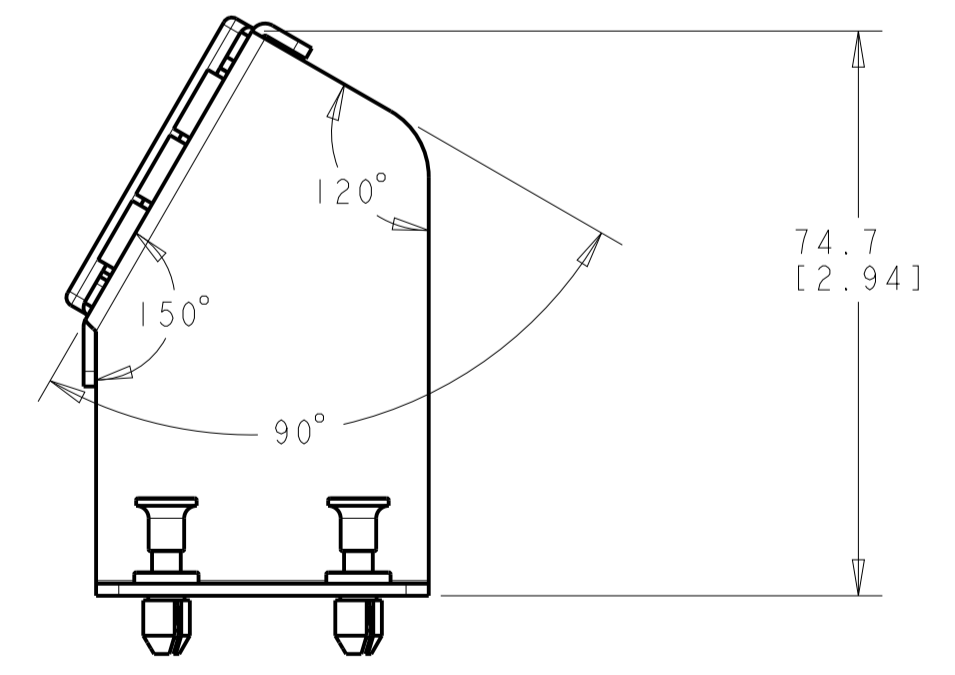
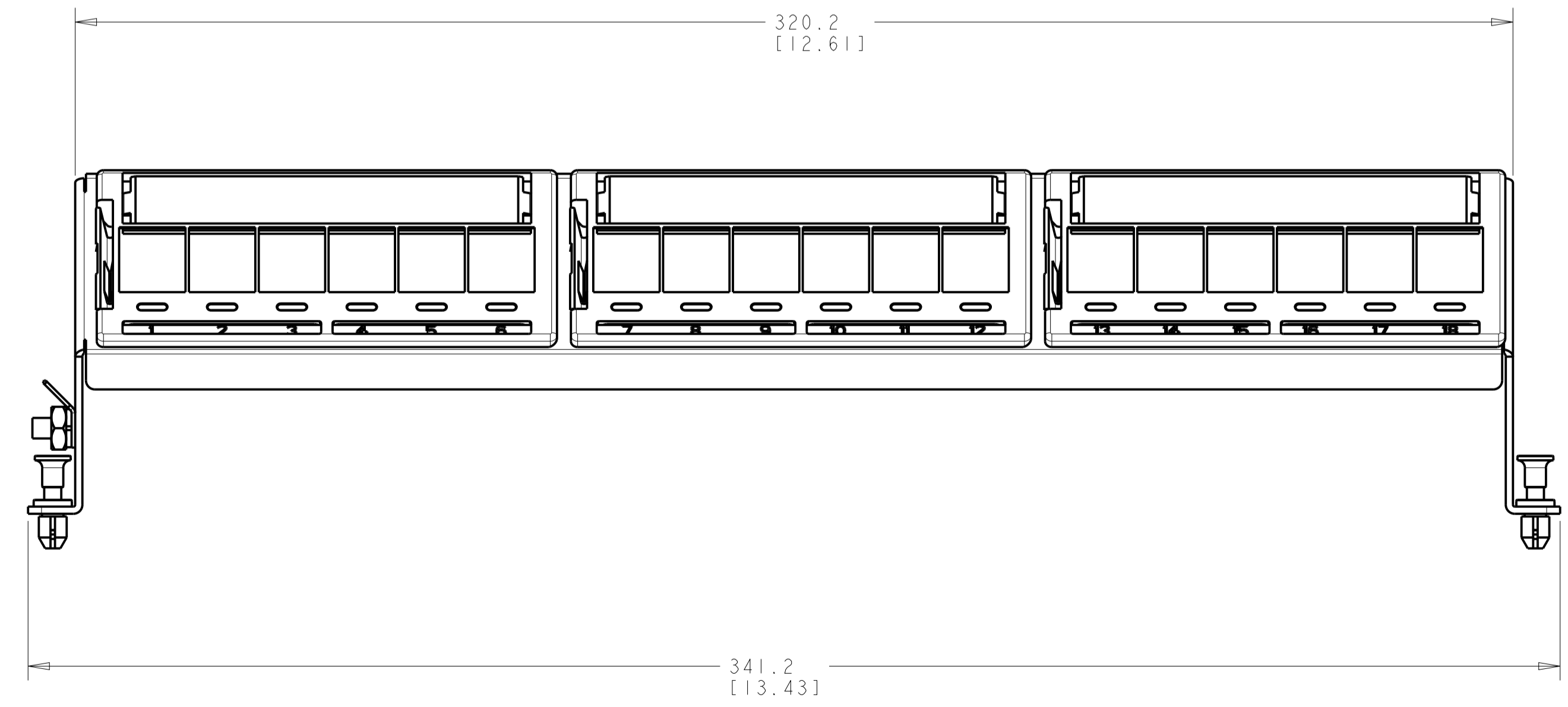
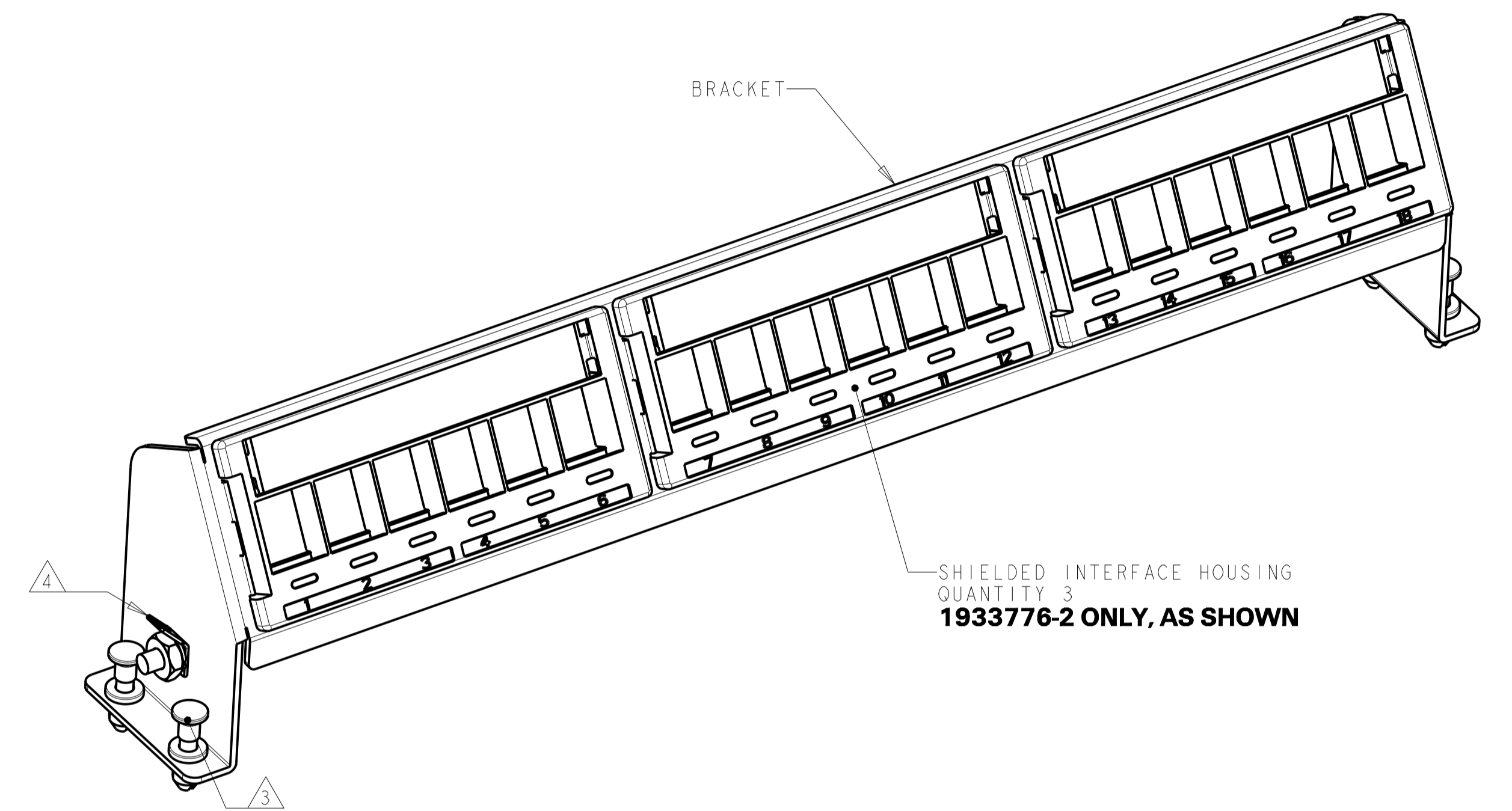
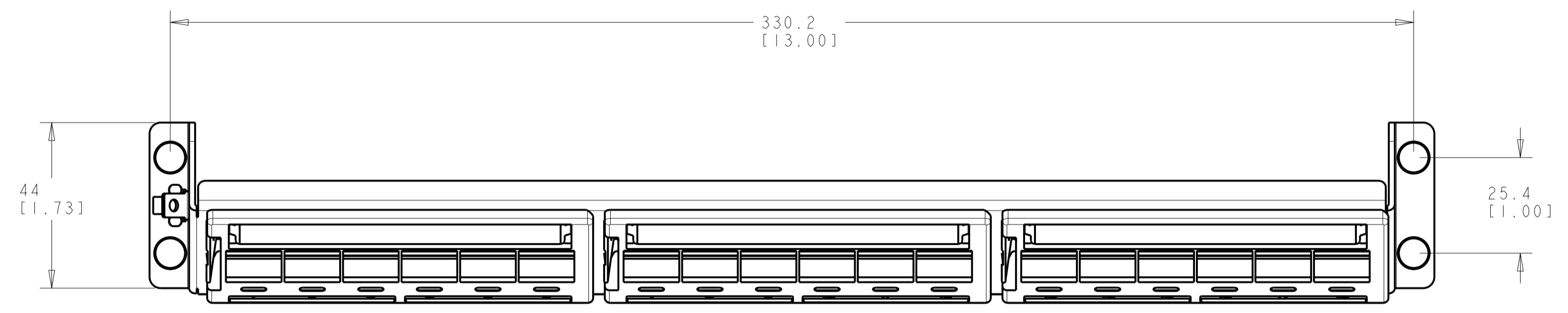


REVISIONS				
REV	LTN	DESCRIPTION	DATE	APPV
D		REV; ECO-09-018796	19AUG2009	JB SH
E		REV; ECO-13-018566	24FEB2014	JB SH
F		REV; ECO-14-018895	22DEC2014	GG LS
G		REV PER BNS_CD_BRAND	02FEB2017	GG DC



- 1 MATERIAL: BRACKET - SPCC 1=1.6 BLACK COATING FINISHED. INTERFACE HOUSING -POLYPHENYLENE, BLACK.
- 2 ALL DIMENSIONS SHOWN ARE NOMINAL.
- 3 4 PUSH PINS INCLUDED.
- 4 250 SERIES ANGLED FASTON GROUNDING TAB, .250" WIDE.
- 5 1933776-1 DOES NOT INCLUDE (3) SHIELDED INTERFACE HOUSINGS.
- 6 FOR 1933776-2 ONLY, PRINTABLE LABEL SHEET AND CLEAR LABEL COVERS PACKAGED LOOSE. PORT ID NUMBER STRIPS COME INSTALLED.
- 7 GROUNDING STRAP, 14 INCH, INCLUDED AS LOOSE ITEM. .250 SERIES FASTON RECEPTACLE ON EACH END.



OBSOLETE	1	2	3	4	1933776-2
	1	2	3	4	1933776-1
PART NUMBER					

THIS DRAWING IS A CONTROLLED DOCUMENT.		DWN G. GARRETT 11JUN2008	COMMSCOPE, INC.	
DIMENSIONS: MM [INCH]		CHK S. HERNDON 11JUN2008	NAME 14 INCH ANGLED BRACKET, RESIDENTIAL, SHIELDED	
TOLERANCES UNLESS OTHERWISE SPECIFIED:		APPV S. HERNDON 11JUN2008	PRODUCT SPEC	
0 PLC	±	APPL	APPLICATION SPEC	
1 PLC	±	WT	WEIGHT	
2 PLC	±	SCALE	SCALE	
3 PLC	±	SHEET	SHEET	
4 PLC	±	OF	OF	
ANGLES	±	REV	REV	
MATERIAL	△	Customer Drawing	G	

X-ON Electronics

Largest Supplier of Electrical and Electronic Components

Click to view similar products for [Modular Connectors / Ethernet Connectors](#) category:

Click to view products by [TE Connectivity](#) manufacturer:

Other Similar products are found below :

[8949-H88/06BLKA/SN](#) [74441-0010/BKN](#) [MP1010RX-1000](#) [MP44RX-1000](#) [PHJ-4P4C-1-V-4](#) [PHP-6P6C-5](#) [GAX-3-66](#) [GAX-8-62](#) [GDCX-PA-66-50](#) [GDCX-PN-64](#) [GDCX-PN-66](#) [GDCX-PN-66-50](#) [GDLX-A-66](#) [GDLX-N-66](#) [GDLX-S-66](#) [GDLX-S-88K](#) [GDLX-SMT-S-88](#) [GDTX-S-88-50](#) [GDX-PA-1010](#) [GLX-N-1010M-BLK](#) [GLX-S-88M-BLK](#) [GMX-N-1010](#) [GMX-S-1010](#) [GMX-S-66](#) [GMX-SMT4-N-88](#) [GPX-2-64](#) [GSGX-N-2-88](#) [GSGX-N-4-88](#) [GSX-NS2-88-3.05](#) [GSX-NS2-88-3.05-50](#) [GSX-NS-88-3.05-50](#) [PT-108A-8C-UL](#) [PT-J951-8C](#) [PTS-J531-8CS-50UL](#) [1-1775629-2](#) [A-2014-0-4](#) [GWLX-S-88-GR](#) [GWLX-S9-88-YG](#) [DC-1021-8-WH-6](#) [1300530003](#) [1324640-4](#) [RJ11FTVC2G](#) [RJ11FTVC2N](#) [RJFTVX2SA1G](#) [132764-001](#) [1413235](#) [MP88X-1000](#) [MPS88RX-5000](#) [E5288-S000K3-L](#) [E5908-15A242-L](#)