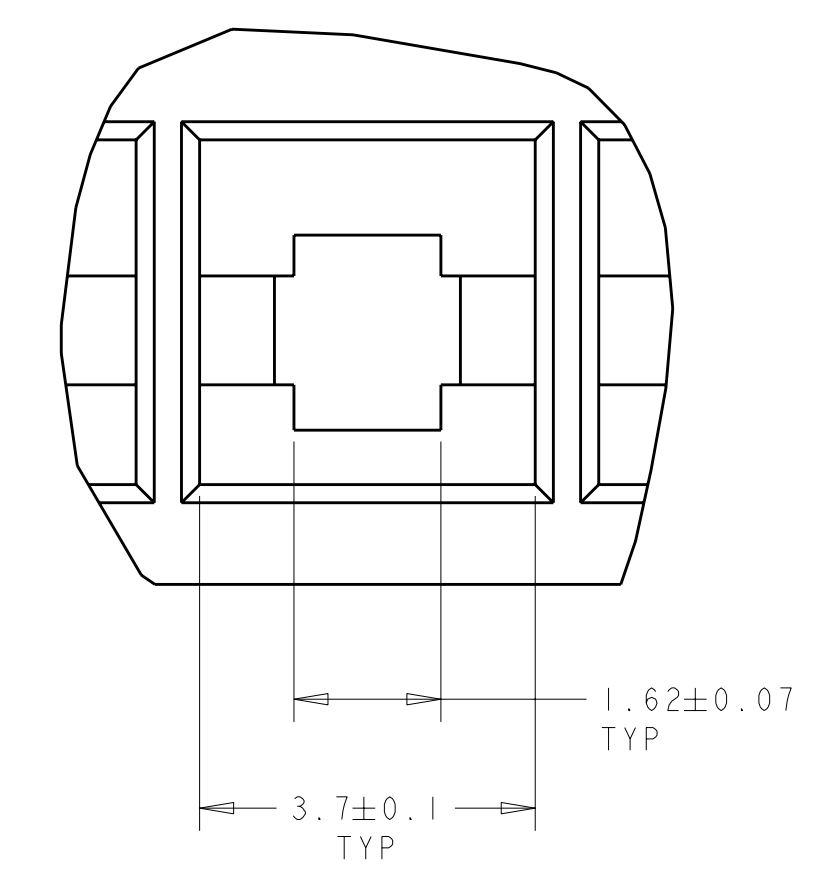
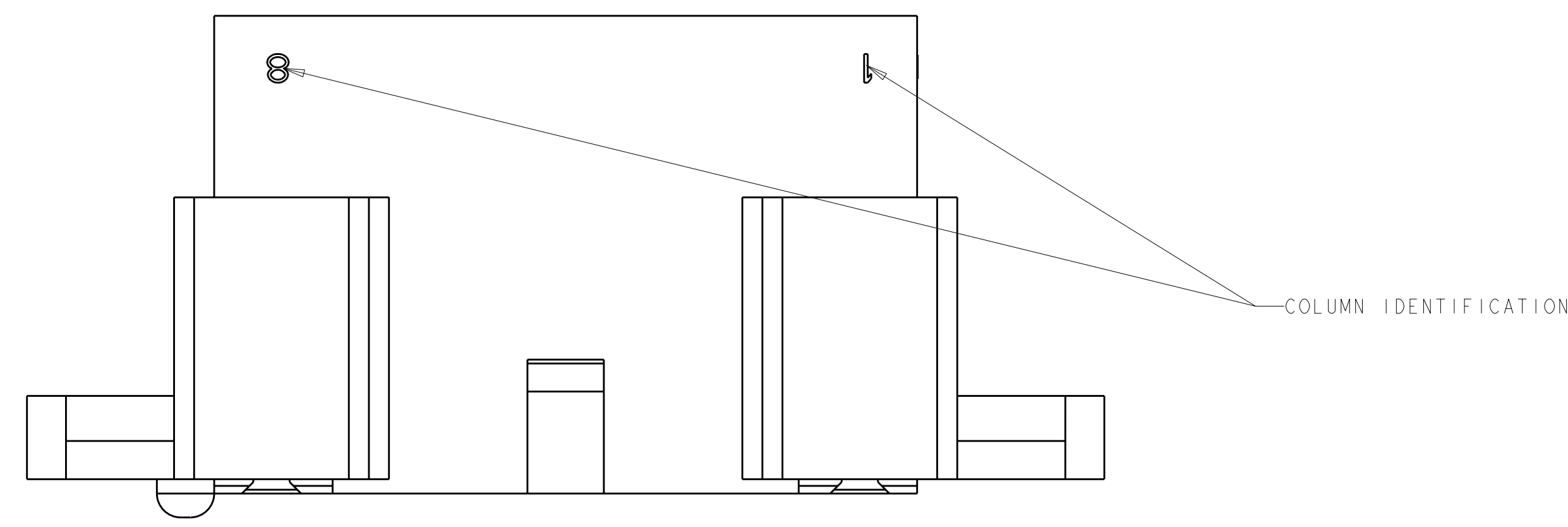
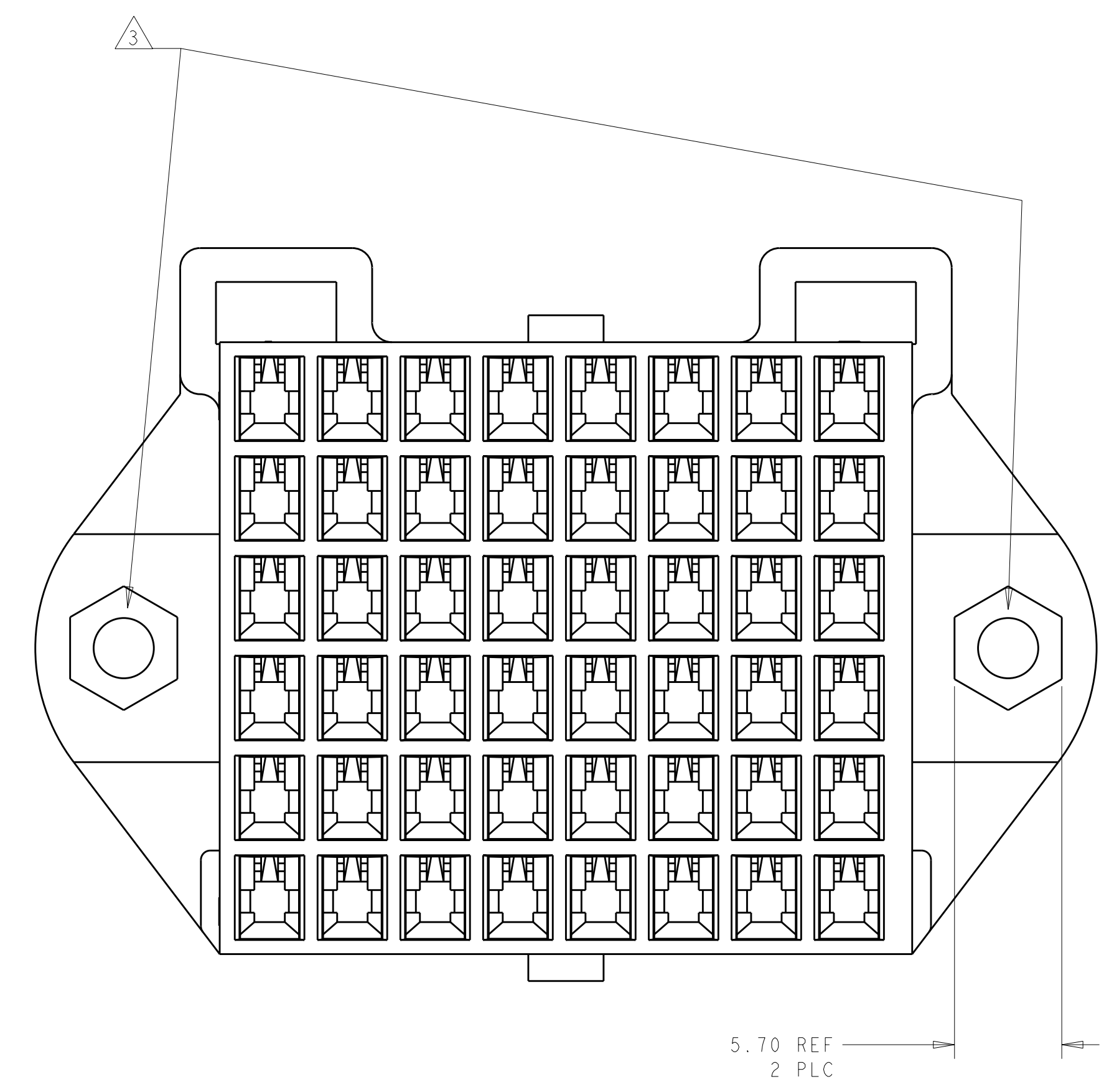
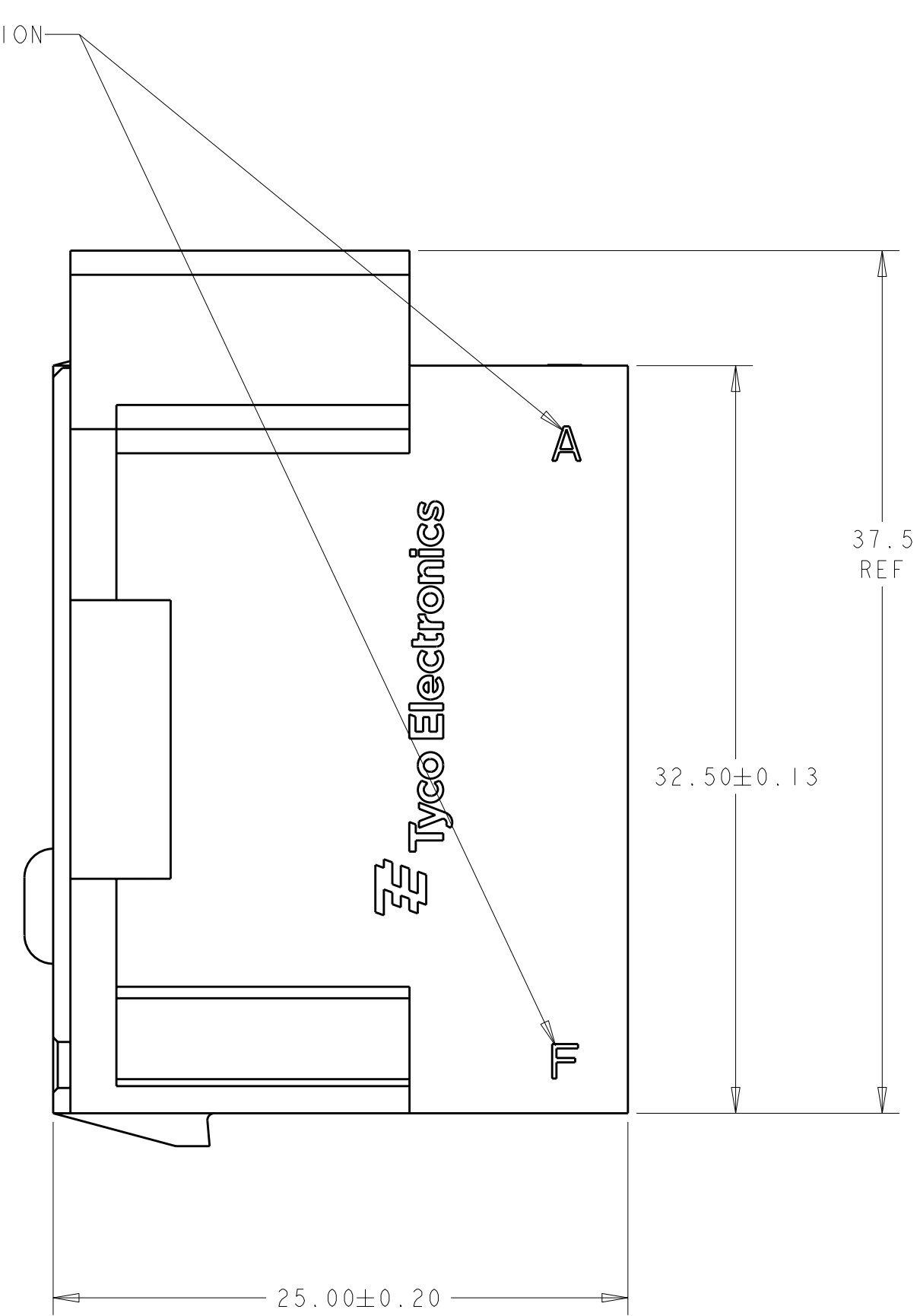
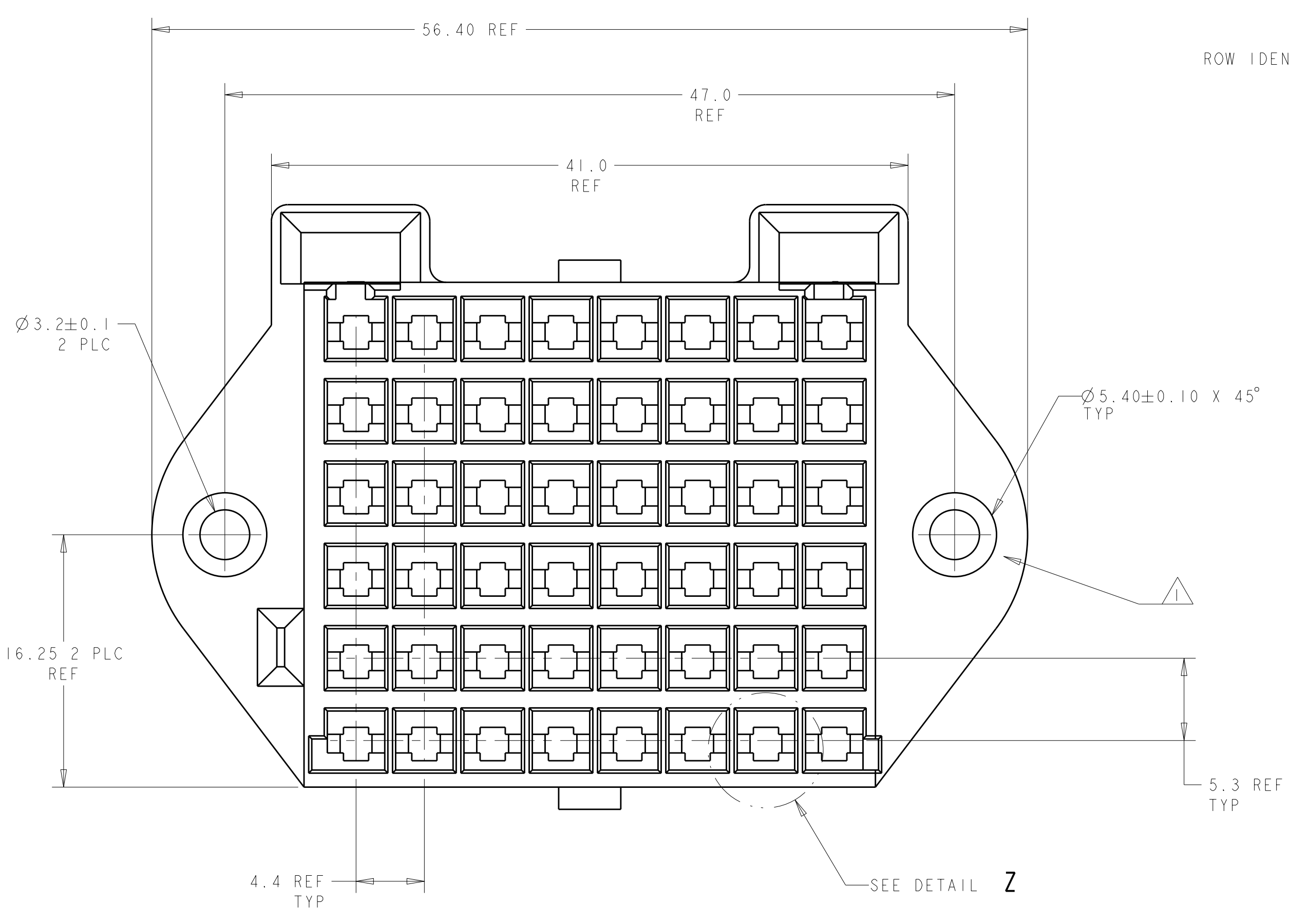


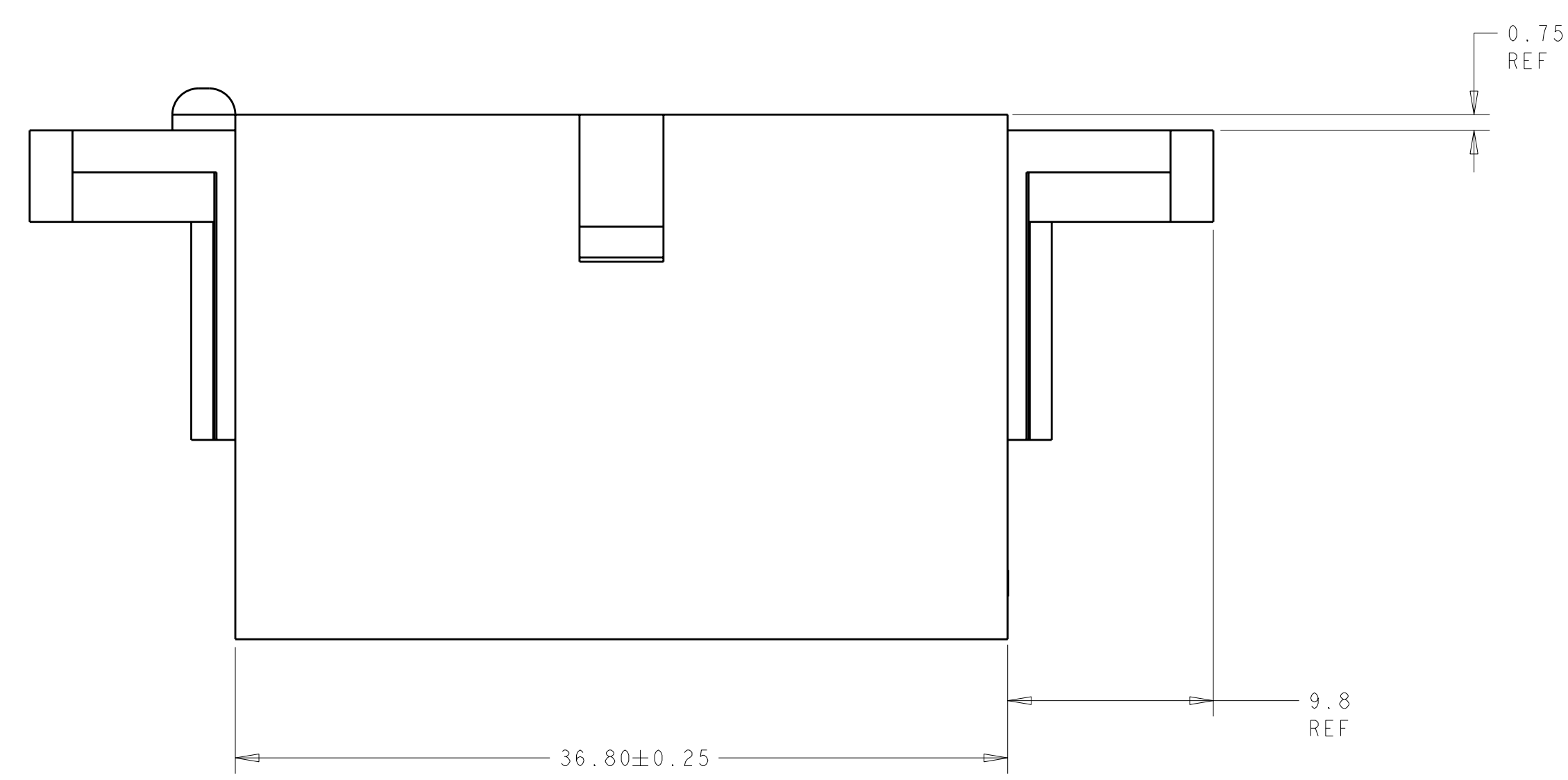
LOC	DIST	REVISIONS					
AD	00	P	LTN	DESCRIPTION	DATE	DWN	APVD
		A		RELEASED PER ECO-07-017382	01AUG2007	WS	AF
		B		REV PER ECO-07-018771	09AUG2007	WS	AF



DETAIL Z
SCALE 12:1



- △ PBT UL94V-0.
- 2. ALL SHARP CORNERS ON PANEL CUT-OUT MAY HAVE A R0.1 MAX.
- △3 ALLOWS FOR A STYLE I M3 HEX NUT.



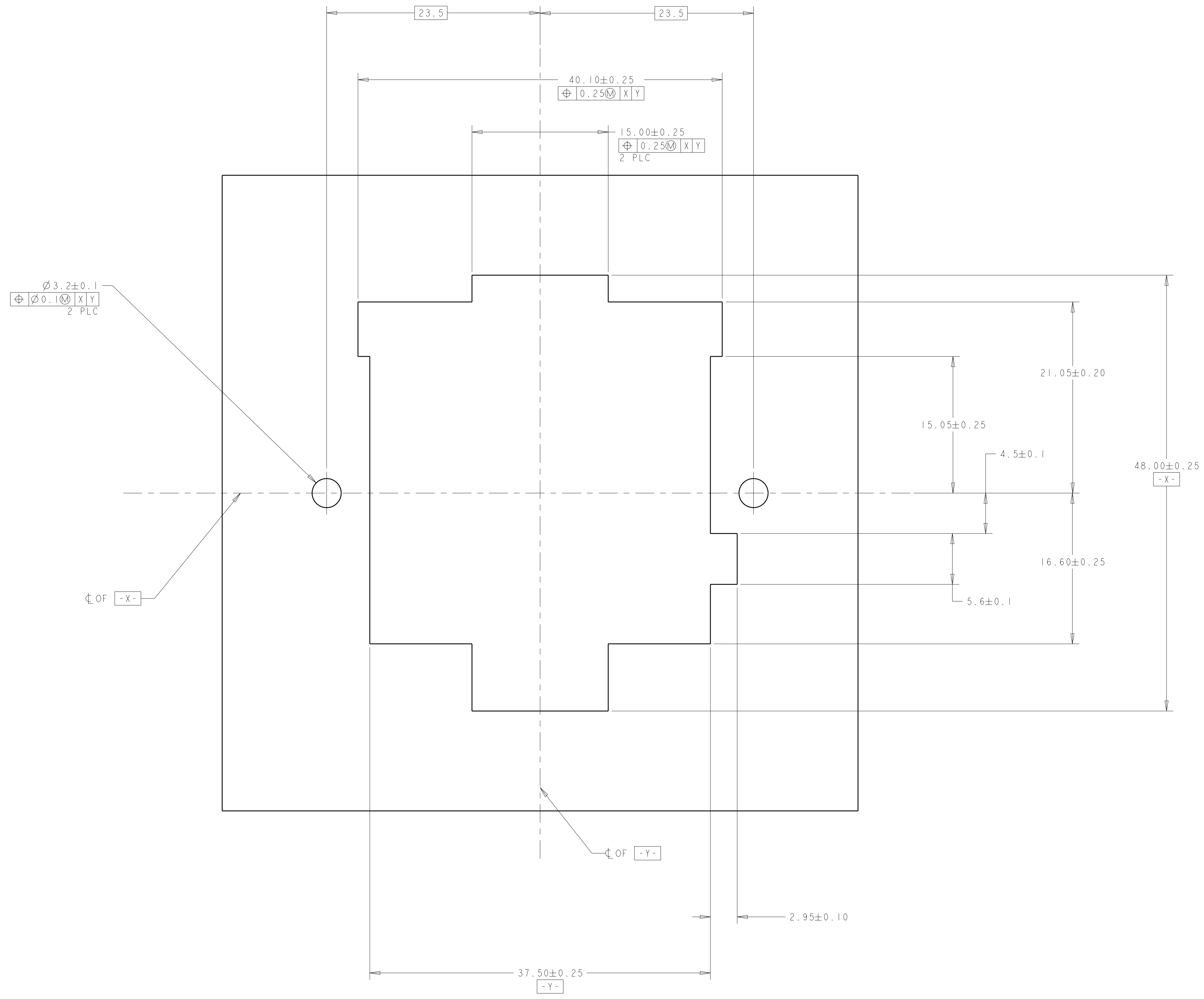
**THIS PRODUCT HAS NOT COMPLETED
VALIDATION TESTING**

1934142-1
PART NUMBER

DIMENSIONS: mm		TOLERANCES UNLESS OTHERWISE SPECIFIED: 9 PLC ± 1 PLC ± 2 PLC ± 3 PLC ± 4 PLC ± ANGLES ± FINISH ±		DWN C. RITTER 01FEB2006 CHK - 01FEB2006 APVD -	Tyco Electronics Harrisburg, PA 17105-3608
MATERIAL - FINISH -		PRODUCT SPEC 108-2248 APPLICATION SPEC 114-13195 WEIGHT -		NAME 48 POSITION PLUG HOUSING AMP-DUAC UPC SIZE CAGE CODE DRAWING NO. 114-13195 RESTRICTED TO A100779C=1934142	
CUSTOMER DRAWING				SCALE 1:1	SHEET 1 OF 2 REV B

LOC	DIST	REV	DATE	BY	APPD
AD	00				

REVISIONS					
REV	DATE	DESCRIPTION	BY	APPD	REV
-	-	SEE SHEET 1	-	-	-



THIS PRODUCT HAS NOT COMPLETED
 VALIDATION TESTING

DIMENSIONS: mm 		TOLERANCES UNLESS OTHERWISE SPECIFIED: 0 PLC ± 1 PLC ± 2 PLC ± 3 PLC ± 4 PLC ± ANGLES ± FINISH ±		DWN: C. RITTER 01FEB2006 CHK: - 01FEB2006 APVD: - PRODUCT SPEC: 108-2248 APPLICATION SPEC: 114-13195 WEIGHT: - CUSTOMER DRAWING	Tyco Electronics Harrisburg, PA 17105-3608 NAME: 48 POSITION PLUG HOUSING AMP-DUAC UPC SIZE: A 00779 C=1934142 SCALE: 4:1 SHEET 2 OF 2 REV B
-----------------------	--	---	--	---	--

X-ON Electronics

Largest Supplier of Electrical and Electronic Components

Click to view similar products for [Heavy Duty Power Connectors](#) category:

Click to view products by [TE Connectivity](#) manufacturer:

Other Similar products are found below :

[647757-1](#) [6643411-1](#) [6646058-2](#) [6646137-1](#) [6646138-1](#) [6646479-1](#) [6646608-1](#) [6646786-1](#) [6646940-1](#) [6651091-1](#) [6651525-1](#) [6651529-1](#)
[6651788-1](#) [696475-1](#) [702-32-01109](#) [703-25-02205](#) [73000005059](#) [73000005642](#) [73080255059](#) [73080965046](#) [765-15-0080A](#) [765-16-0080B](#)
[765-18-0080D](#) [829992-1](#) [902-77-02113](#) [PS00/A0620/6300](#) [PS25/A0420/63](#) [129-1J](#) [1409400](#) [AN0024023](#) [E6374G1](#) [e6389g2](#) [157-43GW8](#)
[MS3117-14AC](#) [1643543-1](#) [1650540-1](#) [1651811-2](#) [1766260-1](#) [1766282-1](#) [1766966-1](#) [1791340000](#) [NLDFT-3-BL-L-S120-M40A](#) [NLDFT-N-](#)
[W-L-C240-M40B](#) [NLS-2-R-C240-M40B](#) [NLS-N-W-C240-M40B](#) [NPS-3-BL-T6](#) [1986615-1](#) [2-1589900-8](#) [2199314-1](#) [KA8102](#)