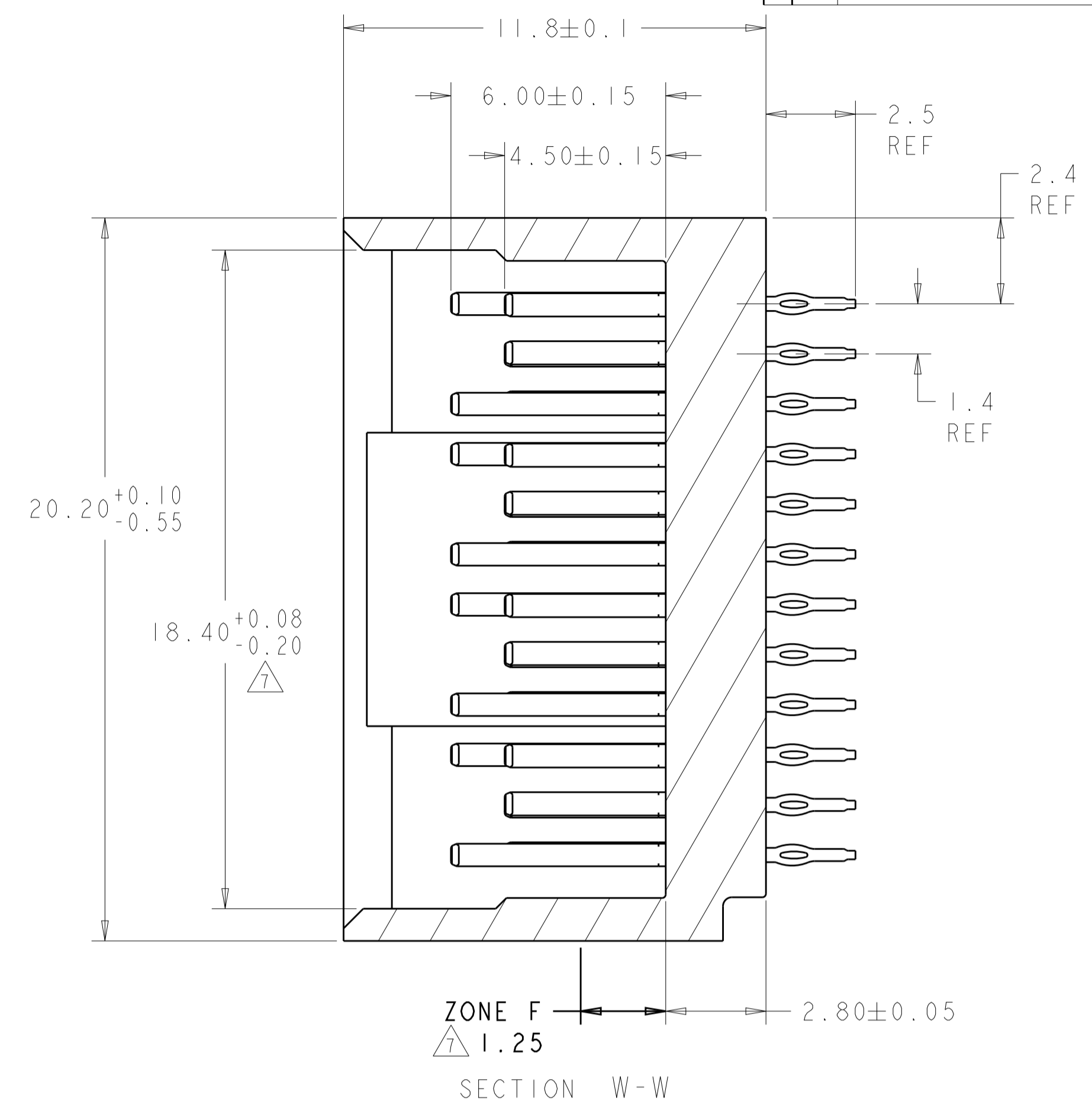
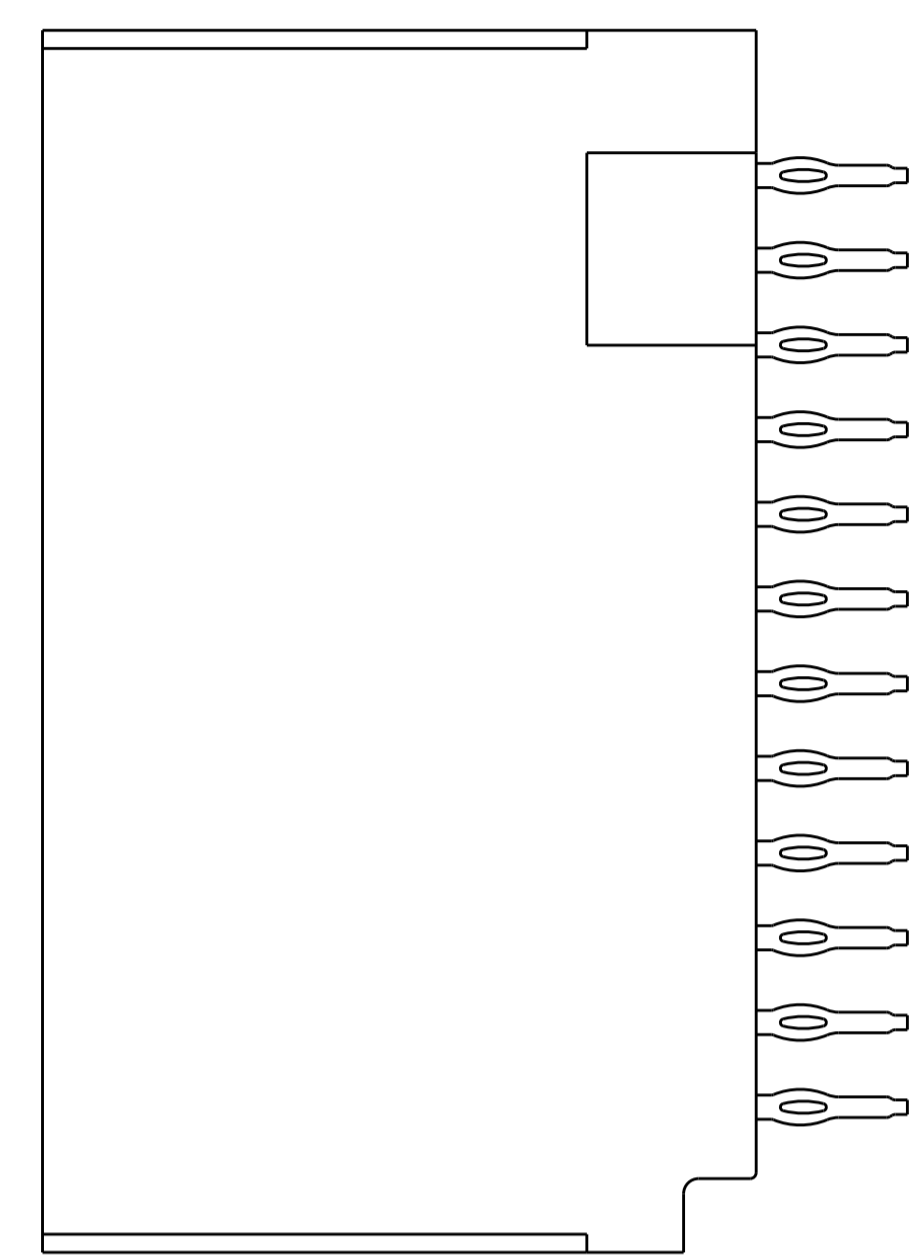
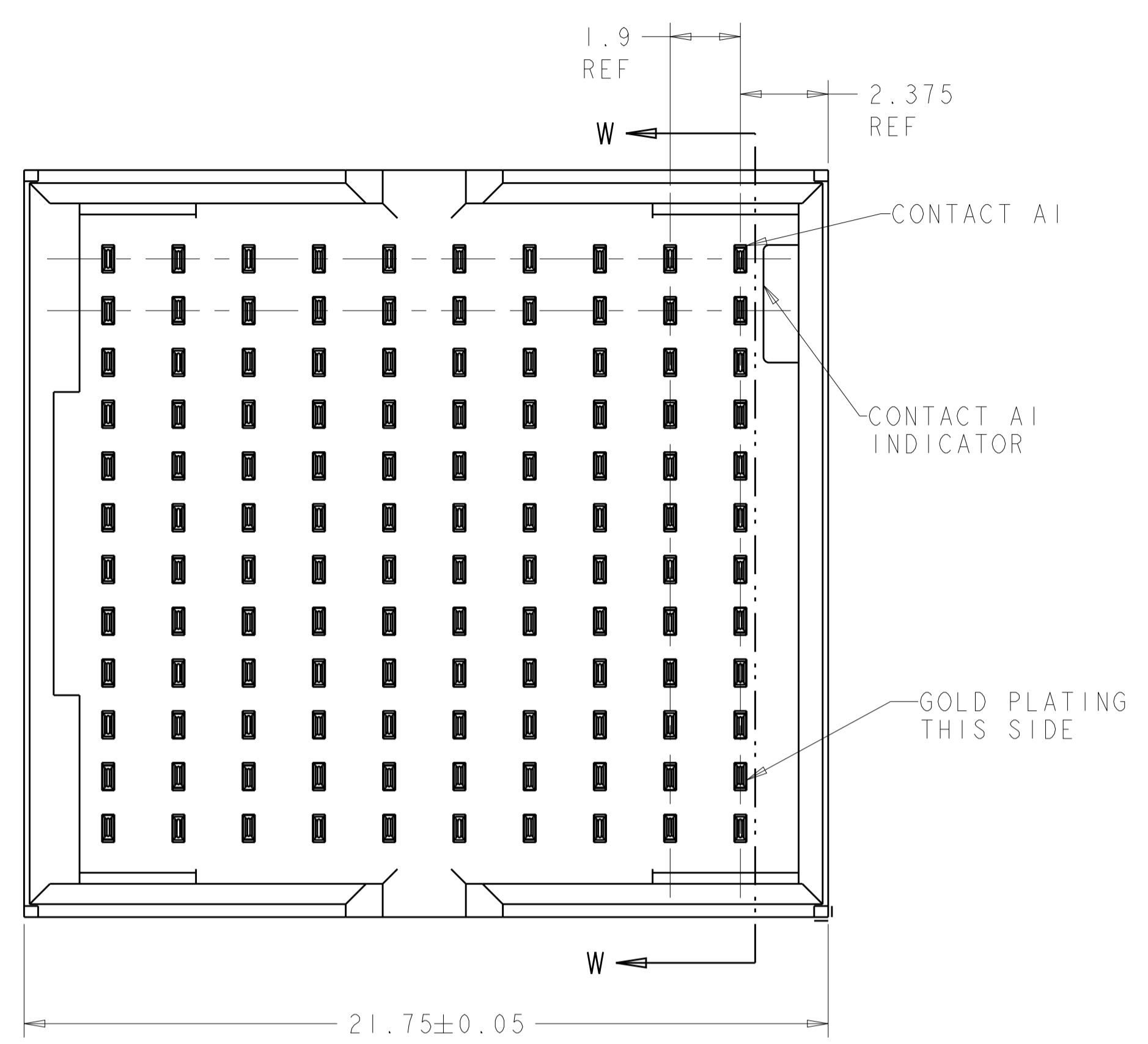
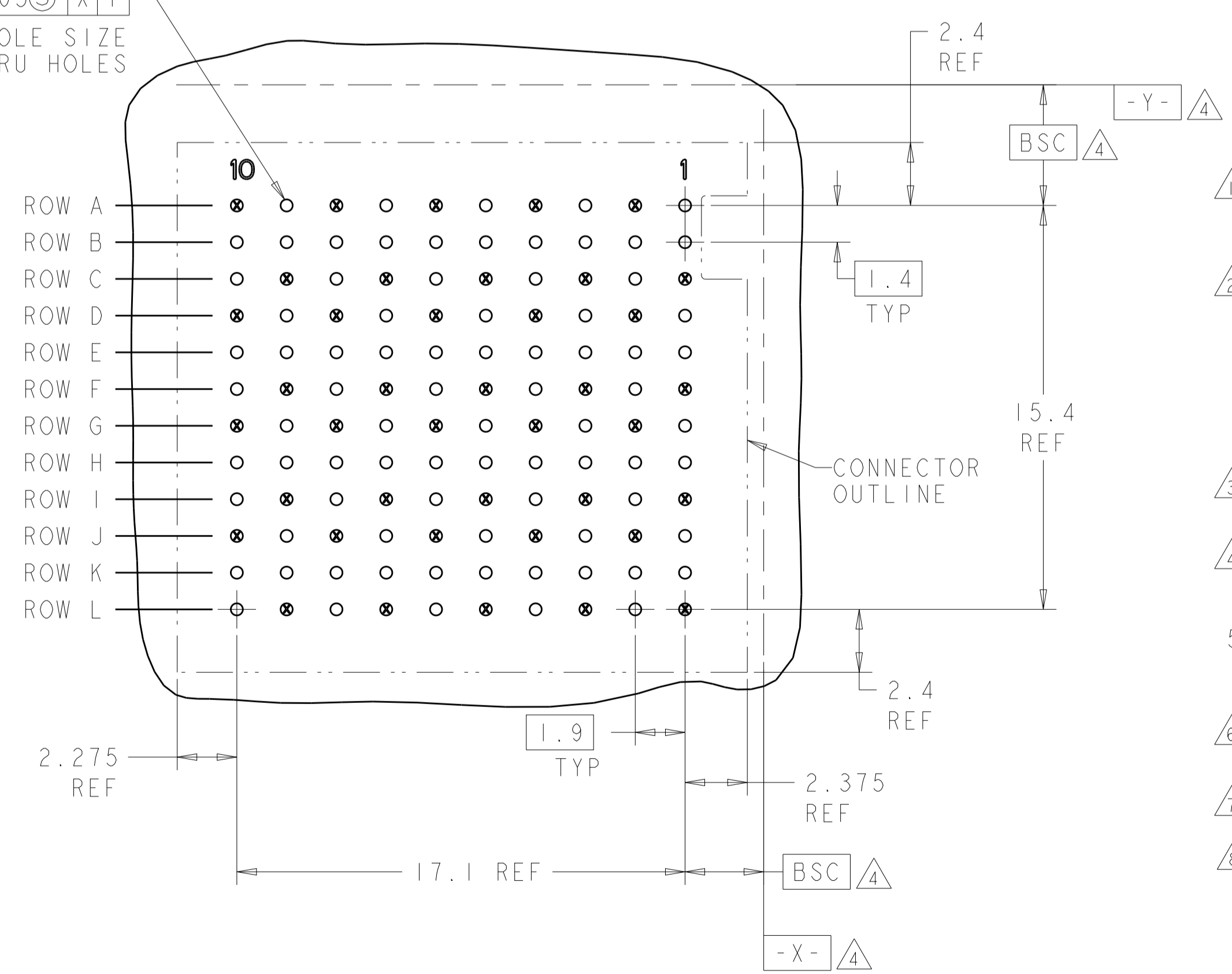
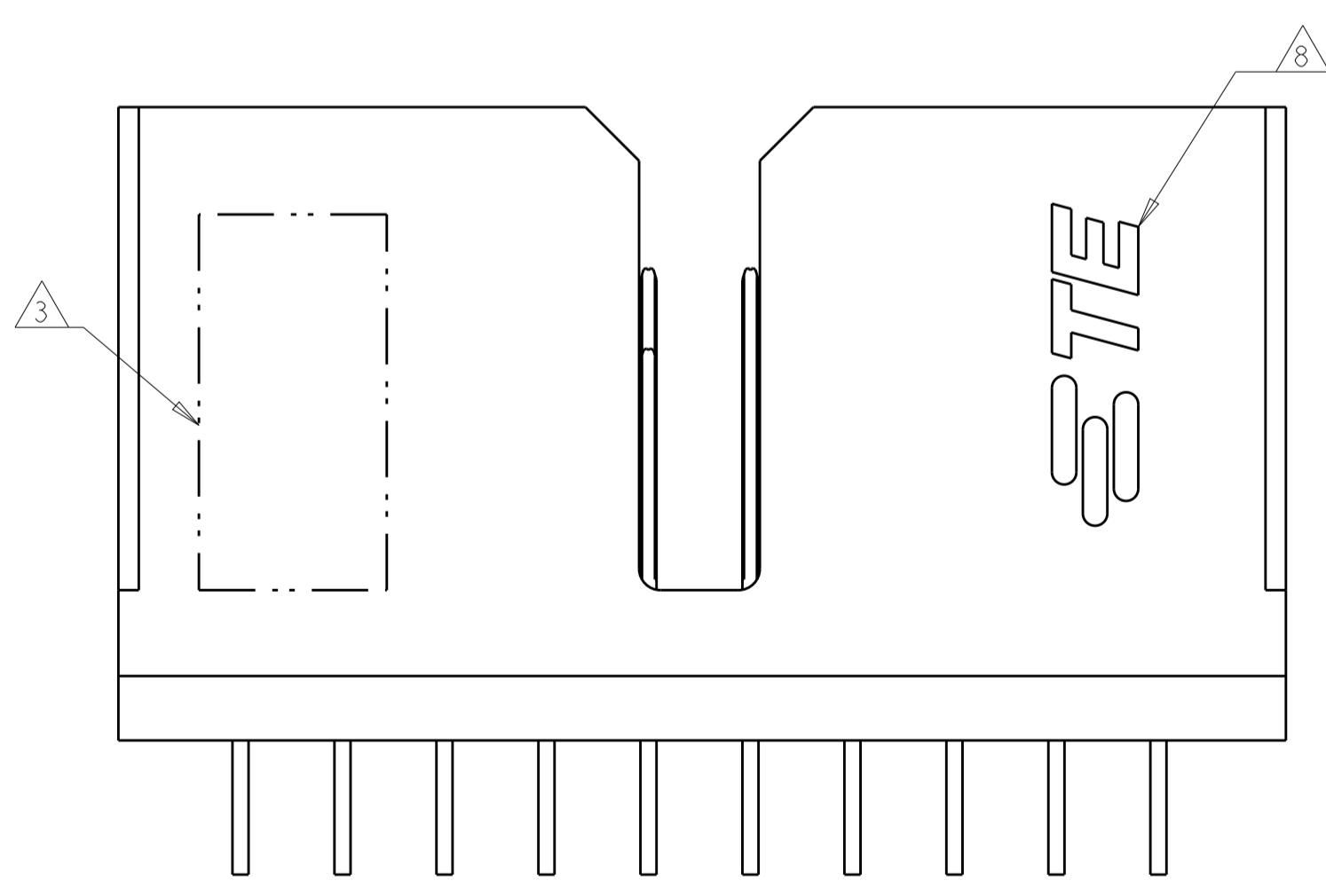


LOC		DIST		REVISIONS			
GP	00	REV	DATE	BY	CHK	APP	REV
		F	31JUL2013	KH	RP		
		G	28JUN2019	AP	SY		



⊕ Ⓞ 0.05 Ⓢ X Y
FINISHED HOLE SIZE AND PLATED THRU HOLES



- 1 MATERIAL:
CONTACT - PHOS BRONZE
HOUSING - LCP, UL 94V-0, COLOR - BLACK
- 2 FINISH:
CONTACT AREA FINISH CONFORMS TO THE REQUIREMENTS OF TE PRODUCT SPECIFICATION 108-2303; BASED ON TELCORDIA GR-1217-CORE FOR SYSTEM QUALITY LEVEL III, APPLICATIONS IN CONTROLLED ENVIRONMENTS (CENTRAL OFFICE).
COMPLIANT PIN AREA- 0.5µm MIN MATTE TIN OVER 1.27µm MIN NICKEL.
- 3 CONNECTOR MARKED WITH PART NUMBER, DATE CODE AND STANDARD IN APPROXIMATE AREA SHOWN
- 4 DATUMS AND BASIC DIMENSIONS ESTABLISHED BY CUSTOMER.
- 5 CONTACT AREA LUBRICATED WITH BELLCORE APPROVED LUBRICANT. TECHNICAL REFERENCE GR-1217-CORE, ISSUE 1, NOVEMBER 1995.
- 6 REFERENCE APPLICATION SPEC 114-13202 FOR RECOMMENDED PLATED THRU HOLE DIAMETER AND PLATING THICKNESSES.
- 7 DIMENSION TO BE MEASURED IN ZONE F
- 8 SHOWN LOGO OR OTHER TE OWNED LOGOS IN APPROXIMATE AREA.

○ = SIGNAL
⊗ = GROUND
RECOMMENDED PC BOARD LAYOUT BACKPLANE, COMPONENT SIDE SHOWN
SCALE 6:1

1934312-1
PART NUMBER

THIS DRAWING IS A CONTROLLED DOCUMENT.		OWN B. MCMASTER 14JUN2007	DATE	1934312-1	
DIMENSIONS:		CHK W. DAVIS 14JUN2007	DATE	TE Connectivity	
TOLERANCES UNLESS OTHERWISE SPECIFIED:		APVD W. DAVIS 14JUN2007	DATE	NAME HEADER ASSEMBLY, DOUBLE WALL, 4 PAIR 10 COLUMN TinMan	
mm	0 PLC ±	PRODUCT SPEC	SIZE	CAGE CODE	DRAWING NO
⌀	1 PLC ±	APPLICATION SPEC	A1	00779	1934312
Ⓢ	2 PLC ±	WEIGHT	RESTRICTED TO		
Ⓢ	3 PLC ±	CUSTOMER DRAWING	SCALE 8:1 SHEET 1 OF 1 REV G		
Ⓢ	4 PLC ±				
ANGLES	±				
FINISH	±				

X-ON Electronics

Largest Supplier of Electrical and Electronic Components

Click to view similar products for [High Speed/Modular Connectors](#) category:

Click to view products by [TE Connectivity](#) manufacturer:

Other Similar products are found below :

[650827-1](#) [74040-1346](#) [1410191-1](#) [1410368-3](#) [1410964-2](#) [1410326-3](#) [1410367-3](#) [1410971-4](#) [1467833-1](#) [2000877-1](#) [2000878-1](#) [2041314-1](#)
[2065387-1](#) [2187307-1](#) [163P](#) [1934290-1](#) [2000875-1](#) [2065917-1](#) [2102736-2](#) [FSR-40](#) [2169868-2](#) [22354-8](#) [437-5040-000](#) [5-1393565-0](#) [039-](#)
[0246-000](#) [0740618502](#) [0761601016](#) [0784461022](#) [10123159-12ELF](#) [030-2415-003/100 PK](#) [030-7380-004](#) [030-2494-001](#) [532939-1](#) [5532901-](#)
[3](#) [3-1469268-7](#) [74748-102LF](#) [10041743-101LF](#) [10066670-100002LF](#) [1-533915-1](#) [249-4515-000](#) [7-1469373-3](#) [DL2-2J/S](#) [2000713-8](#)
[2000713-7](#) [10124313-101LF](#) [3011-21](#) [757105208](#) [430305-001](#) [4395800100](#) [8140115](#)