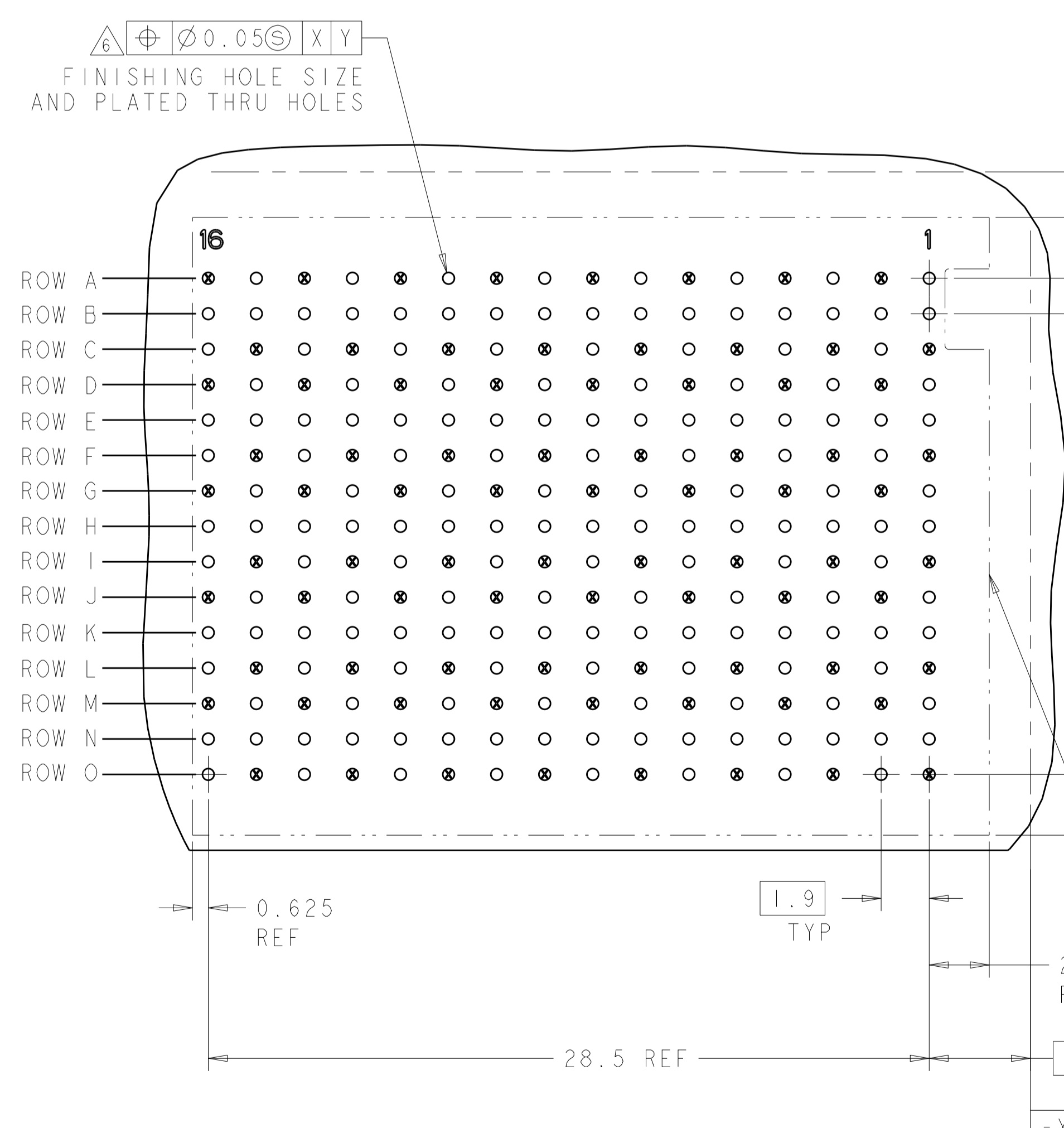
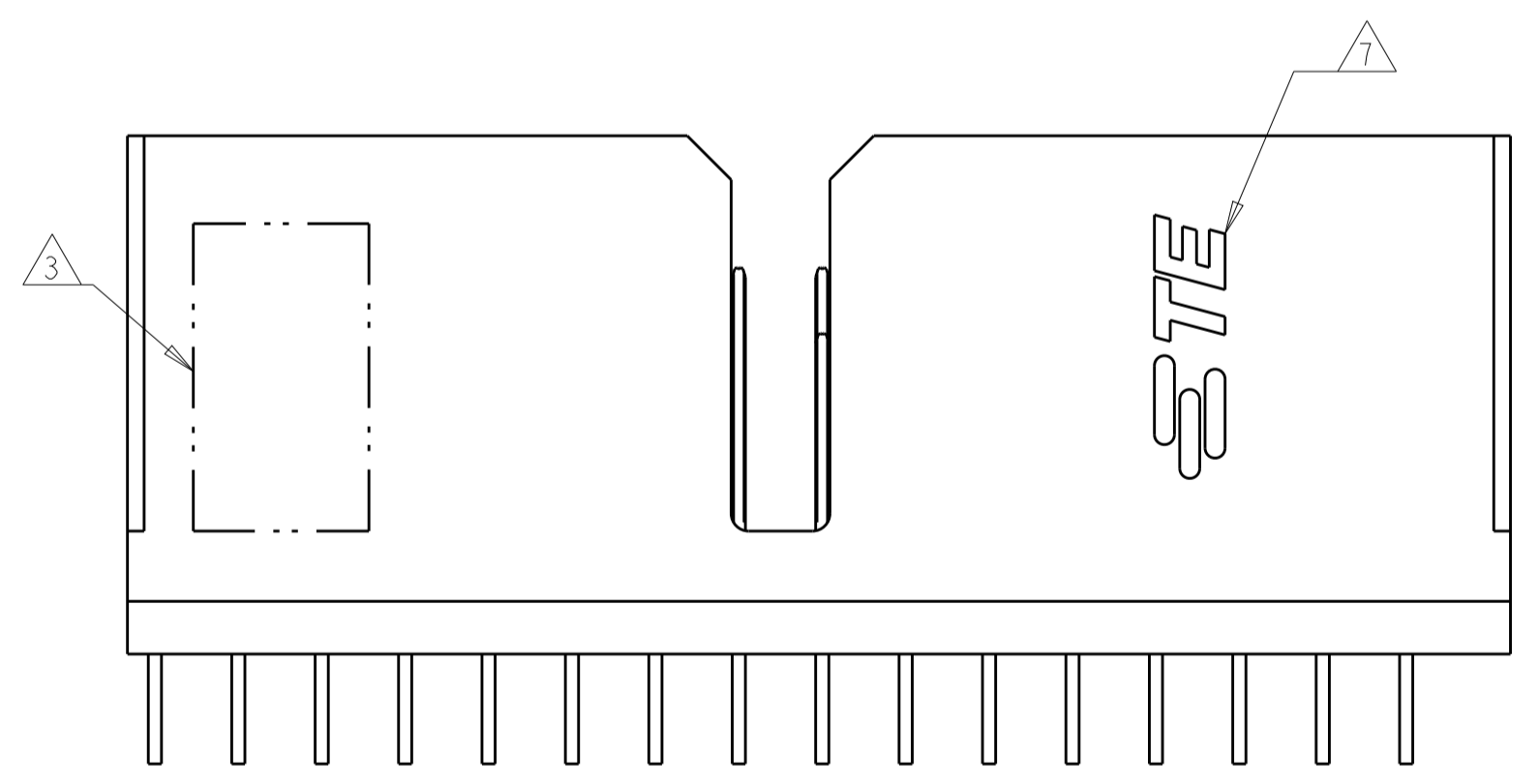
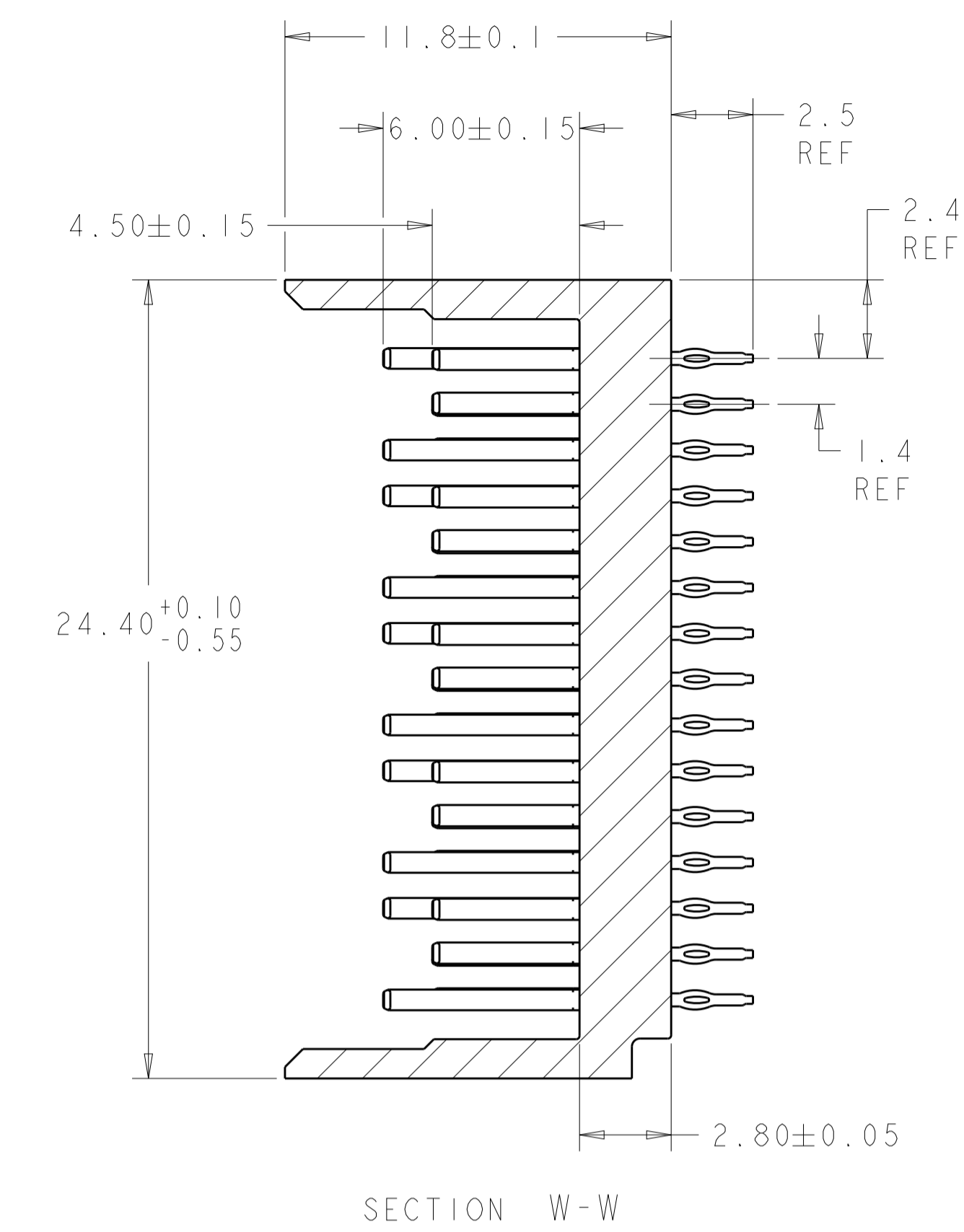
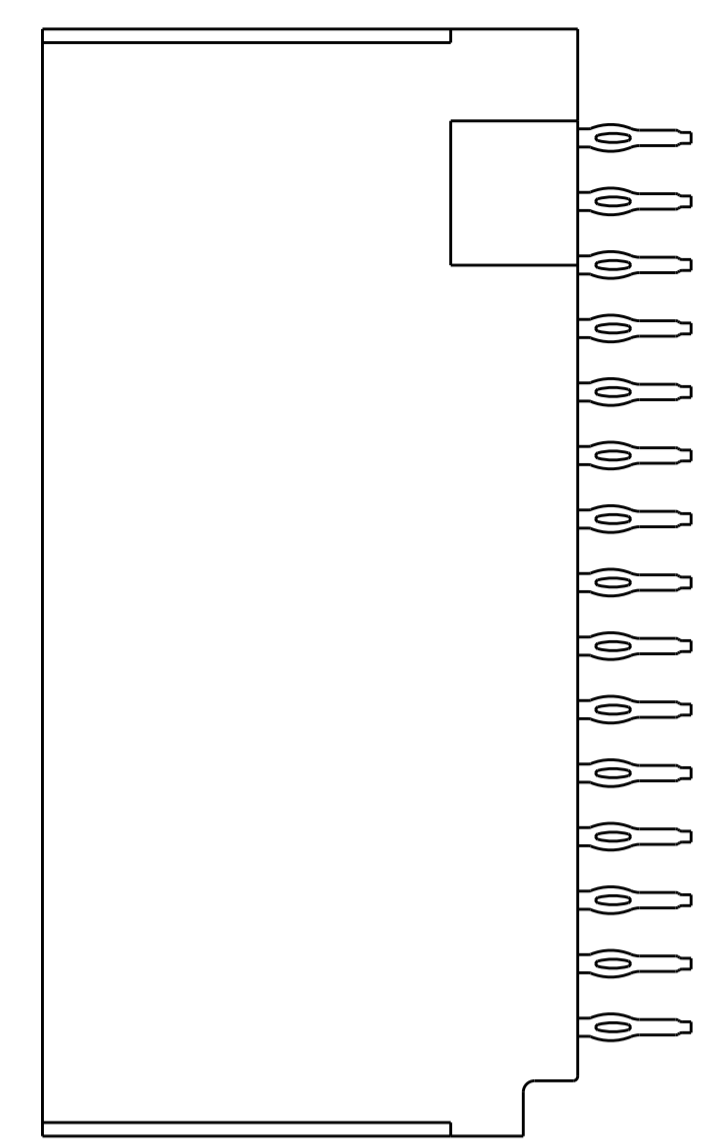
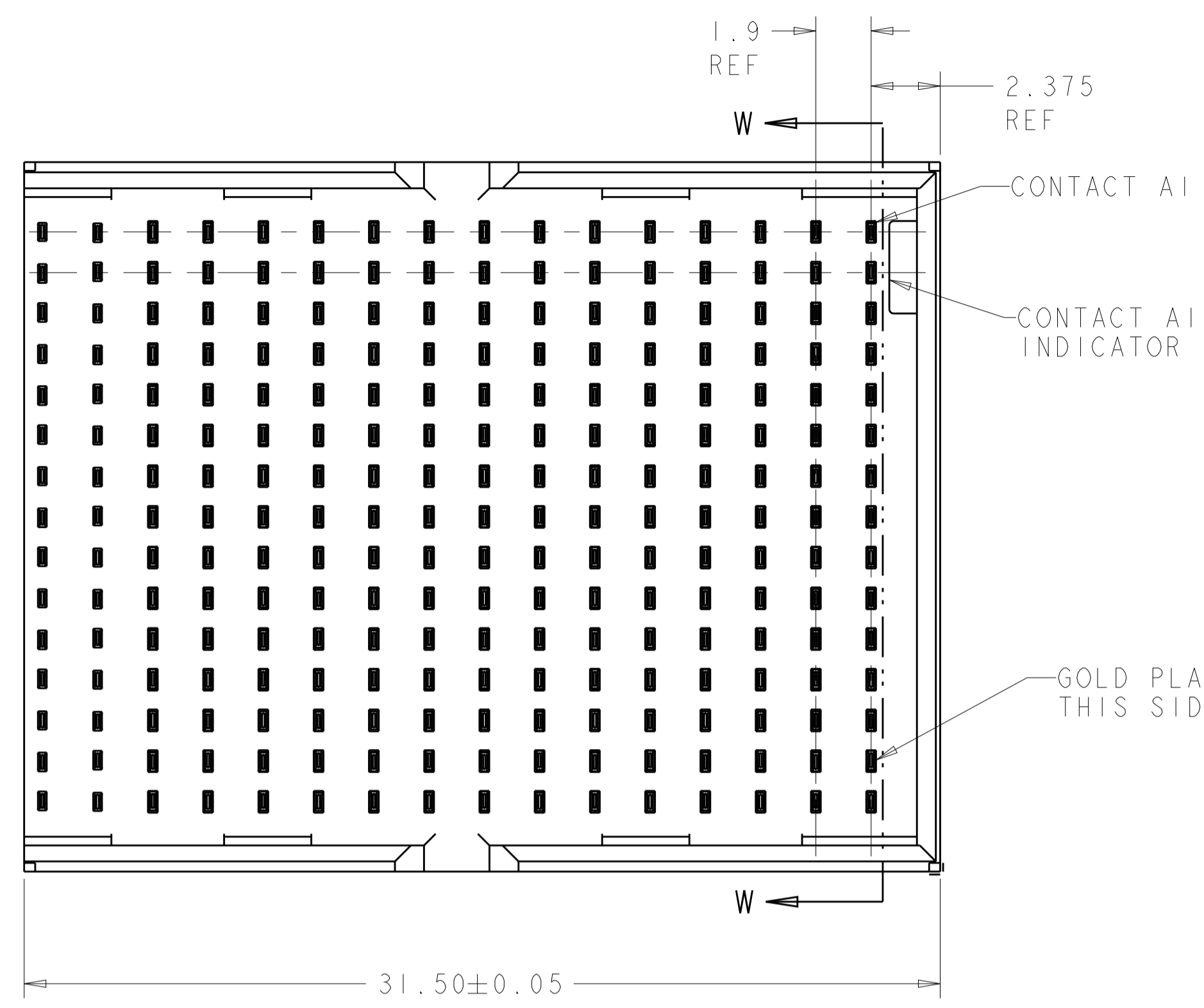


LOC		DIST		REVISIONS			
GP	00	REV	DATE	BY	CHK	APP	REV
F		REVISED PER ECO-13-010626	31JUL2013	KH	RP		
G		REVISED PER ECO-19-009248	04JUL2019	AP	SY		



- 1 MATERIAL: CONTACT - PHOS BRONZE HOUSING - LCP, UL 94V-0, COLOR - BLACK
- 2 FINISH: CONTACT AREA FINISH CONFORMS TO THE REQUIREMENTS OF TE PRODUCT SPECIFICATION 108-2303; BASED ON TELCORDIA GR-1217-CORE FOR SYSTEM QUALITY LEVEL III, APPLICATIONS IN CONTROLLED ENVIRONMENTS (CENTRAL OFFICE). COMPLIANT PIN AREA- 0.5µm MIN MATTE TIN OVER 1.27µm MIN NICKEL.
- 3 CONNECTOR MARKED WITH PART NUMBER, DATE CODE AND STANDARD IN APPROXIMATE AREA SHOWN
- 4 DATUMS AND BASIC DIMENSIONS ESTABLISHED BY CUSTOMER.
- 5 CONTACT AREA LUBRICATED WITH BELLCORE APPROVED LUBRICANT. TECHNICAL REFERENCE GR-1217-CORE, ISSUE 1, NOVEMBER 1995.
- 6 REFERENCE APPLICATION SPEC 114-13202 FOR RECOMMENDED PLATED THRU HOLE DIAMETER AND PLATING THICKNESSES.
- 7 SHOWN LOGO OR OTHER TE OWNED LOGOS IN APPROXIAMATE AREA.

○ = SIGNAL  
 ⊗ = GROUND  
 RECOMMENDED PC BOARD LAYOUT BACKPLANE,  
 COMPONENT SIDE SHOWN  
 SCALE 6:1

1934333-1  
 PART NUMBER

THIS DRAWING IS A CONTROLLED DOCUMENT.		OWN B.MCMASTER 06JUN2007	NAME	TE Connectivity
DIMENSIONS:		CHK W.DAVIS 06JUN2007	PRODUCT SPEC	HEADER ASSEMBLY, LEFT WALL, 5 PAIR 16 COLUMN TinMan
TOLERANCES UNLESS OTHERWISE SPECIFIED:		APVD W.DAVIS 06JUN2007	APPLICATION SPEC	
mm	0 PLC ±	SIZE	CAGE CODE	DRAWING NO
	1 PLC ±	RESTRICTED TO		
	2 PLC ±			
	3 PLC ±			
	4 PLC ±			
	ANGLES ±			
MATERIAL	FINISH	WEIGHT	A100779	1934333
		CUSTOMER DRAWING	SCALE 6:1	SHEET 1 OF 1 REV G

## X-ON Electronics

Largest Supplier of Electrical and Electronic Components

*Click to view similar products for [High Speed/Modular Connectors](#) category:*

*Click to view products by [TE Connectivity](#) manufacturer:*

Other Similar products are found below :

[650827-1](#) [74040-1346](#) [1410191-1](#) [1410368-3](#) [1410964-2](#) [1410326-3](#) [1410367-3](#) [1410971-4](#) [1467833-1](#) [2000877-1](#) [2000878-1](#) [2041314-1](#)  
[2065387-1](#) [2187307-1](#) [163P](#) [1934290-1](#) [2000875-1](#) [2065917-1](#) [2102736-2](#) [FSR-40](#) [2169868-2](#) [22354-8](#) [437-5040-000](#) [5-1393565-0](#) [039-](#)  
[0246-000](#) [0740618502](#) [0761601016](#) [0784461022](#) [10123159-12ELF](#) [030-2415-003/100 PK](#) [030-7380-004](#) [030-2494-001](#) [532939-1](#) [5532901-](#)  
[3](#) [3-1469268-7](#) [UMK-SE 11,25-1](#) [74748-102LF](#) [10041743-101LF](#) [10066670-100002LF](#) [1-533915-1](#) [249-4515-000](#) [7-1469373-3](#) [DL2-2J/S](#)  
[2000713-8](#) [2000713-7](#) [10124313-101LF](#) [3011-21](#) [757105208](#) [430305-001](#) [4395800100](#)