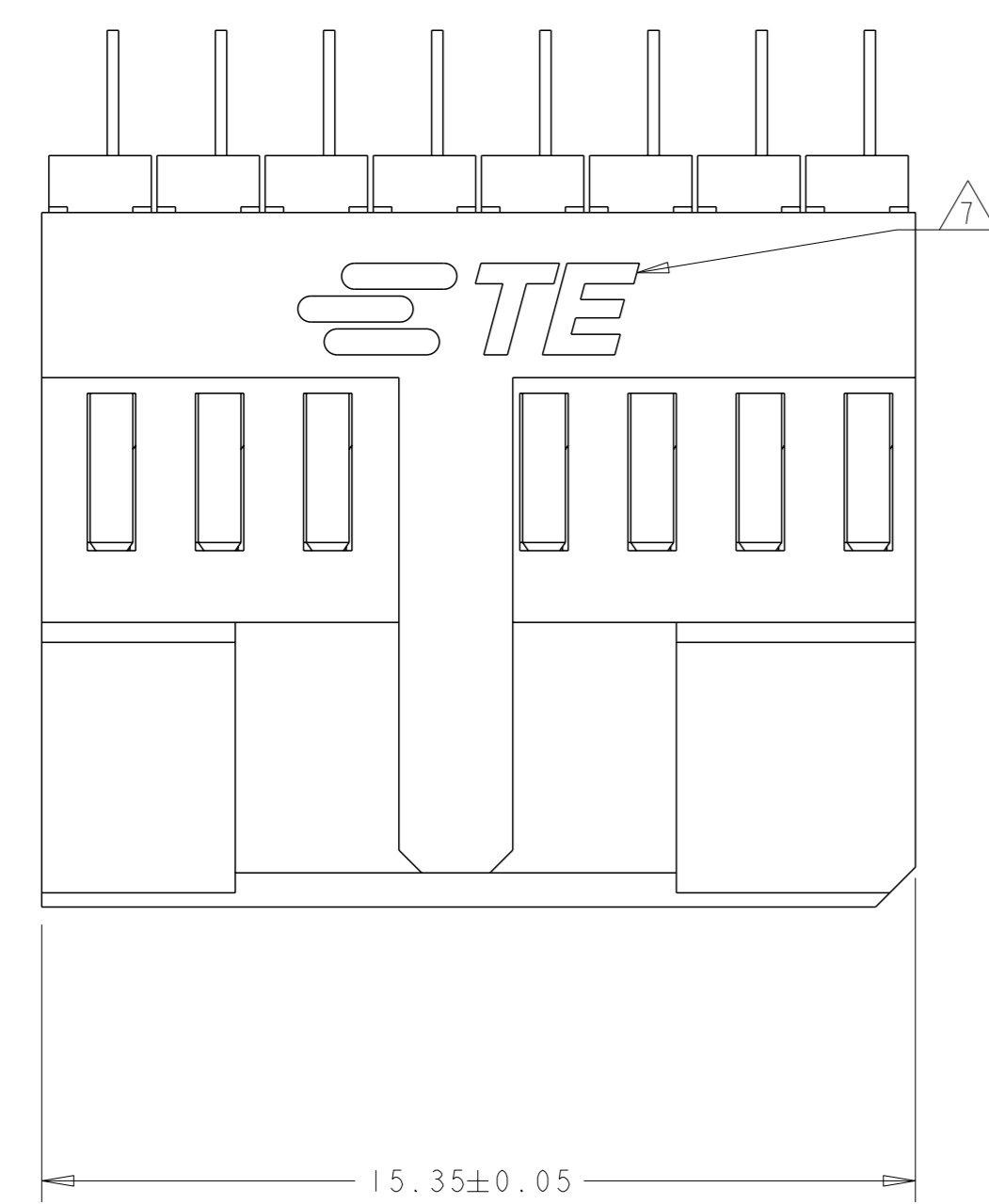
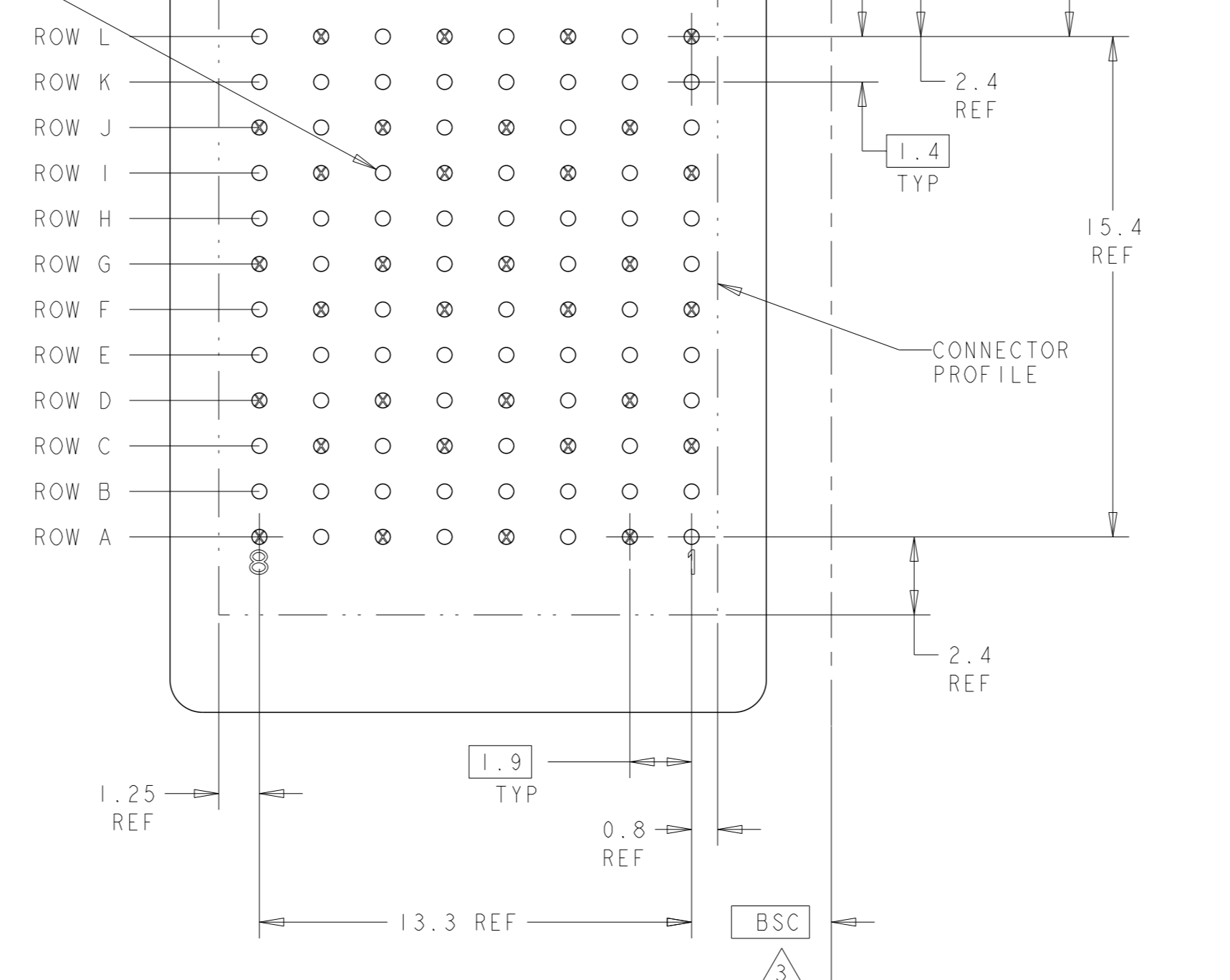


LOC	DIST	REVISIONS			
		REV	DATE	BY	APPV
AD	00	C	19MAR2013	KH	RP
		D	29AUG2019	AP	SY

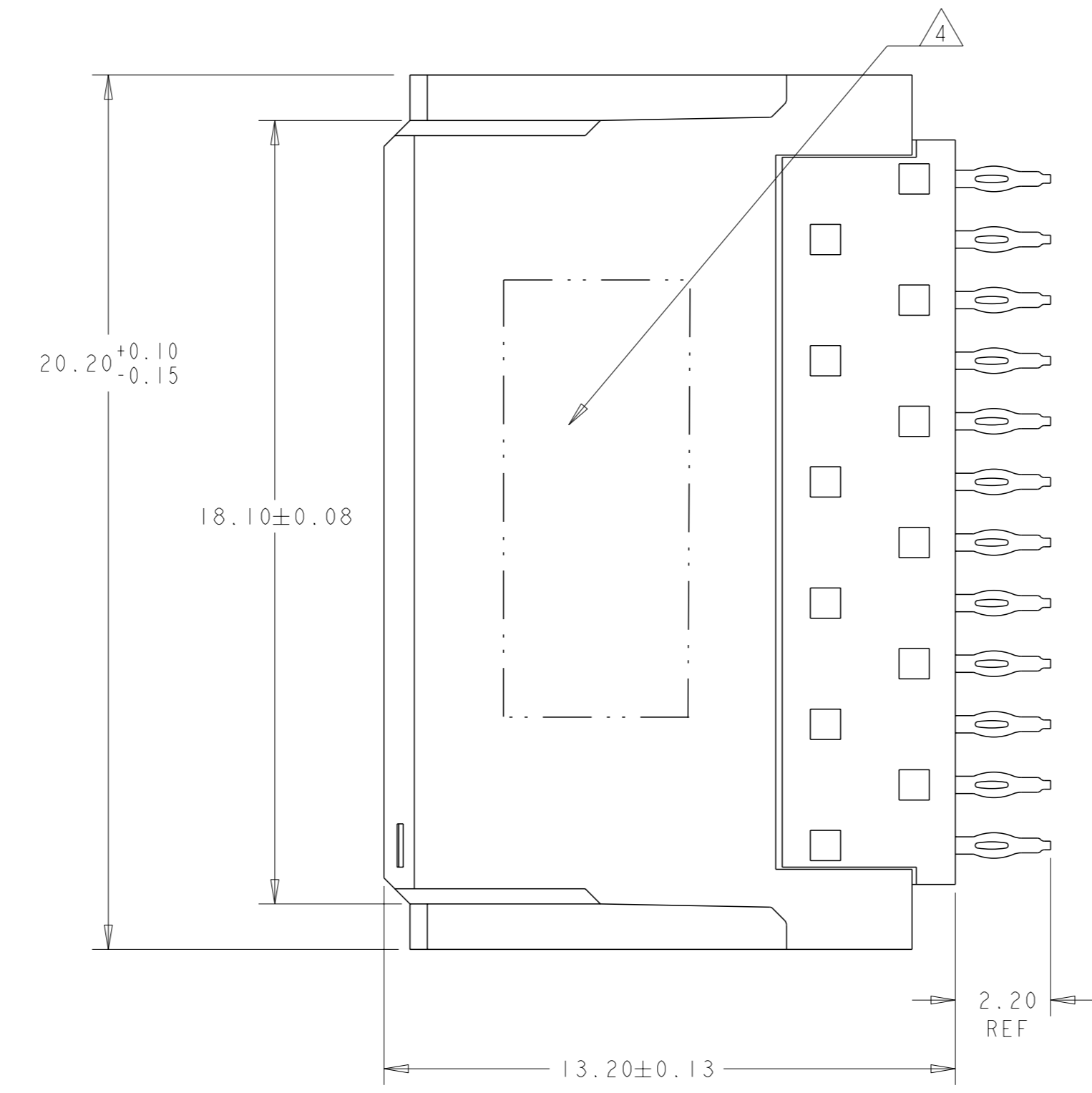
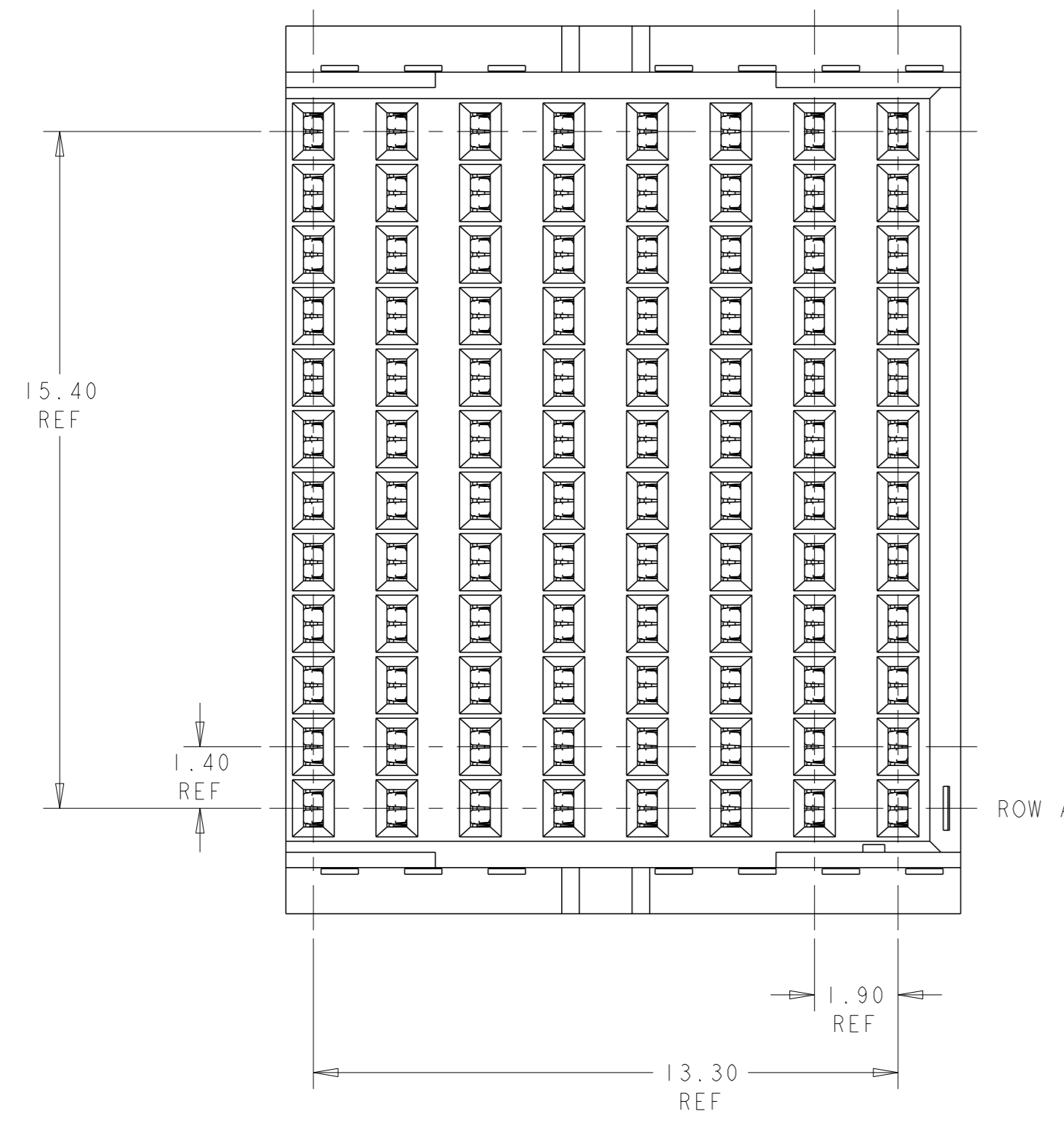


⊕ ∅0.05 X|Y
FINISHED HOLE SIZE
AND PLATED THRU HOLES



○ = SIGNAL
⊗ = GROUND
RECOMMENDED PC BOARD LAYOUT
COMPONENT SIDE SHOWN
SCALE 6:1

- △ MATERIAL:
CONTACT - PHOS BRONZE
HOUSING & CHICKLET - LCP, UL 94V-0, COLOR - BLACK
ORGANIZER - STAINLESS STEEL
- △ FINISH:
CONTACT AREA FINISH CONFORMS TO THE REQUIREMENTS
OF TE PRODUCT SPECIFICATION 108-2303; BASED ON
TELCORDIA GR-1217-CORE FOR SYSTEM QUALITY
LEVEL III, APPLICATIONS IN CONTROLLED
ENVIRONMENTS (CENTRAL OFFICE).
COMPLIANT PIN AREA- 0.5µm MIN MATTE TIN OVER 1.27µm MIN NICKEL.
- △ DATUMS AND BASIC DIMENSIONS ESTABLISHED BY CUSTOMER.
- △ CONNECTOR MARKED WITH PART NUMBER AND DATE CODE IN APPROXIMATE AREA SHOWN.
- △ REFERENCE APPLICATION SPEC FOR RECOMMENDED
PLATING THRU HOLE DIAMETER AND PLATING THICKNESSES.
- 6. CONTACT AREA LUBRICATED WITH BELLCORE APPROVED LUBRICANT. TECHNICAL
REFERENCE GR-1217-CORE, ISSUE 1, NOVEMBER 1995.
- △ SHOWN LOGO OR OTHER TE OWNED LOGOS IN APPROXIMATE AREA



1934593-1
PART NUMBER

THIS DRAWING IS A CONTROLLED DOCUMENT.		OWN J. SHOBER 28JAN2008		TE Connectivity	
DIMENSIONS:		CHK C. RITIER 28JAN2008		NAME VERTICAL RECEPTACLE ASSEMBLY, 4 PAIR, 8 COLUMN, 16mm STACK HEIGHT	
TOLERANCES UNLESS OTHERWISE SPECIFIED:		APVD C. RITIER 28JAN2008	PRODUCT SPEC 108-2303		
mm			APPLICATION SPEC 114-13202		
0 PLC ±			SIZE CAGE CODE DRAWING NO		
1 PLC ±			RESTRICTED TO		
2 PLC ±			A1 00779C=1934593		
3 PLC ±			SCALE 8:1 SHEET 1 OF 1 REV D		
4 PLC ±					
ANGLES FINISH					
MATERIAL		WEIGHT	CUSTOMER DRAWING		

X-ON Electronics

Largest Supplier of Electrical and Electronic Components

Click to view similar products for [Hard Metric Connectors](#) category:

Click to view products by [TE Connectivity](#) manufacturer:

Other Similar products are found below :

[6345127-1](#) [646916-9](#) [6469658-1](#) [973108](#) [1-2000713-0](#) [1-2000713-2](#) [1-2000713-3](#) [1645343-1](#) [1645456-1](#) [1645594-1](#) [1645595-1](#) [1645601-1](#)
[1934822-1](#) [278071110010833](#) [1645179-1](#) [1645245-1](#) [1645457-1](#) [1645525-1](#) [1645570-1](#) [1645596-1](#) [17041102202](#) [1857470-1](#) [1934275-1](#)
[1934289-1](#) [1934759-1](#) [2000673-1](#) [2170292-2](#) [2-536642-6](#) [3-106015-1](#) [352188-1](#) [352629-1](#) [5120823-1](#) [5120899-1](#) [3-100145-0](#) [3-100147-0](#)
[3-100669-1](#) [3-106081-0](#) [HM2DK2368PLF](#) [5646530-1](#) [3-352049-0](#) [3-352069-0](#) [3-352115-0](#) [3-352638-0](#) [352189-1](#) [3-646357-0](#) [3-646487-0](#)
[3-646513-0](#) [106726-1](#) [114352](#) [114619](#)