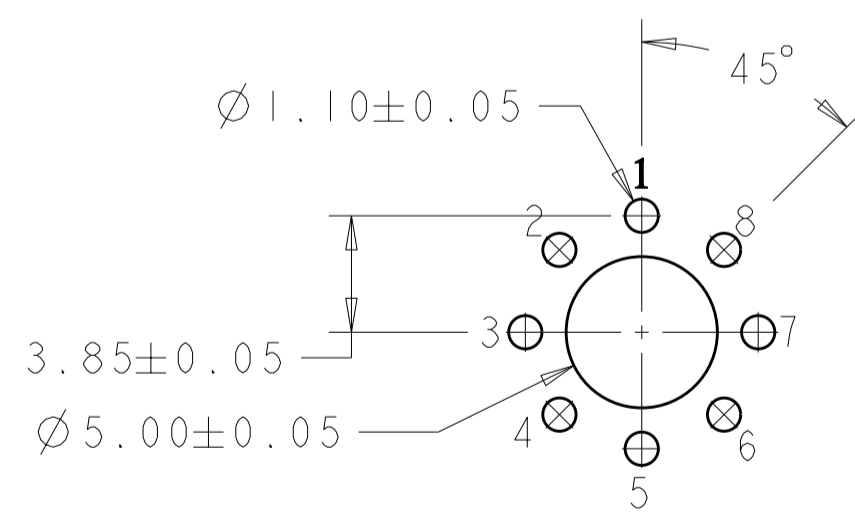
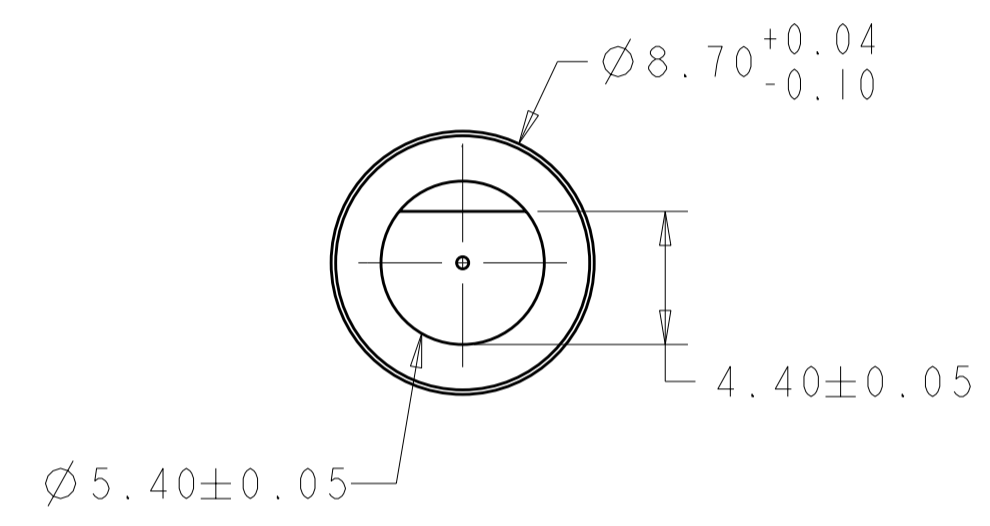
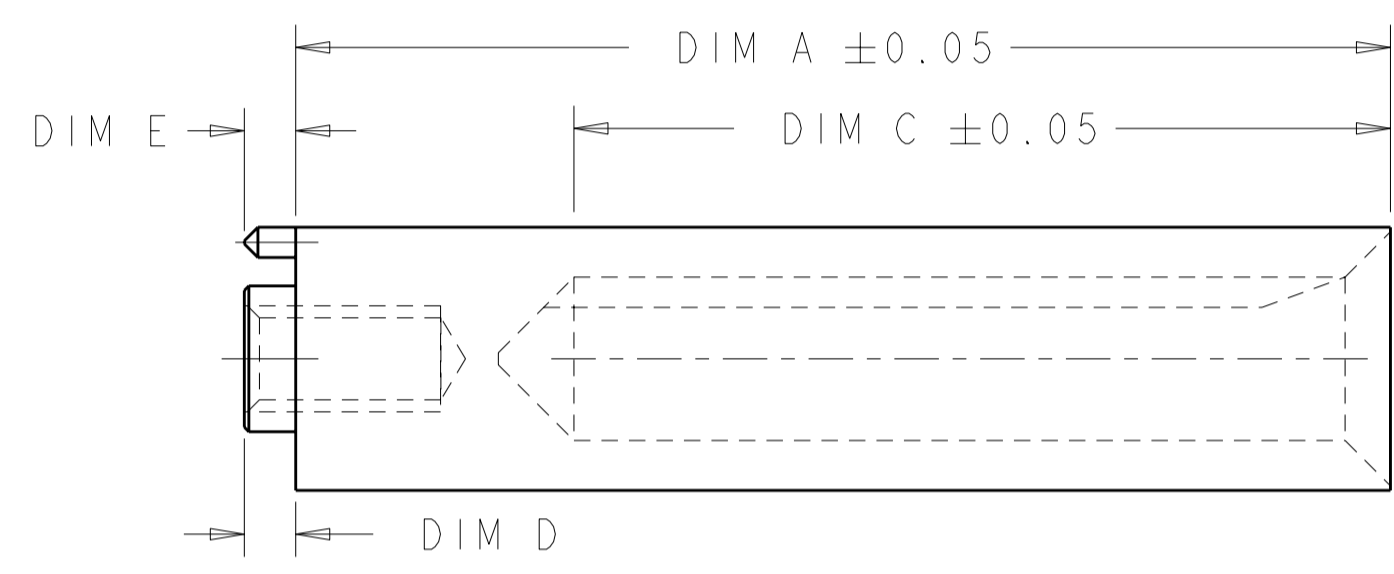
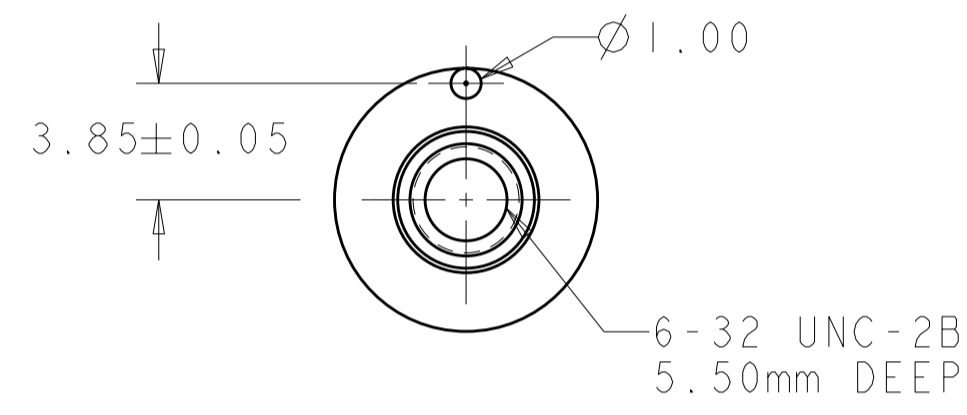


THIS DRAWING IS UNPUBLISHED. RELEASED FOR PUBLICATION 20  
 © COPYRIGHT 20 BY TYCO ELECTRONICS CORPORATION. ALL RIGHTS RESERVED.

LOC	DIST	REVISIONS			
P	LTR	DESCRIPTION	DATE	DWN	APVD
AG	00				
	2	5.50 DP WAS 6.50	12MAY2009	WM	RP
	3	REVISED	17JUN2009	DH	DY
	A	RELEASED	23JUN2009	DH	DY

SCALE 4:1

1 MATERIAL: ZINC ALLOY DIE CASTING.  
 2 FINISH: CHROMATE CONVERSION COATING.  
 (ROHS COMPATIBLE).



RECOMMENDED P.C. BOARD LAYOUT  
 SHOWN IN KEYING POSITION 1 (CAN BE ROTATED IN 45° INCREMENTS  
 WITH RECOMMENDED PIN FOR DIFFERENT KEYING POSITIONS 2 THROUGH 8)

2.20	2.20	27.0	36.2	1934988-6
1.70	1.70	30.0	39.2	1934988-5
1.70	1.70	18.0	27.2	1934988-4
1.70	1.70	6.0	15.2	1934988-3
1.70	1.70	3.0	12.2	1934988-2
1.70	1.70	27.0	36.2	1934988-1
DIM E	DIM D	DIM C	DIM A	Part Number

THIS DRAWING IS A CONTROLLED DOCUMENT FOR TYCO ELECTRONICS CORPORATION IT IS SUBJECT TO CHANGE AND THE CONTROLLING ENGINEERING ORGANIZATION SHOULD BE CONTACTED FOR THE LATEST REVISION.		DWN W. MCGEE 23-Jun-09	Tyco Electronics Harrisburg, PA 17105-3608	
DIMENSIONS: mm		CHK R. PATTERSON 12MAY08	NAME MODULE, VERTICAL FEMALE UNIVERSAL POWER MODULE	
TOLERANCES UNLESS OTHERWISE SPECIFIED: 0 PLC ± 1 PLC ± 2 PLC ± 3 PLC ±0.013 4 PLC ± ANGLES ±30° FINISH		APVD R. PATTERSON 12MAY08	RESTRICTED TO	
MATERIAL		PRODUCT SPEC -	SIZE A200779	CAGE CODE C-1934988
1		APPLICATION SPEC -	DRAWING NO 1934988	
2		WEIGHT -	SCALE 3:1	
CUSTOMER DRAWING		SHEET 1 OF 1		REV A

## X-ON Electronics

Largest Supplier of Electrical and Electronic Components

*Click to view similar products for [Hard Metric Connectors](#) category:*

*Click to view products by [TE Connectivity](#) manufacturer:*

Other Similar products are found below :

[10146110-VR5C](#) [6345127-1](#) [646916-9](#) [6469658-1](#) [853016](#) [973108](#) [1-2000713-0](#) [1-2000713-2](#) [1-2000713-3](#) [120646-1](#) [134187](#) [1645343-1](#)  
[1645456-1](#) [1645564-3](#) [1645594-1](#) [1645601-1](#) [1934822-1](#) [2000829-2](#) [2000985-2](#) [223085-1](#) [278071110010833](#) [1645179-1](#) [1645245-1](#)  
[1645457-1](#) [1645525-1](#) [1645570-1](#) [1645596-1](#) [17-8072-125-000-863+](#) [1857470-1](#) [1934275-1](#) [1934289-1](#) [1934759-1](#) [2000670-2](#) [2000673-1](#)  
[2000843-2](#) [2000984-2](#) [204975](#) [2170292-2](#) [2-536642-6](#) [3-100668-0](#) [3-106015-1](#) [352188-1](#) [352629-1](#) [3-646346-0](#) [3-646356-0](#) [3-646457-0](#) [3-646529-0](#) [3-646530-0](#) [5120823-1](#) [5120899-1](#)