

THIS DRAWING IS UNPUBLISHED.

RELEASED FOR PUBLICATION

-. - .

ALL RIGHTS RESERVED.

© COPYRIGHT - By -

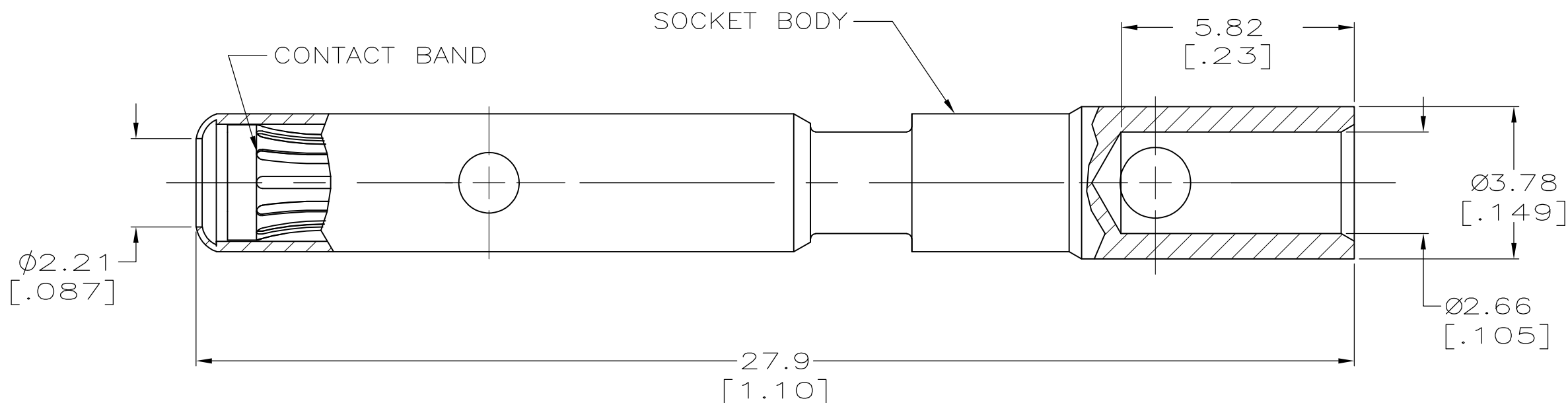
LOC
FT

DIST
0

REVISIONS

P	LTR	DESCRIPTION	DATE	DWN	APVD
	H2	REVISED PER ECO-11-004917	11MAR11	RK	HMR

- 1 MATERIAL: BODY - COPPER ALLOY
BAND - BeCu
- 2 FINISH: BODY AND BAND - .0002 IN. SILVER
OVER .00004 IN. NICKEL.
- 3. WIRE BARREL WILL ACCEPT 12-14 AWG WIRE.
- 4. MATES WITH AMP PART NUMBER 193841-1.
- 5 FINISH: BODY - 30 uIN GOLD MIN. OVER 50 uIN
NICKEL MIN. BAND- GOLD
- 6 FINISH: BODY AND BAND -
AT MINIMUM, HARD GOLD FLASH OVER 40 uINCHES
80-20 Pd/Ni OVER 100 uINCHES NICKEL.
- 7. ALL DIMENSIONS ARE REFERENCE.



	6	193842-3
OBSOLETE	5	193842-2
	2	193842-1
FINISH		PART NO.

THIS DRAWING IS A CONTROLLED DOCUMENT.		DWN C. M. SVOBODA	03-18-94	STE TE Connectivity	
DIMENSIONS: mm [INCHES]		CHK	-		
TOLERANCES UNLESS OTHERWISE SPECIFIED:		APVD	-	NAME SOCKET ASSY, 2mm, 12-14 AWG HIGHCURRENT MATE-N-LOK II	
0 PLC ± -		PRODUCT SPEC	-	APPLICATION SPEC	
1 PLC ± -		APPLIC. SPEC	-	SIZE	A3
2 PLC ± -		WEIGHT	-	CAGE CODE	00779
3 PLC ± -				DRAWING NO	C-193842
4 PLC ± -				RESTRICTED TO	-
ANGLES ± -				SCALE	-
MATERIAL	1	FINISH	-	SHEET	1 OF 1
CUSTOMER DRAWING			REV	H2	

X-ON Electronics

Largest Supplier of Electrical and Electronic Components

Click to view similar products for [Power to the Board](#) category:

Click to view products by [TE Connectivity](#) manufacturer:

Other Similar products are found below :

[6450171-4](#) [6450552-7](#) [6600323-8](#) [6643429-1](#) [6646040-2](#) [6651939-1](#) [6766604-1](#) [120959-1](#) [1393557-2](#) [1393532-2](#) [1393532-3](#) [1393532-4](#)
[1393557-1](#) [1600812-5](#) [1-6450861-2](#) [1744132-7](#) [1761122-1](#) [1766250-1](#) [1892109-1](#) [2-6450860-5](#) [2-6450870-0](#) [1-6450161-4](#) [1-6450850-6](#) [1-6450869-6](#) [1645526-2](#) [1-6600130-0](#) [2005243-2](#) [377-0020-11130](#) [TE34-12-16P-F0](#) [5-6450830-6](#) [5646956-4](#) [377-0080-11131A](#) [4-6450830-9](#)
[4-6600333-3](#) [10125416-4050LF](#) [6600320-3](#) [3-6450860-5](#) [1888123-2](#) [6450166-1](#) [6643978-1](#) [6766605-1](#) [701-15-02109](#) [N11444](#) [6651938-1](#)
[6450810-7](#) [46437-1112](#) [1-1589677-8](#) [5646956-5](#) [6450813-2](#) [6450129-4](#)