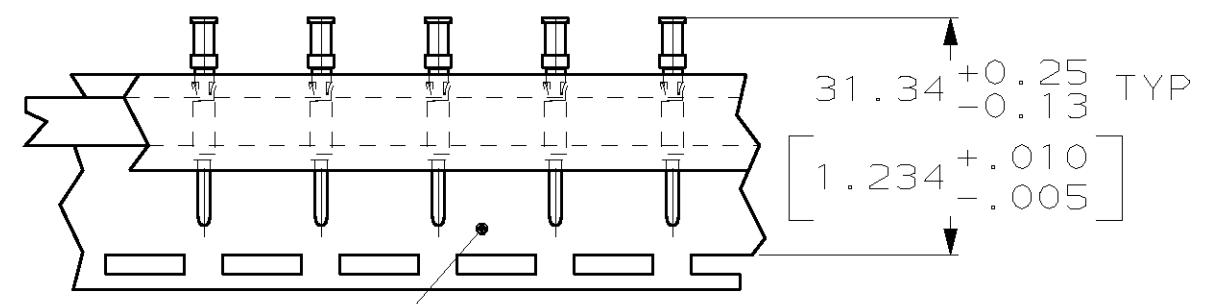
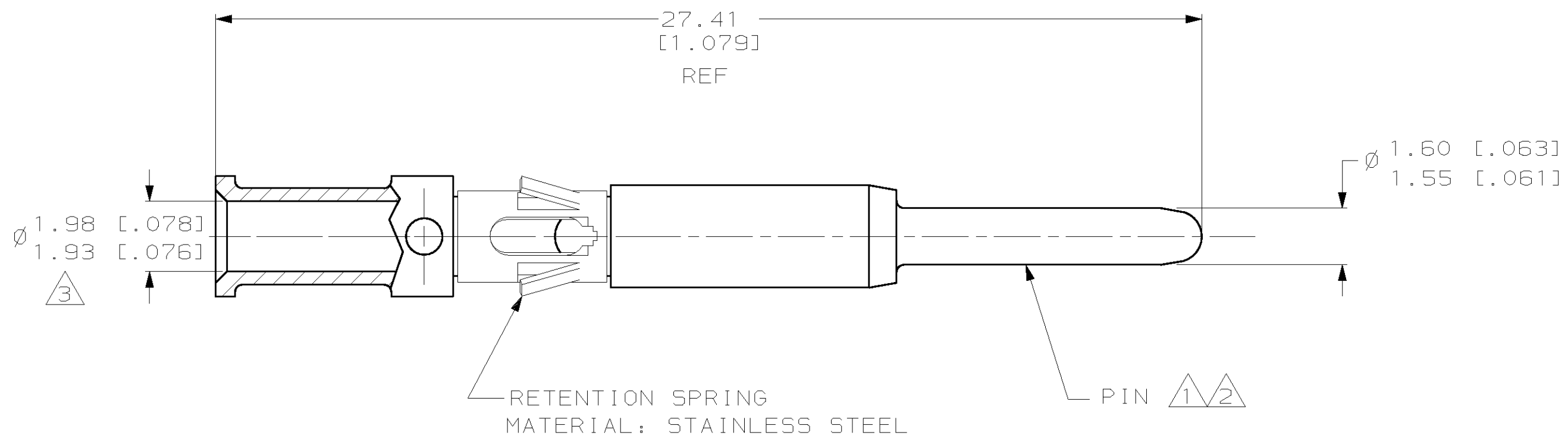


THIS DRAWING IS UNPUBLISHED. RELEASED FOR PUBLICATION, 19 .
 © COPYRIGHT 19 BY AMP INCORPORATED. ALL RIGHTS RESERVED.

LOC	DIST	REVISIONS			
P	LTR	DESCRIPTION	DATE	DWN	APVD
CH	11	D	ADDED -2	21/NOV/95	RNP PG
		E	MATERIAL Δ FINISH Δ	25/JUL/96	RNP PRG
		F	EC OB20-0724-97	10/JUN/97	RNP RAR
		G	EC OB20-0852-98	09/JUL/98	RNP RAR

- Δ 1 MATERIAL: COPPER ALLOY
- Δ 2 FINISH: 200 μ INCH MIN SILVER OVER 50 μ INCH MIN. NICKEL
- Δ 3 WIRE BARREL WILL ACCEPT #14AWG WIRE
- Δ 4 WHEN ORDERING CONTACT ASSEMBLIES ON TAPE, ORDER BY PART NUMBER PLUS THE PACKAGING CODE AS FOLLOWS:
 A. 5000 PARTS PER REEL ADD PACKAGING CODE: 5MREEL
 I.E. ORDER # 193844-2, 5MREEL



MYLAR TAPE
 TAPE MTG DETAIL Δ 4
 193844-2 ONLY

Δ 4	TAPE MTG (SEE DETAIL)	193844-2
	STANDARD	193844-1
	PACKAGING TYPE	PART NO

THIS DRAWING IS A CONTROLLED DOCUMENT FOR AMP INCORPORATED. IT IS SUBJECT TO CHANGE AND THE CONTROLLING ENGINEERING ORGANIZATION SHOULD BE CONTACTED FOR THE LATEST REVISION.		DWN	14/OCT/94	AMP AMP Incorporated Harrisburg, PA 17105-3608		
		CHK	CRAIG M. SVOBODA 16/MAY/94			
DIMENSIONS: mm [in]		APVD	16/MAY/94	NAME PIN, ϕ .062, #14 AWG HIGH CURRENT TYPE II/III+		
TOLERANCES UNLESS OTHERWISE SPECIFIED: 0 PLC \pm - 1 PLC \pm .3 [.01] 2 PLC \pm .13 [.005] 3 PLC \pm - 4 PLC \pm - ANGLES \pm - FINISH		PRODUCT SPEC	-			
MATERIAL	Δ 1	APPLICATION SPEC	-	SIZE	CAGE CODE	DRAWING NO
		WEIGHT	-	A3	00779	C=193844
CUSTOMER DRAWING			SCALE	SHEET	1 OF 1	REV G

X-ON Electronics

Largest Supplier of Electrical and Electronic Components

Click to view similar products for [Standard Circular Contacts](#) category:

Click to view products by [TE Connectivity](#) manufacturer:

Other Similar products are found below :

[RC16M23J](#) [133780-1](#) [RM20M13D28](#) [RM24M9D28](#) [RMMX110-1D28](#) [MS3474W10-6P L/C](#) [ELVP16100E](#) [164-901-CD](#) [EN3545007SCE](#)
[BV002BSQ20049CZ](#) [BV002SSQ160404CZ](#) [1900ND05S1B00B](#) [192900-0718](#) [166566-1](#) [1900ND04S1X00D](#) [ST-JL05-16S-C3-100](#) [ST-JL05-20S-C1-100](#) [ST-JL05-20S-C2-100](#) [T01-CRIMP-S03](#) [APK-SA16A07-002](#) [27963-15T12](#) [CONT-JL05-08S-C2-10](#) [CONT-JL05-12S-C1-10](#)
[RC16M-23T](#) [RFD26L-1D28](#) [BV002ASJ16049CW](#) [JN1-22-20S-R-PKG100](#) [031-50213](#) [031-50565](#) [031-50794](#) [SJS861301M](#) [ST-JL05-16S-C1-100](#) [ST-JL05-20P-C1-100](#) [82911466K](#) [192991-0087](#) [192900-0570](#) [44-100-1414P-1000-101](#) [T3P16FC3LZ](#) [ST-JL05-16S-C2-3500](#) [ZP-4016-10NF](#) [CONT-JL05-12P-C1-10](#) [RM20M12G8D28](#) [031-50676](#) [12115010110](#) [RJFTVC2MG](#) [CAP-DACMDPC2](#) [031-50675-002](#) [CAP-DD1FDPC2](#) [CAP-DACMDPC1](#) [031-50966-010](#)