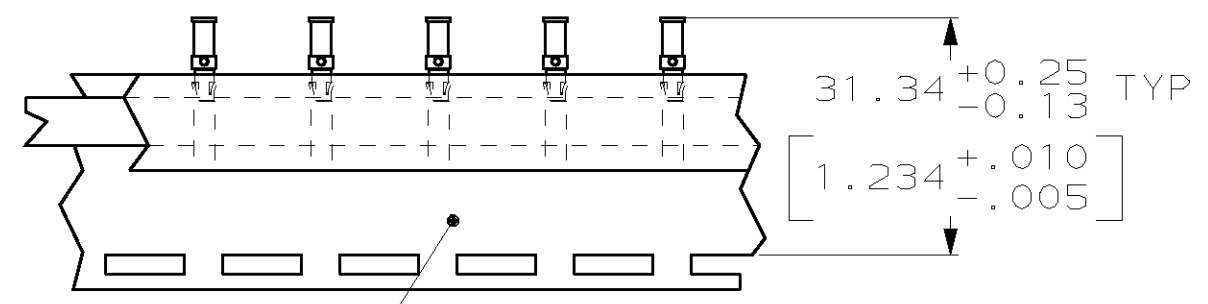
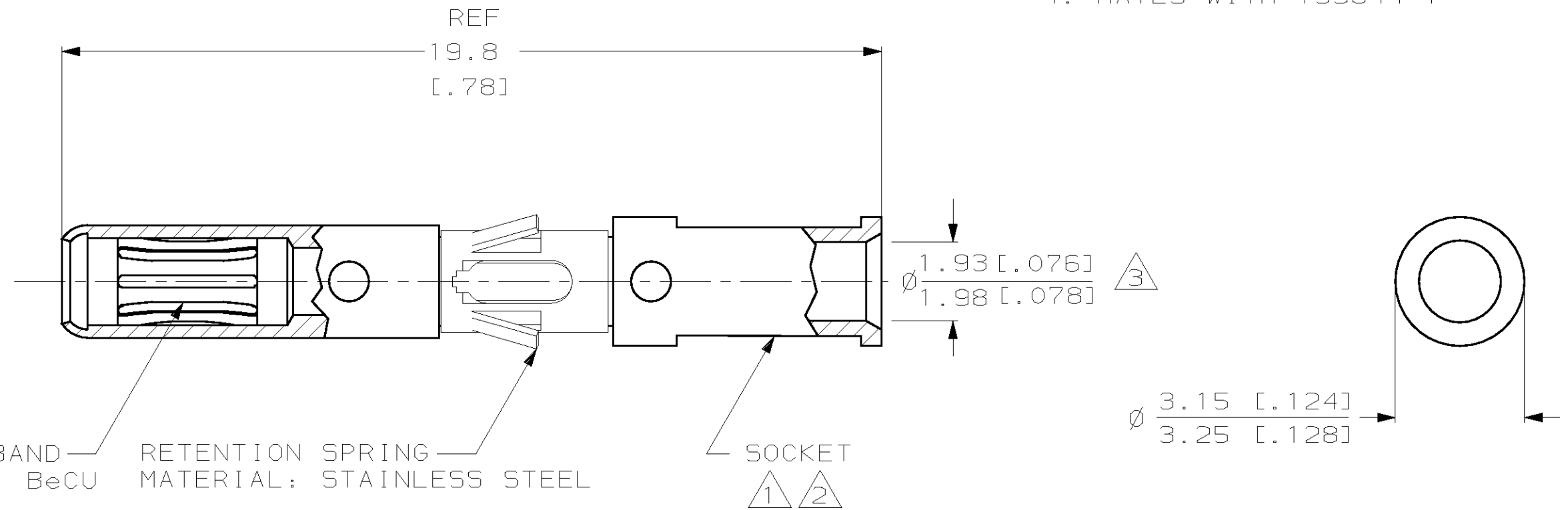


THIS DRAWING IS UNPUBLISHED. RELEASED FOR PUBLICATION, 19 .
 © COPYRIGHT 19 BY AMP INCORPORATED. ALL RIGHTS RESERVED.

LOC		D1ST		REVISIONS		
P	LTR	DESCRIPTION	DATE	DWN	APVD	
CH	11	C	ADDED -2	21/NOV/95	RNP PG	

5 WHEN ORDERING CONTACT ASSEMBLIES ON TAPE, ORDER BY PART NUMBER PLUS THE PACKAGING CODE AS FOLLOWS:
 A. 5000 PARTS PER REEL ADD PACKAGING CODE: 5MREEL
 I.E. ORDER # 193846-2, 5MREEL

- 1 MATERIAL: COPPER ALLOY
- 2 FINISH: SOCKET; 200 μINCHES MIN. SILVER OVER 50 μINCHES MIN. NICKEL BAND; 10 μINCHES MIN. GOLD OVER 40 μINCHES MIN. NICKEL
- 3 WIRE BARREL WILL ACCEPT #14AWG WIRE
- 4. MATES WITH 193844-1



5	TAPE MTG (SEE DETAIL)	193846-2
	STANDARD	193846-1
	PACKAGING TYPE	PART NO

THIS DRAWING IS A CONTROLLED DOCUMENT FOR AMP INCORPORATED. IT IS SUBJECT TO CHANGE AND THE CONTROLLING ENGINEERING ORGANIZATION SHOULD BE CONTACTED FOR THE LATEST REVISION.		DWN R N POLK 25/JAN/95	AMP Incorporated Harrisburg, PA 17105-3608	
DIMENSIONS: mm		CHK -	NAME	
TOLERANCES UNLESS OTHERWISE SPECIFIED: 0 PLC ±- 1 PLC ±- 2 PLC ±- 3 PLC ±- 4 PLC ±- ANGLES ±- FINISH		APVD -	SOCKET ASSY, #14 AWG HIGH CURRENT TYPE II/III+	
MATERIAL 1	2	PRODUCT SPEC -	SIZE A3	CAGE CODE 00779
		APPLICATION SPEC -	DRAWING NO C=193846	
		WEIGHT -	SCALE 8:1	SHEET 1 OF 1
		CUSTOMER DRAWING	REV C	

X-ON Electronics

Largest Supplier of Electrical and Electronic Components

Click to view similar products for [Standard Circular Contacts](#) category:

Click to view products by [TE Connectivity](#) manufacturer:

Other Similar products are found below :

[RC16M23J](#) [133780-1](#) [RM20M13D28](#) [RM24M9D28](#) [RMMX110-1D28](#) [MS3474W10-6P L/C](#) [ELFH02211](#) [ELVP16100E](#) [164-901-CD](#)
[EN3545007SCE](#) [BV002BSQ20049CZ](#) [BV002SSQ160404CZ](#) [1900ND05S1B00B](#) [166566-1](#) [1900ND04S1X00D](#) [ST-JL05-16S-C3-100](#) [ST-](#)
[JL05-20S-C1-100](#) [ST-JL05-20S-C2-100](#) [T01-CRIMP-S03](#) [APK-SA16A07-002](#) [27963-15T12](#) [CONT-JL05-08S-C2-10](#) [CONT-JL05-12S-C1-](#)
[10](#) [RC16M-23T](#) [RFD26L-1D28](#) [BV002ASJ16049CW](#) [JN1-22-20S-R-PKG100](#) [031-50213](#) [031-50565](#) [031-50794](#) [SJS861301M](#) [ST-JL05-](#)
[16S-C1-100](#) [ST-JL05-20P-C1-100](#) [82911466K](#) [192991-0087](#) [192900-0570](#) [44-100-1414P-1000-101](#) [T3P16FC3LZ](#) [ST-JL05-16S-C2-3500](#)
[ZP-4016-10NF](#) [CONT-JL05-12P-C1-10](#) [RM20M12G8D28](#) [031-50676](#) [12115010110](#) [RJFTVC2MG](#) [CAP-DACMDPC2](#) [031-50675-002](#)
[CAP-DD1FDPC2](#) [CAP-DACMDPC1](#) [031-50966-010](#)