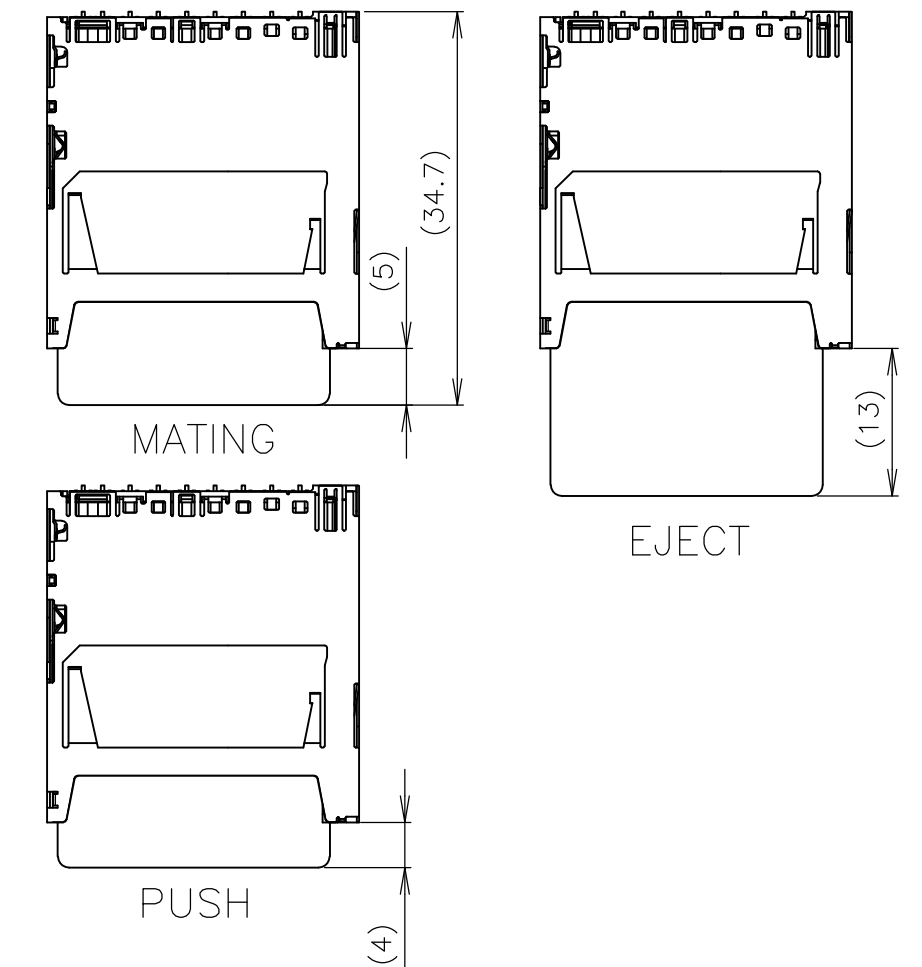
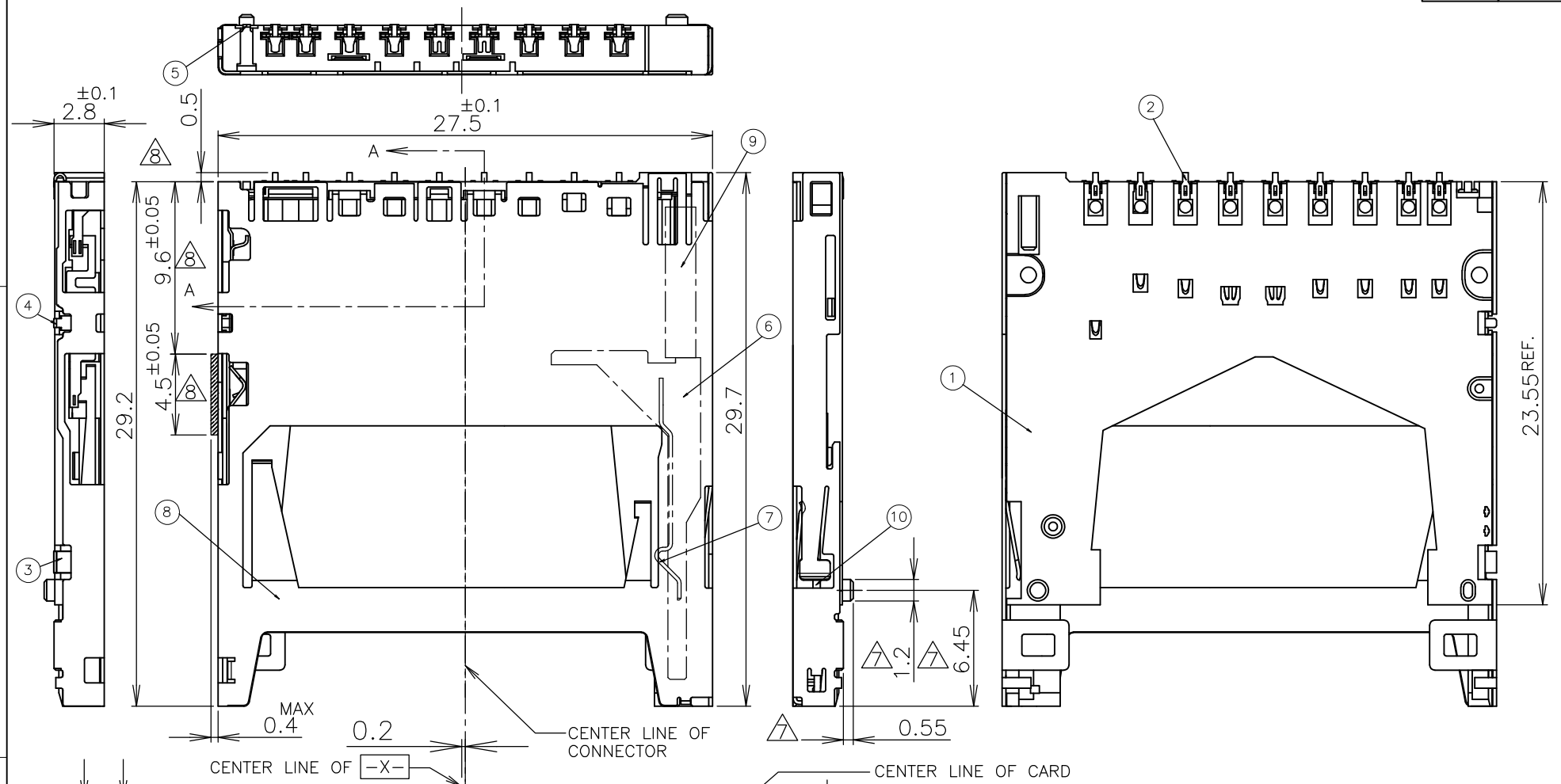


THIS DRAWING IS UNPUBLISHED. RELEASED FOR PUBLICATION MAR , 2003.
 © COPYRIGHT 2004 By Tyco Electronics JAPAN G.K. ALL RIGHTS RESERVED.

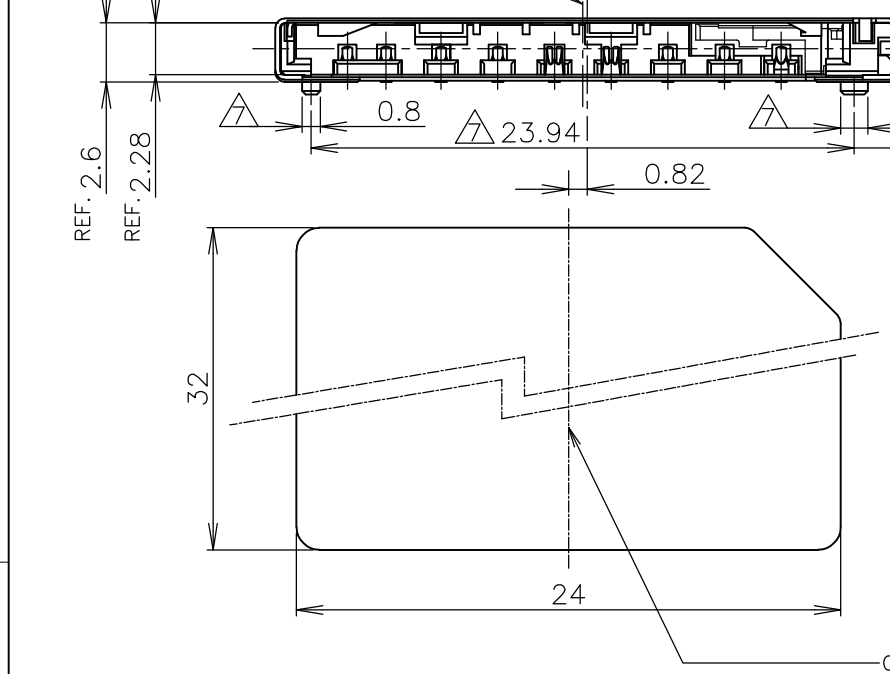
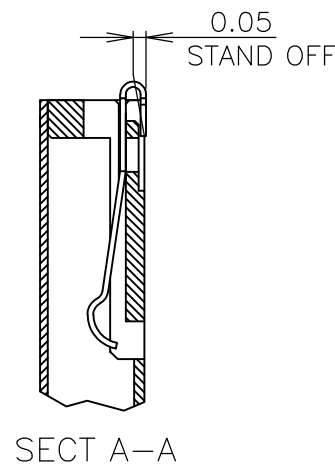
LOC	DIST	REVISIONS					
J	/	P	LTR	DESCRIPTION	DATE	DWN	APVD
		D		REVISED	23JUN2014	J.T	K.K



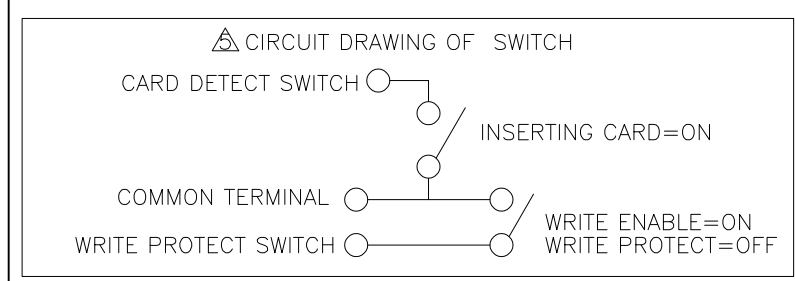
CARD LOCATION WHEN OPERATING

ITEM	DESCRIPTION	MATERIAL	FINISH	QTY
⑩	CAM ROD	SUS	-	1
⑨	COIL SPRING	SWP	-	1
⑧	SHELL	COPPER ALLOY	TIN PLATE	1
⑦	HOOK SPRING	SUS	-	1
⑥	SLIDER	THERMOPLASTIC	-	1
⑤	SWITCH C	COPPER ALLOY	Au ON CONTACT AREA OVER Ni AND Sn ON SOLDER TINE OVER Ni.	1
④	SWITCH B	COPPER ALLOY	Au ON CONTACT AREA AND SOLDER TINE OVER Ni.	1
③	SWITCH A	COPPER ALLOY	Au ON CONTACT AREA OVER Ni AND Sn ON SOLDER TINE OVER Ni.	1
②	CONTACT	COPPER ALLOY	Au ON CONTACT AREA OVER Ni AND Sn ON SOLDER TINE OVER Ni.	1
①	HOUSING	THERMOPLASTIC	-	1
⑨	MATERIAL		⑨ FINISH	QTY

- △ PAD FOR CARD DETECT SWITCH
- △ PAD FOR COMMON TERMINAL
- △ PAD FOR WRITE PROTECT SWITCH
- 4 THE SEQUENCE OF CONTACT DURING CARD INSERTION
 PIN #3,4 — PIN #2,5,6,7,8,9
 CARD DETECT SWITCH — PIN #1
- △ CIRCUIT DRAWING OF SWITCH
- 6 DON'T WASH BY IMMERSING THE CONNECTOR IN FLUID
- △ NO APPLIED TO WITHOUT BOSS TYPE.
- △ SWITCH MOVING AREA
- △ REFER TO THE TABLE FOR MATERIAL AND FINISH.
- 10 COPLANNARITY:0.1MAX.
- 11 PLEASE MOUNT THE SAMPLE AND CONFIRM THE PRESENCE OF TROUBLE.
- 12 ADAPTABLE CARD : SD CARD IN ACCORDANCE WITH STANDARD OF SDA.



CENTER LINE OF CARD
 -1, -2 : AS SHOWN



IMPOSSIBLE	WITHOUT	1939115-4
IMPOSSIBLE	WITH	1939115-3
POSSIBLE	WITHOUT	1939115-2
POSSIBLE	WITH	1939115-1
REVERSE REFLOW	BOSS	PART NUMBER

THIS DRAWING IS A CONTROLLED DOCUMENT.

DWN	T.AOKI	24OCT2005
CHK	Y.UCHIKAWA	24OCT2005
APVD	T.KUSUHARA	24OCT2005

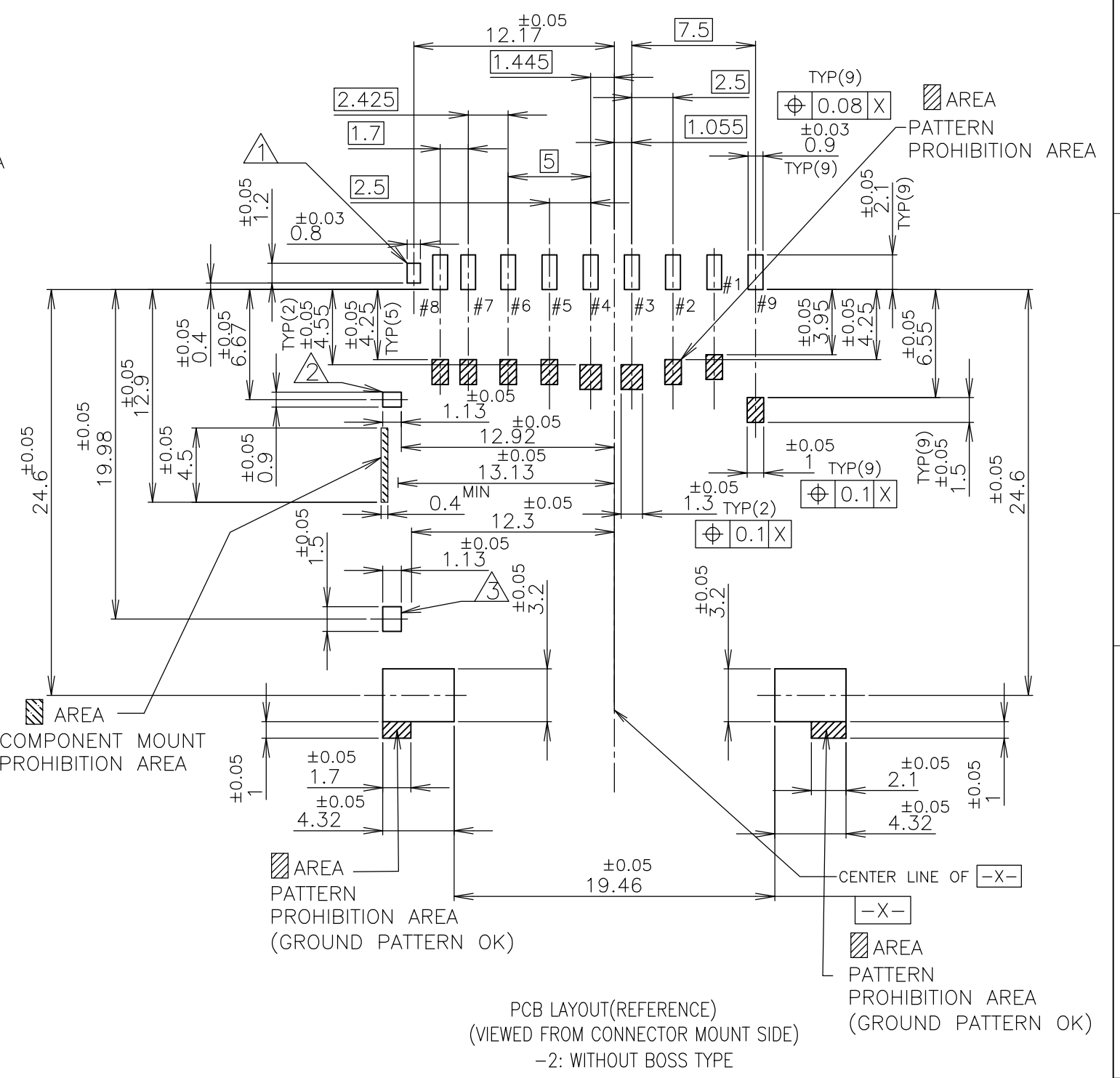
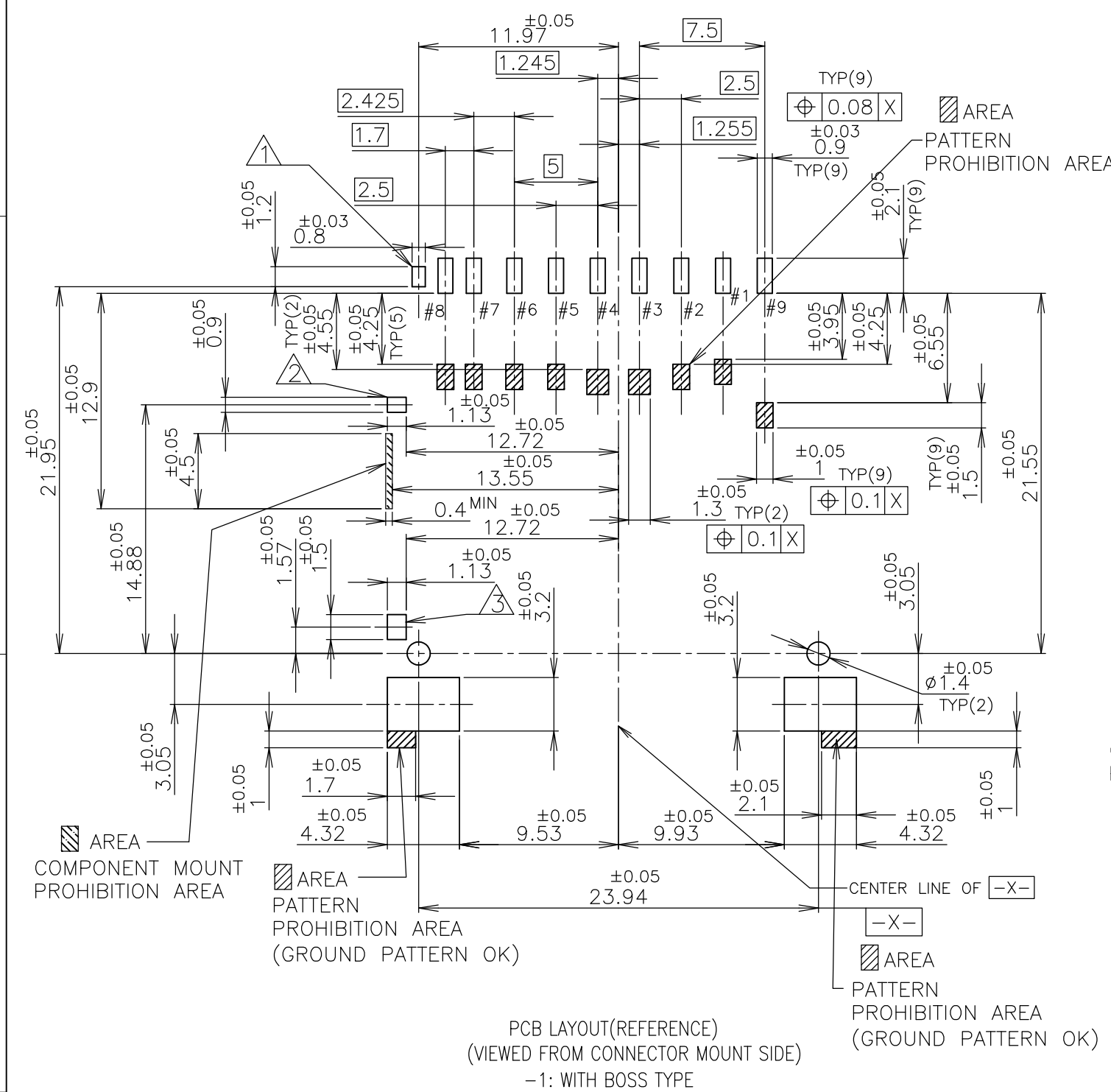
NAME: SD MEMORY CARD CONNECTOR PUSH PUSH TYPE

SIZE	CAGE CODE	DRAWING NO	RESTRICTED TO
A3	00779	C-1939115	-

CUSTOMER DRAWING SCALE 3:1 SHEET 1 OF 6 REV D

THIS DRAWING IS UNPUBLISHED. RELEASED FOR PUBLICATION MAR ,2003.
 © COPYRIGHT 2004 By Tyco Electronics JAPAN G.K. ALL RIGHTS RESERVED.

LOC	DIST	REVISIONS		
		P	LTR	DESCRIPTION
J	/			SEE SHEET 1



- ▲ カード認識スイッチ用パッド
- ▲ コモン端子用パッド
- ▲ ライトプロテクトスイッチ用パッド
- 4 カード挿入時の接触の順番
PIN #3,4 — PIN #2,5,6,7,8,9
カード認識スイッチ — PIN #1
- ▲ スwitchの回路図
- 6 本製品は浸漬による洗浄は行わないこと。
- ▲ ボス無しタイプには、適用なし。
- ▲ スwitch可動エリア
- ▲ 材料&仕上げはテーブルを参照のこと。
- 10 コプラナリティ: 0.1mm以下。

- 11 サンプルを実装して不具合の有無を確認して下さい。
- 12 対応カード: SDAの規格に準拠したSDカード

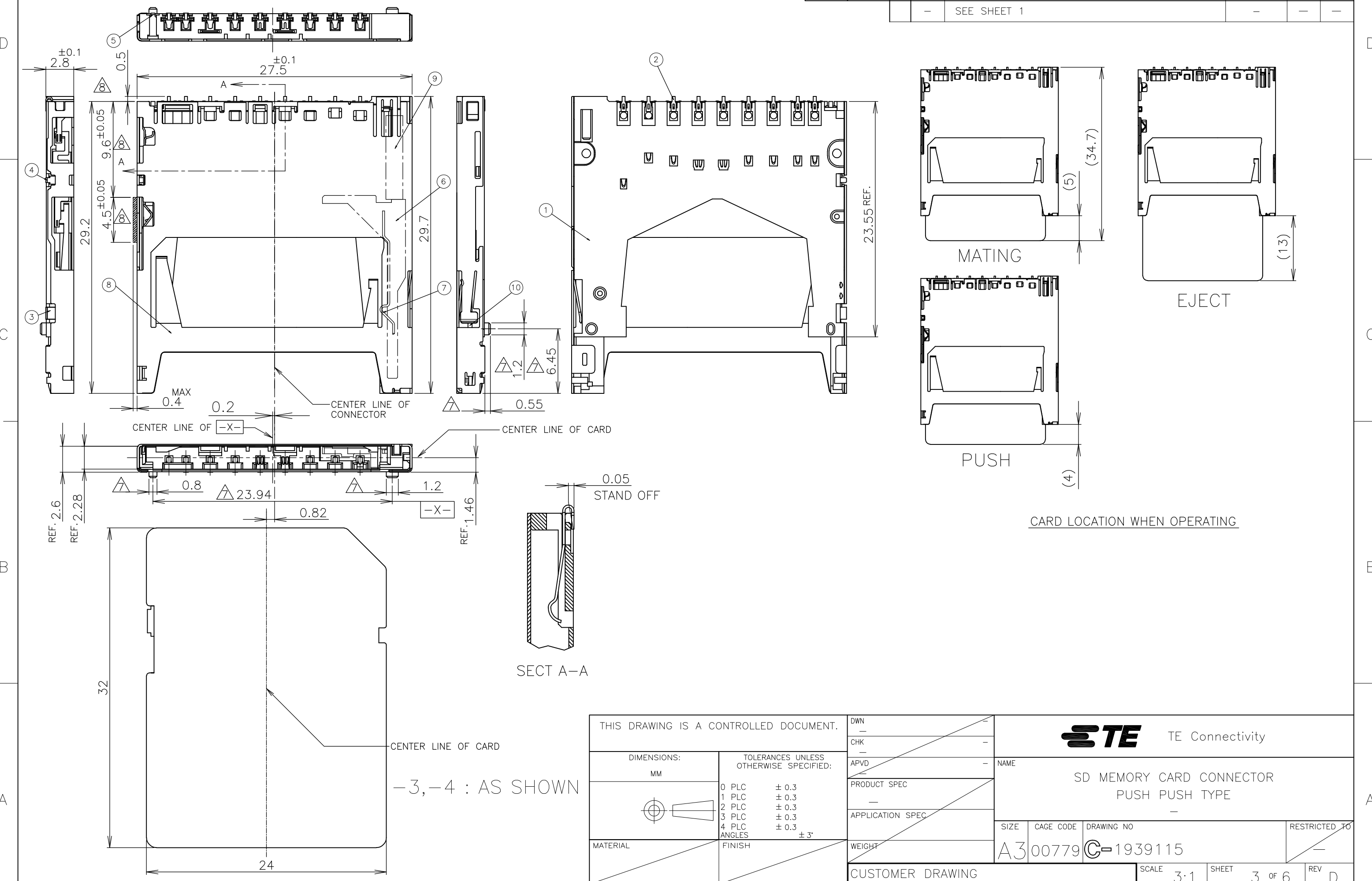
THIS DRAWING IS A CONTROLLED DOCUMENT.		DWN	-		
DIMENSIONS: MM		CHK	-		
TOLERANCES UNLESS OTHERWISE SPECIFIED:		APVD	-		
0 PLC ± 0.3		PRODUCT SPEC	-		
1 PLC ± 0.3		APPLICATION SPEC	-		
2 PLC ± 0.3		SIZE	CAGE CODE	DRAWING NO	RESTRICTED TO
3 PLC ± 0.3		A3	00779	C-1939115	-
4 PLC ± 0.3		WEIGHT	-		
ANGLES ± 3°		CUSTOMER DRAWING			
FINISH		SCALE	SHEET	REV	
		3:1	2 OF 6	D	



SD MEMORY CARD CONNECTOR
PUSH PUSH TYPE

THIS DRAWING IS UNPUBLISHED. RELEASED FOR PUBLICATION MAR , 2003.
 © COPYRIGHT 2004 By Tyco Electronics JAPAN G.K. ALL RIGHTS RESERVED.

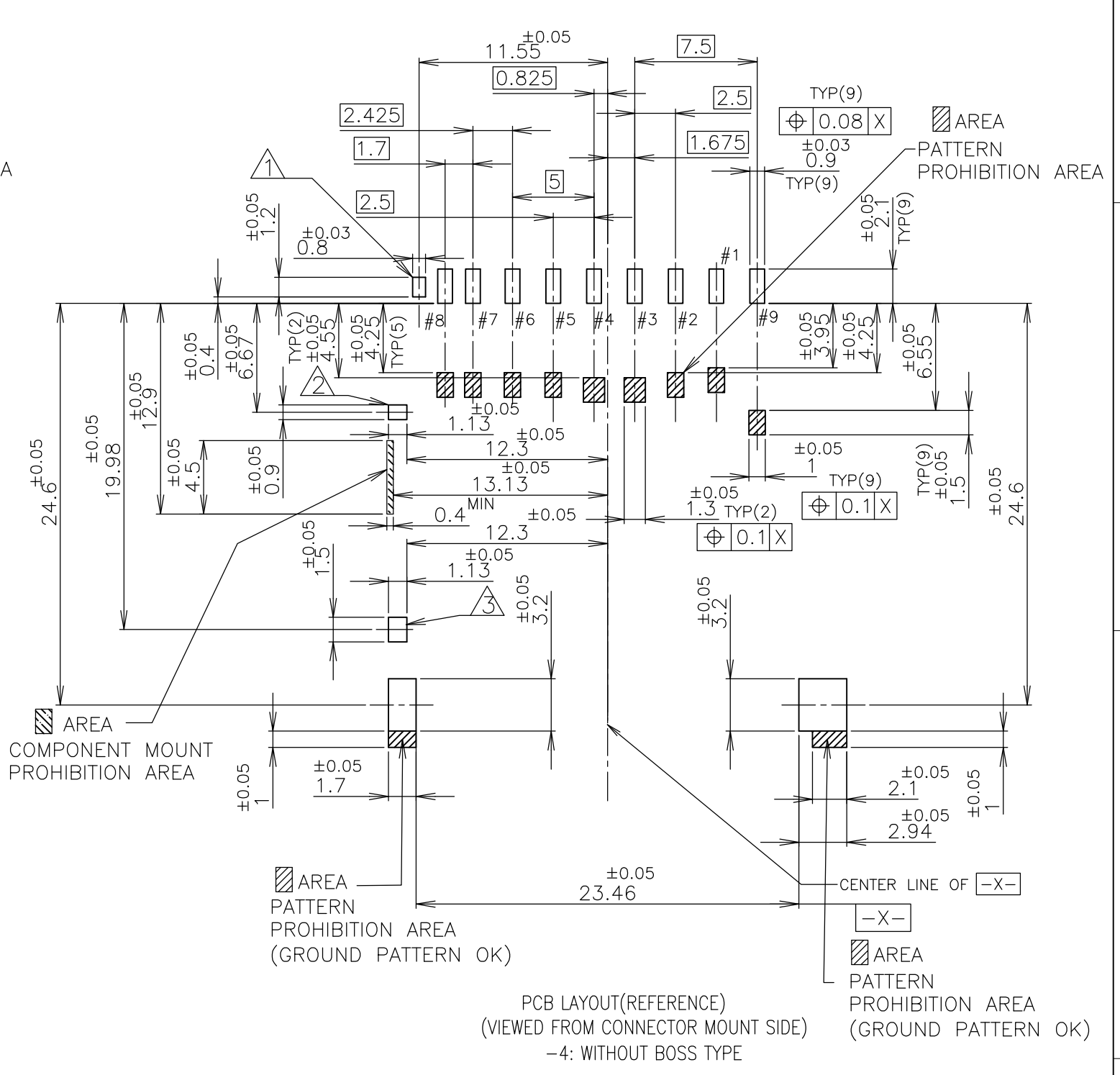
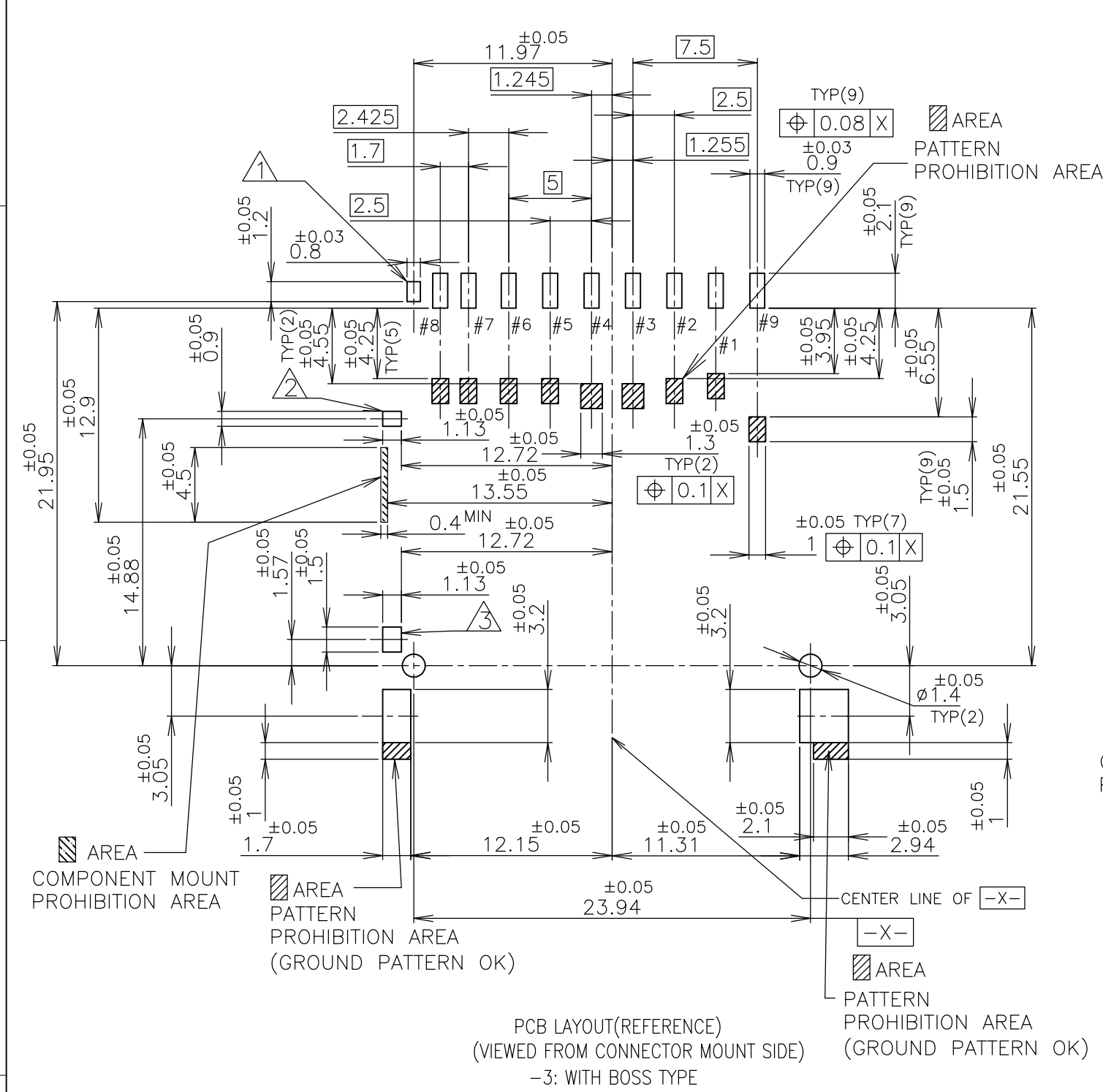
LOC	DIST	REVISIONS			
P	LTR	DESCRIPTION	DATE	DWN	APVD
J	/	SEE SHEET 1	-	-	-



THIS DRAWING IS A CONTROLLED DOCUMENT.		DWN		TE Connectivity SD MEMORY CARD CONNECTOR PUSH PUSH TYPE				
DIMENSIONS: MM		CHK						
TOLERANCES UNLESS OTHERWISE SPECIFIED:		APVD						
0 PLC ± 0.3 1 PLC ± 0.3 2 PLC ± 0.3 3 PLC ± 0.3 4 PLC ± 0.3 ANGLES ± 3°		NAME						
MATERIAL		FINISH		PRODUCT SPEC				
				APPLICATION SPEC				
				SIZE	CAGE CODE	DRAWING NO	RESTRICTED TO	
				A3	00779	C-1939115		
				CUSTOMER DRAWING		SCALE	SHEET	REV
						3:1	3 OF 6	D

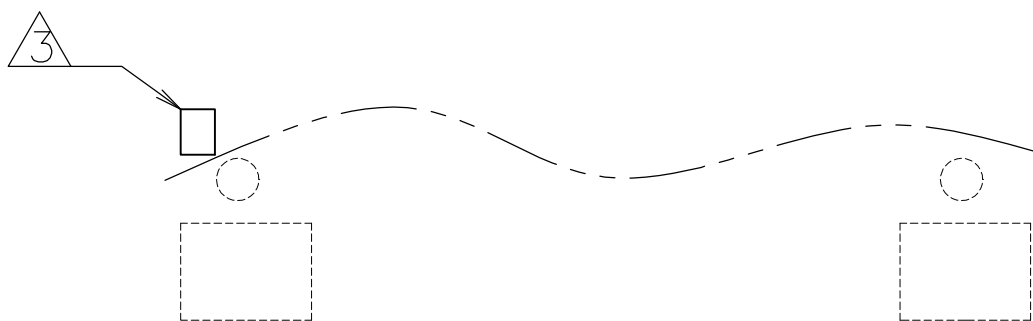
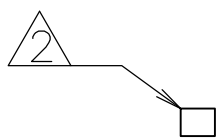
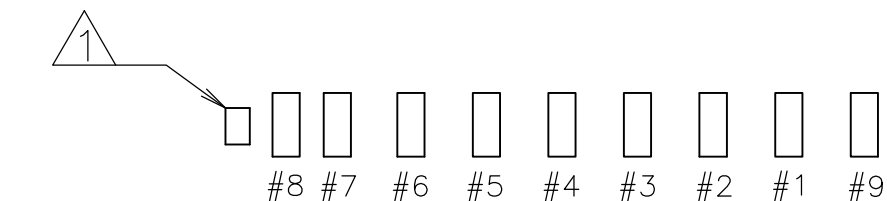
THIS DRAWING IS UNPUBLISHED. RELEASED FOR PUBLICATION MAR ,2003.
 © COPYRIGHT 2004 By Tyco Electronics JAPAN G.K. ALL RIGHTS RESERVED.

LOC	DIST	REVISIONS			
P	LTR	DESCRIPTION	DATE	DWN	APVD
J	/	SEE SHEET 1	-	-	-



THIS DRAWING IS A CONTROLLED DOCUMENT.		DWN	-		
DIMENSIONS: MM		CHK	-		
TOLERANCES UNLESS OTHERWISE SPECIFIED:		APVD	-		
0 PLC ± 0.3		PRODUCT SPEC	-		
1 PLC ± 0.3		APPLICATION SPEC	-		
2 PLC ± 0.3		SIZE	CAGE CODE	DRAWING NO	RESTRICTED TO
3 PLC ± 0.3		WEIGHT	A3	00779	C-1939115
4 PLC ± 0.3		CUSTOMER DRAWING	SCALE	SHEET	REV
ANGLES ± 3'			3:1	4 OF 6	D
FINISH		TE Connectivity SD MEMORY CARD CONNECTOR PUSH PUSH TYPE			

LOC	DIST	REVISIONS					
		P	LTR	DESCRIPTION	DATE	DWN	APVD
J	/	-	-	SEE SHEET 1	-	-	-



Pin Assignment						
Pin#	SD Mode			SPI Mode		
	Name	Type	Description	Name	Type	Description
1	CD/DAT3	I/O/PP	Card Detect/ Data Line[Bit 3]	CS	I	Chip Select(neg true)
2	CMD	PP	Command/Response	DI	I	Data In
3	Vss1	S	Supply voltage ground	VSS	S	Supply voltage ground
4	Vdd	S	Supply voltage	VDD	S	Supply voltage
5	CLK	I	Clock	SCLK	I	Clock
6	Vss2	S	Supply voltage ground	VSS2	S	Supply voltage ground
7	DAT0	I/O/PP	Data Line[Bit 0]	DO	O/PP	Data Out
8	DAT1	I/O/PP	Data Line[Bit 1]	RSV		
9	DAT2	I/O/PP	Data Line[Bit 2]	RSV		

Switch pin Assignment	
	Card detect switch
	Common terminal
	Write protect switch

THIS DRAWING IS A CONTROLLED DOCUMENT.		DWN	TE Connectivity		
DIMENSIONS: MM		CHK	NAME		
		APVD	SD MEMORY CARD CONNECTOR PUSH PUSH TYPE		
TOLERANCES UNLESS OTHERWISE SPECIFIED:		PRODUCT SPEC	-		
0 PLC ± 0.3		APPLICATION SPEC	-		
1 PLC ± 0.3		WEIGHT	SIZE	CAGE CODE	DRAWING NO
2 PLC ± 0.3		CUSTOMER DRAWING	A3	00779	C-1939115
3 PLC ± 0.3			SCALE	RESTRICTED TO	
4 PLC ± 0.3		4:1	SHEET 5 OF 6		REV D
ANGLES ± 3'					
MATERIAL	FINISH				

4

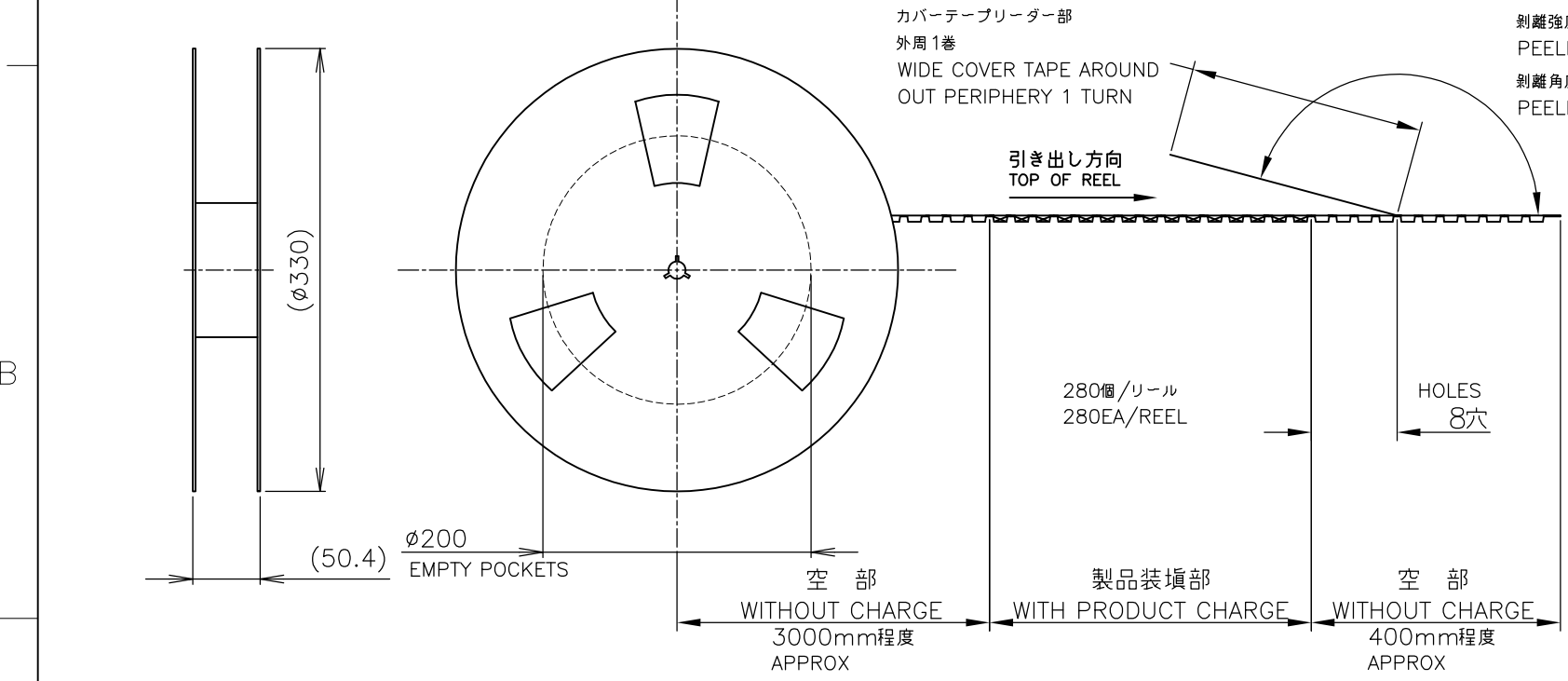
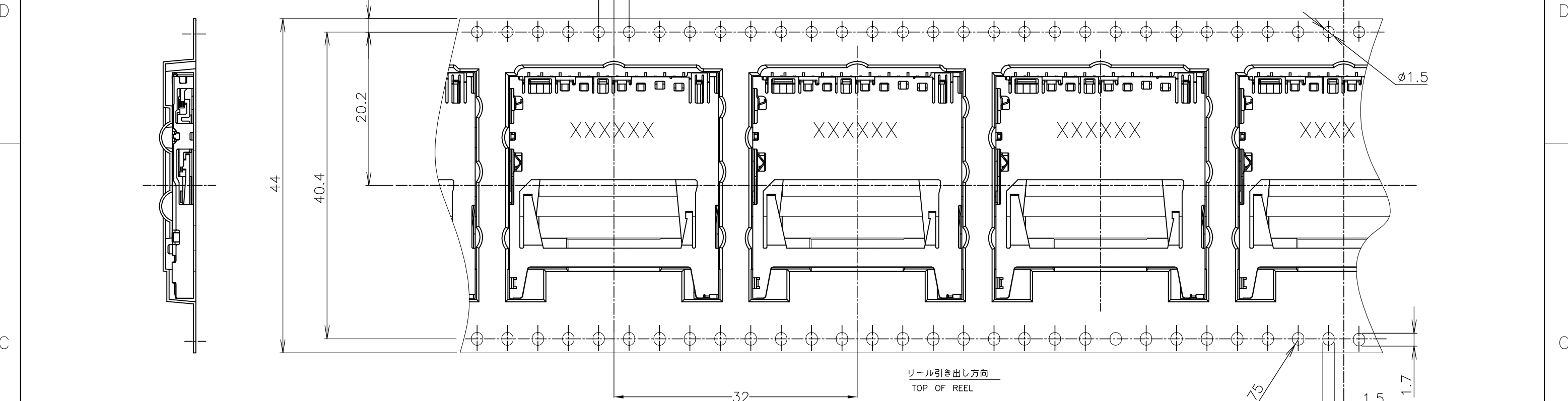
3

2

1

THIS DRAWING IS UNPUBLISHED. RELEASED FOR PUBLICATION MAR. 2003.
 © COPYRIGHT 2004 By Tyco Electronics JAPAN G.K. ALL RIGHTS RESERVED.

LOC	DIST	REVISIONS			
P	LTR	DESCRIPTION	DATE	DWN	APVD
J	/	SEE SHEET 1	-	-	-



剥離強度 1N MAX(300mm/min)
 PEELING STRENGTH
 剥離角度 165~180°
 PEELING ANGLE

THIS DRAWING IS A CONTROLLED DOCUMENT.

DIMENSIONS: MM	TOLERANCES UNLESS OTHERWISE SPECIFIED:
	0 PLC ± 0.3
	1 PLC ± 0.3
	2 PLC ± 0.3
	3 PLC ± 0.3
	4 PLC ± 0.3
	ANGLES ± 3°
MATERIAL	FINISH

DWN	---	STE TE Connectivity	NAME		
CHK	---		SD MEMORY CARD CONNECTOR PUSH PUSH TYPE		
APVD	---		---		
PRODUCT SPEC	---		---		
APPLICATION SPEC	---	SIZE	CAGE CODE	DRAWING NO	RESTRICTED TO
WEIGHT	CUSTOMER DRAWING	A3	00779	C-1939115	---
SCALE		SHEET		REV	
3:1		6 of 6		D	

X-ON Electronics

Largest Supplier of Electrical and Electronic Components

Click to view similar products for [Memory Card Connectors](#) category:

Click to view products by [TE Connectivity](#) manufacturer:

Other Similar products are found below :

[M21-033321-005](#) [6407-249V-25273P](#) [6407-249V-25343P](#) [6426-201-21343](#) [69.920.0553.0](#) [FCN-568P068-G/07-4V](#) [809180410000000](#)
[HMCAP001](#) [252-0144-000](#) [2041353-2](#) [33CFAE-DN](#) [502431-1011](#) [NX1-32T-KT3K\(05\)](#) [95622-003LF](#) [N7E50-U516RB-50-SIN0005](#) [95079-00CALF](#) [33DVIR-29S12R](#) [125A-78C00](#) [MI20A-50PD-SF-EJL\(71\)](#) [KP10S-SF-PEJ\(812\)](#) [504536-0691](#) [504580-0691](#) [CCM03-3109 B LFT](#)
[MI21-50PD-SF\(91\)](#) [2309923-1](#) [61126-050CAHLF](#) [IC1GA-68PD-1.27DS-EJ\(72\)](#) [GTFP08432B1HR](#) [G85DT17001P1EU](#)
[G85B21611142HHR](#) [GSD090144HR](#) [G85D1140022P1HR](#) [GMCB05801124EU](#) [G85C11101152HHR](#) [G85B231021B1HR](#)
[G85D1160022HHR](#) [112K-TAA0-RA1](#) [115S-ACA2](#) [115S-ACA3](#) [115S-BS00](#) [115S-BT00](#) [115V-AD00](#) [503960-0695](#) [101B-TAA0-R](#) [101D-TAAA-R01](#) [101D-TAAB-R01](#) [104D-TCA0-R06](#) [104B-TAA0-R](#) [112C-TBAR-R02](#) [114B-40B00-R02](#)