

4

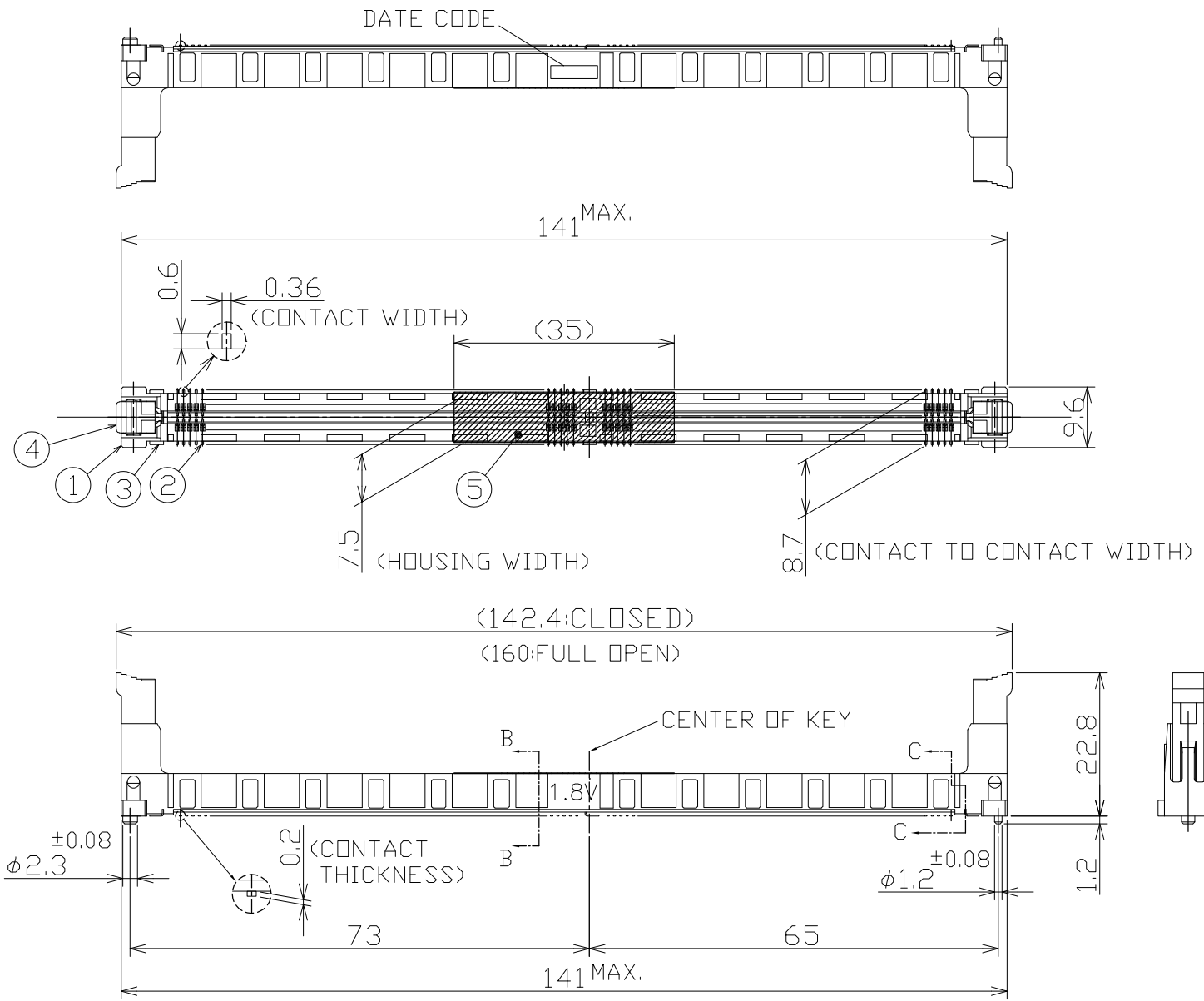
3

2

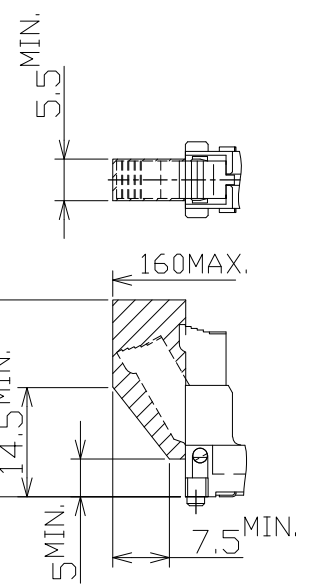
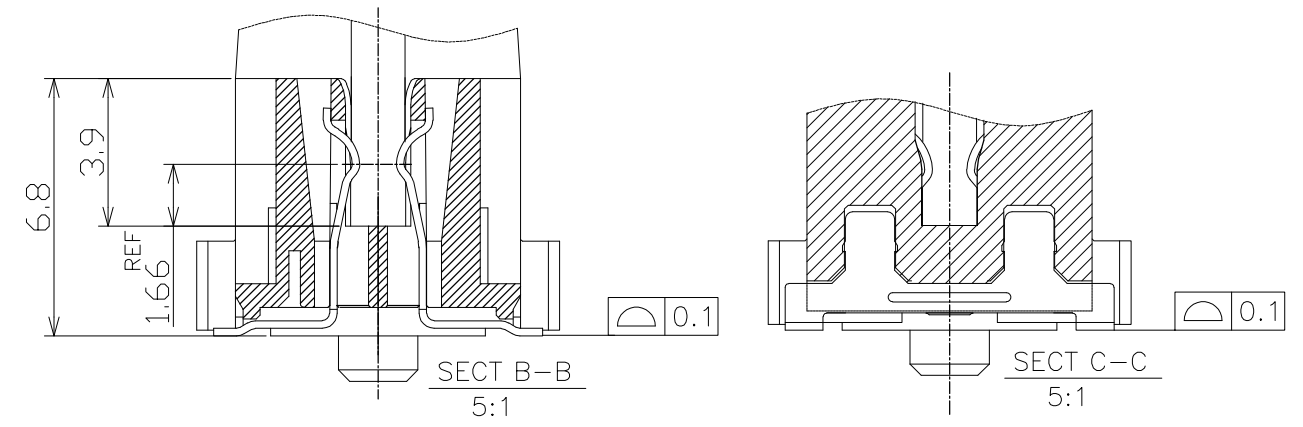
1

THIS DRAWING IS UNPUBLISHED. RELEASED FOR PUBLICATION
 © COPYRIGHT - By - ALL RIGHTS RESERVED.

LOC	DIST	REVISIONS					
J	/	P	LTR	DESCRIPTION	DATE	DWN	APVD
		C		REVISED ECR-11-019776	27SEP2011	I.T	C.W



- 1.MATERIAL**
 HOUSING : THERMOPLASTIC, UL94V-0, BLACK
 CONTACT : COPPER ALLOY
 SOLDER PEG : COPPER ALLOY
 EXTRACTOR : THERMOPLASTIC, UL94V-0
- 2.FINISH**
 CONTACT : Au PL. ON CONTACT AREA
 TIN PL. ON TINE AREA, Ni UNDER PL. ALL OVER
 SOLDER PEG : TIN PL., Ni UNDER PL. ALL OVER
- 3.GENERAL TOLERANCES :**
 10 ≥ : ±0.2
 100 ≥ >10 : ±0.3
 ANGLES : ±3°
- 4.CHECK THE EXTRACTOR IS NOT OPEN BEFORE REFLOW AT CUSTOMER LINE.**



30u" Au MIN or 3u" MIN Au+27u" Pd Ni	1-1939495-1
2u" Au MIN FLASH	1939495-4 1939495-1
CONTACT GOLD INTERFACE	PART NUMBER

2	EXTRACTOR	(4)
3	SOLDER PEG	(3)
240	CONTACT	(2)
1	HOUSING	(1)
QTY	NAME	ITEM
WITHOUT TAPE	1939495-4	
REMARKS	PART NUMBER	

1	TAPE	(5)
2	EXTRACTOR	(4)
3	SOLDER PEG	(3)
240	CONTACT	(2)
1	HOUSING	(1)
QTY	NAME	ITEM
WITH TAPE	1-1939495-1	
REMARKS	1939495-1	
	PART NUMBER	

THIS DRAWING IS A CONTROLLED DOCUMENT.

DWN	H.FUKUZAKI	27MAR07
CHK	T.YAMADA	27MAR07
APVD	T.YAMADA	27MAR07
PRODUCT SPEC	108-78453	
APPLICATION SPEC	取付適用規格	
WEIGHT	8.58g	
CUSTOMER DRAWING		

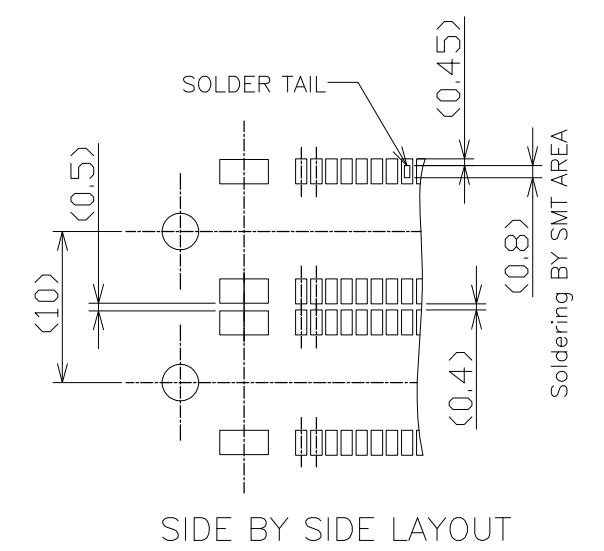
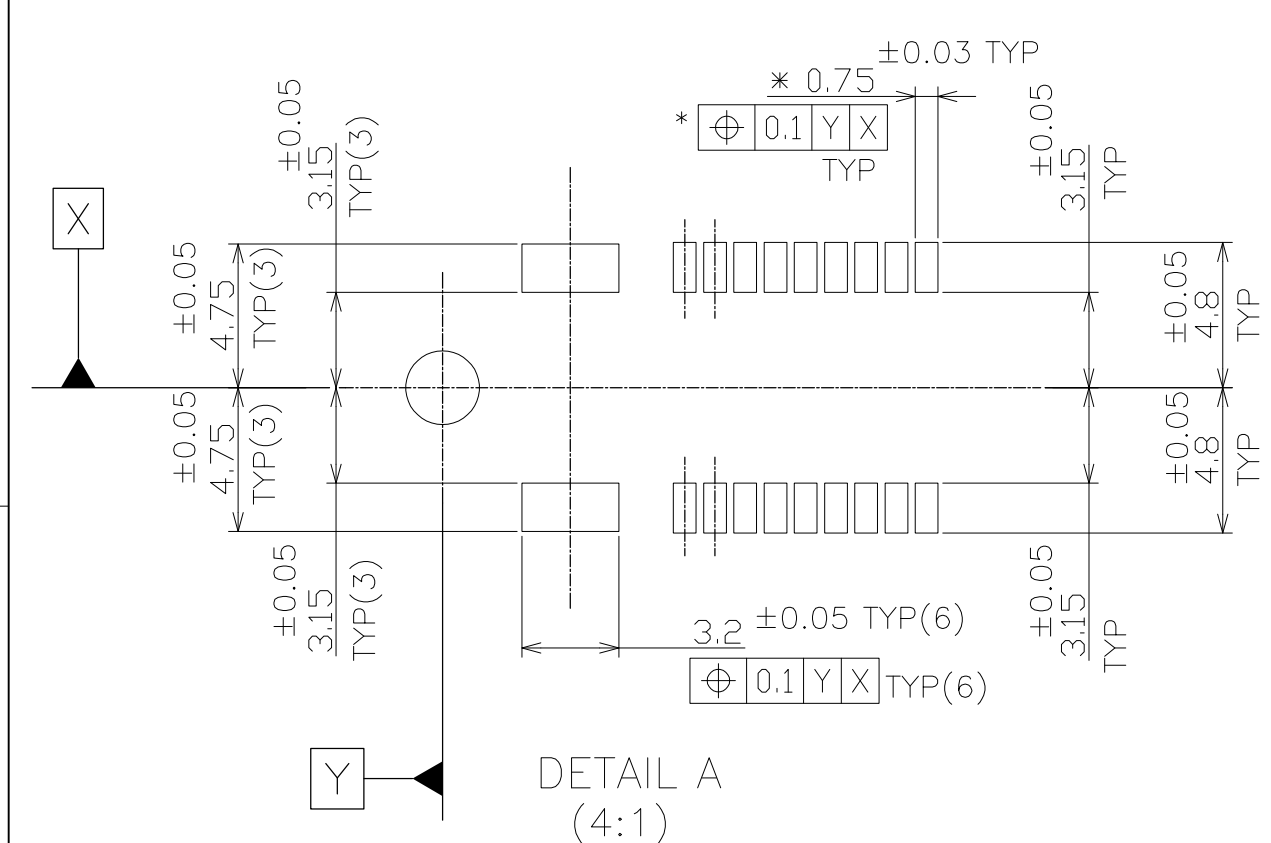
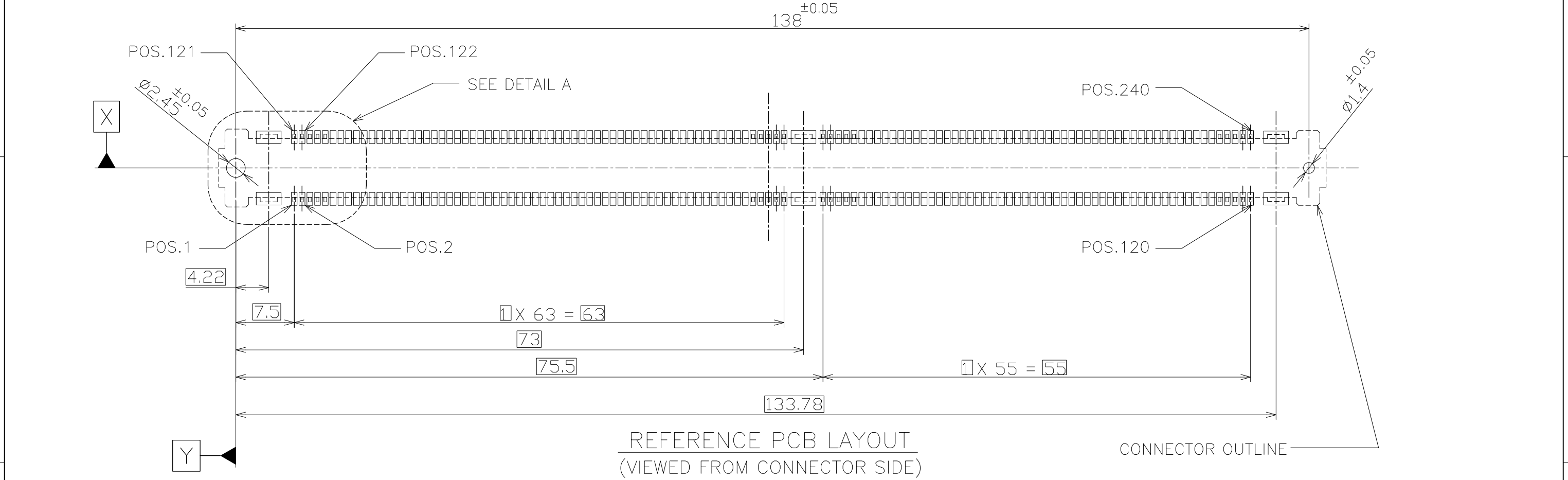
STE TE Connectivity

SOCKET ASSEMBLY
DDR-II, SMT, 240P

SIZE	CAGE CODE	DRAWING NO	RESTRICTED TO
A3	00779	C-1939495	
SCALE	1:1	SHEET	1 OF 4
REV	C		

THIS DRAWING IS UNPUBLISHED. RELEASED FOR PUBLICATION
 © COPYRIGHT - By - ALL RIGHTS RESERVED.

LOC	DIST	REVISIONS					
J	/	P	LTR	DESCRIPTION	DATE	DWN	APVD
		-	-	SEE SHEET 1	-	-	-

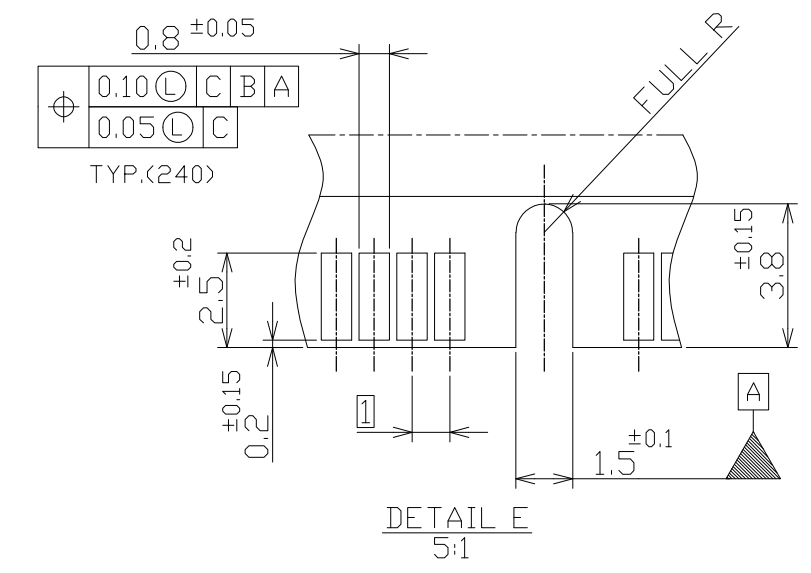
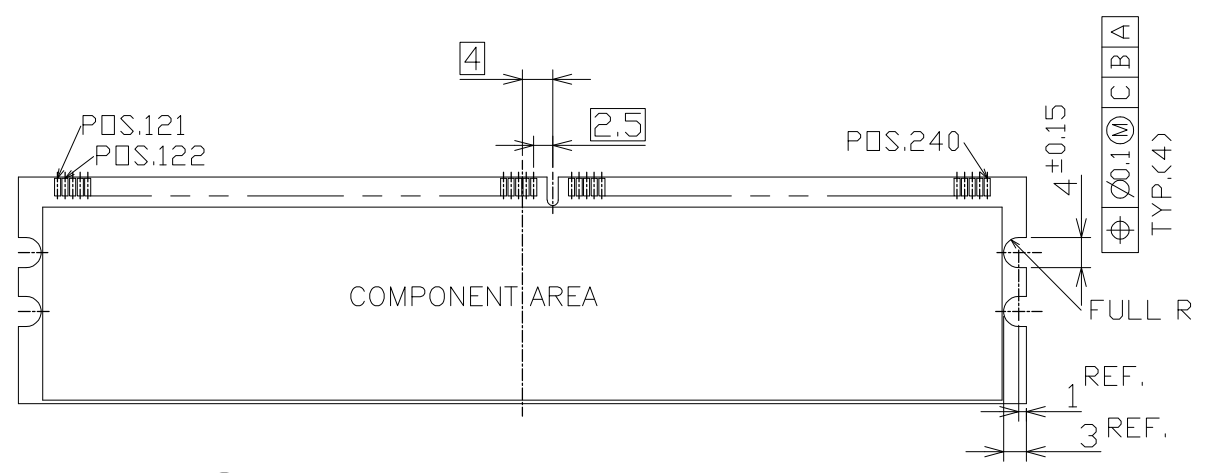
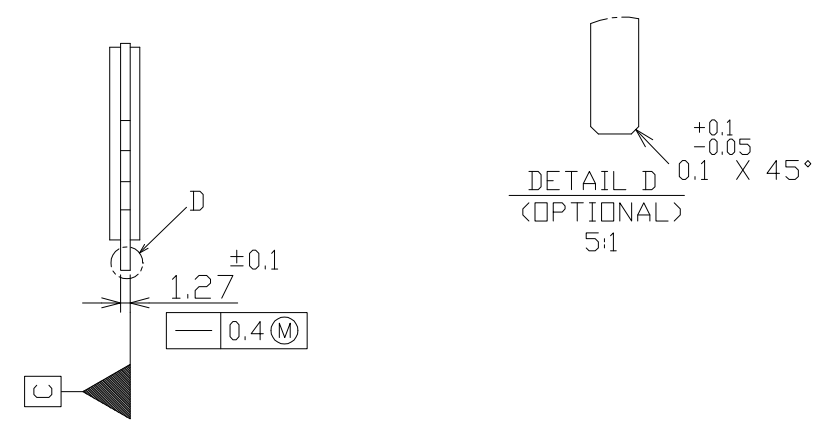
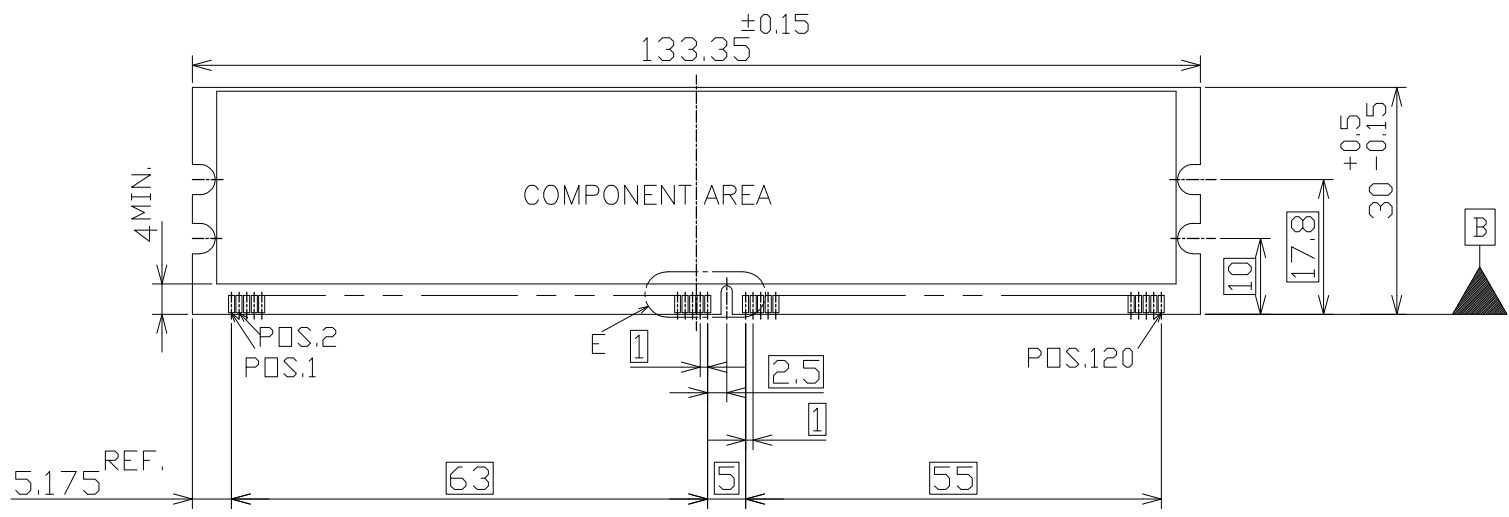


*: TOLERANCE; NON-CUMMIRATIVE

THIS DRAWING IS A CONTROLLED DOCUMENT.		DWN	-		TE Connectivity
DIMENSIONS: 单位: 耗 mm		CHK	-		
TOLERANCES UNLESS OTHERWISE SPECIFIED: 一般公差		APVD	-		SIZE A3
0 PLC ± - 1 PLC ± - 2 PLC ± - 3 PLC ± - 4 PLC ± - ANGLES ± -		PRODUCT SPEC 製品規格	-		
MATERIAL 材料		APPLICATION SPEC 取付適用規格	-		DRAWING NO 番号 C-1939495
FINISH 仕上		WEIGHT	-		
		CUSTOMER DRAWING			SCALE 尺度 2:1
					SHEET 2 OF 4
					REV C

THIS DRAWING IS UNPUBLISHED. RELEASED FOR PUBLICATION
 © COPYRIGHT - By - ALL RIGHTS RESERVED.

LOC	DIST	REVISIONS					
J	/	P	LTR	DESCRIPTION	DATE	DWN	APVD
		-	-	SEE SHEET 1	-	-	-



REV.2 REFERENCE DIMM PCB LAYOUT
 (BASED ON STANDARD OF JEDEC MO-237)

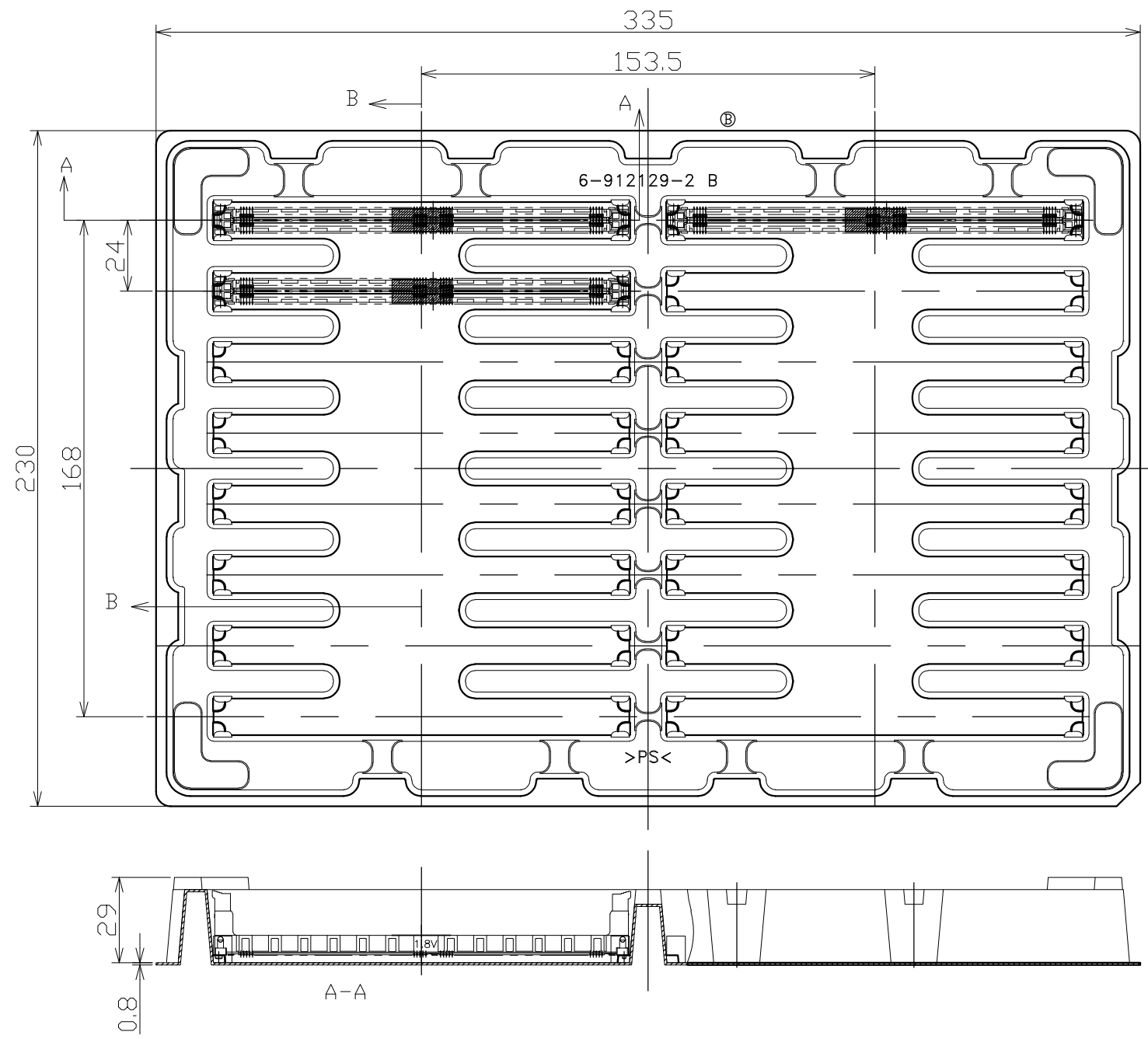
RECOMMENDED PLATING FOR CONTACT PADS ARE:

- 1) PREFERABLE PLATING : ELECTROLYTIC GOLD PLATING 0.76 MICROMETERS MINIMUM OVER ELECTROLYTIC NICKEL 2.00 MICROMETERS MINIMUM.
- 2) ALTERNATIVE PLATING : GOLD PLATING 0.05-0.75 MICROMETERS OVER NICKEL 2.00 MICROMETERS MINIMUM MUST USE AN ELECTRONIC CONTACT GRADE CORROSIVE BARRIER LUBRICANT.

THIS DRAWING IS A CONTROLLED DOCUMENT.		DWN	TE Connectivity				
DIMENSIONS: 单位: 耗 mm TOLERANCES UNLESS OTHERWISE SPECIFIED: 一般公差 0 PLC ± - 1 PLC ± - 2 PLC ± - 3 PLC ± - 4 PLC ± - ANGLES ± -		CHK				NAME 名称	SOCKET ASSEMBLY DDR-II, SMT, 240P
MATERIAL 材料		APVD	PRODUCT SPEC 製品規格	SIZE	CAGE CODE	DRAWING NO 番号	RESTRICTED TO
FINISH 仕上		WEIGHT	APPLICATION SPEC 取付適用規格	A3	00779	G-1939495	-
CUSTOMER DRAWING			SCALE 尺度	1:1	SHEET	3 OF 4	REV C

THIS DRAWING IS UNPUBLISHED. RELEASED FOR PUBLICATION
 © COPYRIGHT - By - ALL RIGHTS RESERVED.

LOC J	DIST /	REVISIONS 変更		
P	LTR	DESCRIPTION	DATE	DWN APVD
-	-	SEE SHEET 1	-	-



TRAY : A TYPE AND B TYPE
 QTY : 16EA / TRAY

THIS DRAWING IS A CONTROLLED DOCUMENT.		DWN	TE Connectivity			
DIMENSIONS: 单位: 耗 mm		CHK				
TOLERANCES UNLESS OTHERWISE SPECIFIED: 一般公差		APVD	NAME 名称			
0 PLC ± - 1 PLC ± - 2 PLC ± - 3 PLC ± - 4 PLC ± - ANGLES ± -		PRODUCT SPEC 製品規格	SOCKET ASSEMBLY DDR-II, SMT, 240P			
MATERIAL 材料		APPLICATION SPEC 取付適用規格	SIZE	CAGE CODE	DRAWING NO 番号	RESTRICTED TO
FINISH 仕上		WEIGHT	A3	00779	C-1939495	-
CUSTOMER DRAWING			SCALE 尺度	SHEET	REV	
			NTS	4 OF 4	C	

X-ON Electronics

Largest Supplier of Electrical and Electronic Components

Click to view similar products for [DIMM Connectors](#) category:

Click to view products by [TE Connectivity](#) manufacturer:

Other Similar products are found below :

[1-1932649-2](#) [1-1761024-0](#) [296409204002856+](#) [1932180-2](#) [10086891-052TSLF](#) [59355-052FSLF](#) [5390471-1](#) [2309413-3](#) [10033853-052ASLF](#)
[87782-6003](#) [KIT-SODIMM-1X16GB/01](#) [10129206-0010013LF](#) [2309409-2](#) [0780350001](#) [0780350301](#) [0783150011](#) [0878030012](#)
[75.963AT.G020C](#) [78.B1GDE.AF1](#) [10078239-11103LF](#) [6-390322-1](#) [2013311-1](#) [2309410-1](#) [10116658-152FSLF](#) [1-1735438-3](#) [1-1735413-1](#)
[78730-1002](#) [78726-1002](#) [2013310-1](#) [390111-1](#) [1735438-3](#) [78373-0011](#) [2308107-1](#) [2-2308107-1](#) [2309411-1](#) [5-1746530-4](#) [2309408-1](#)
[2309409-1](#) [151134-0001](#) [296406200001856+](#) [2309407-1](#) [FCN-074J240-G/1D](#) [FCN-074B288-G/2D](#) [2309414-1](#) [10081530-12208LF](#) [151080-0001](#) [78321-0001](#) [78726-1004](#) [87705-1053](#) [19320](#)