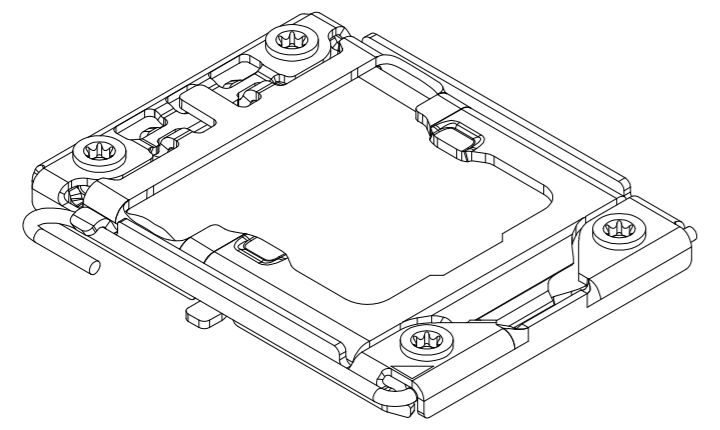
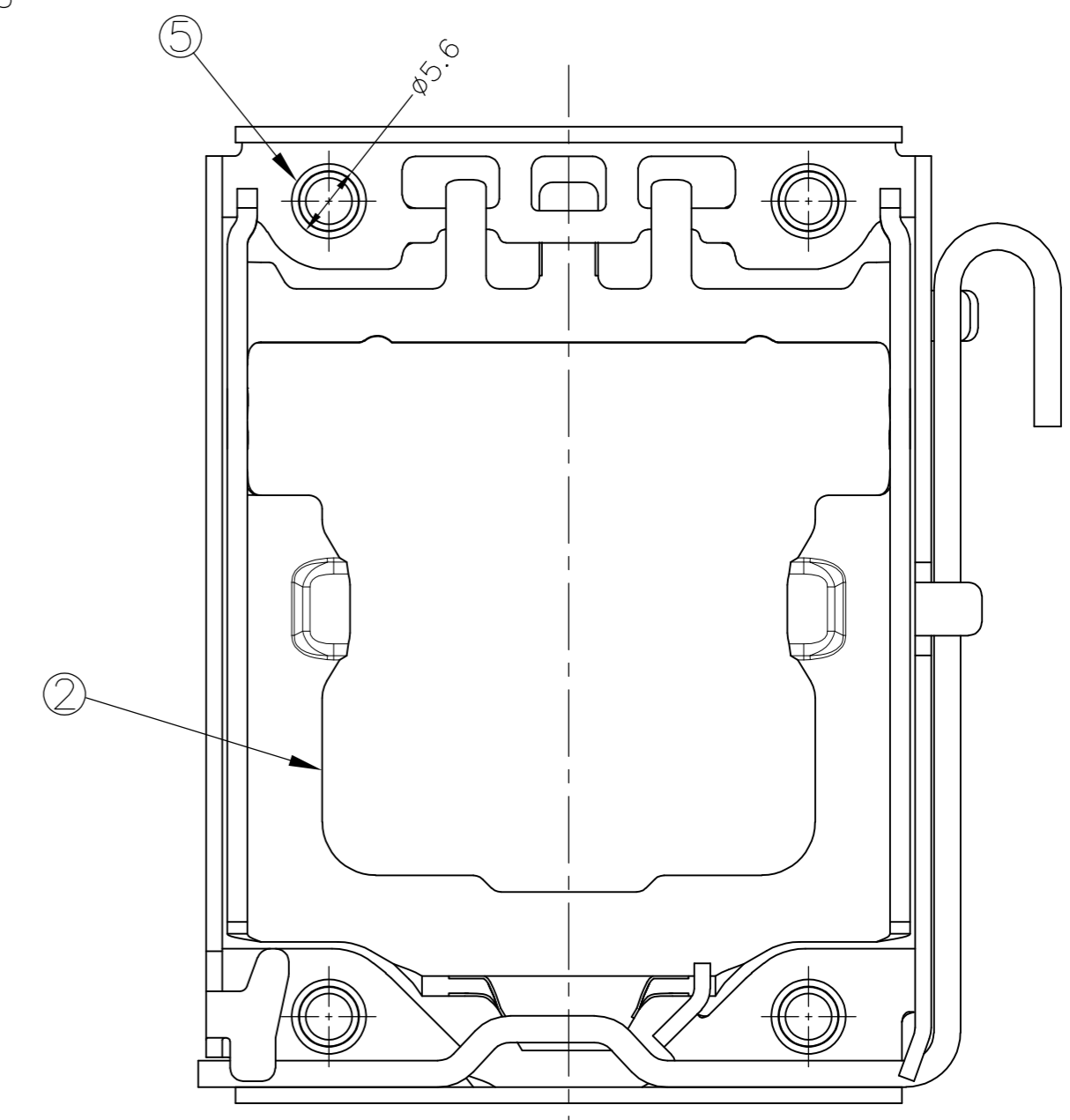
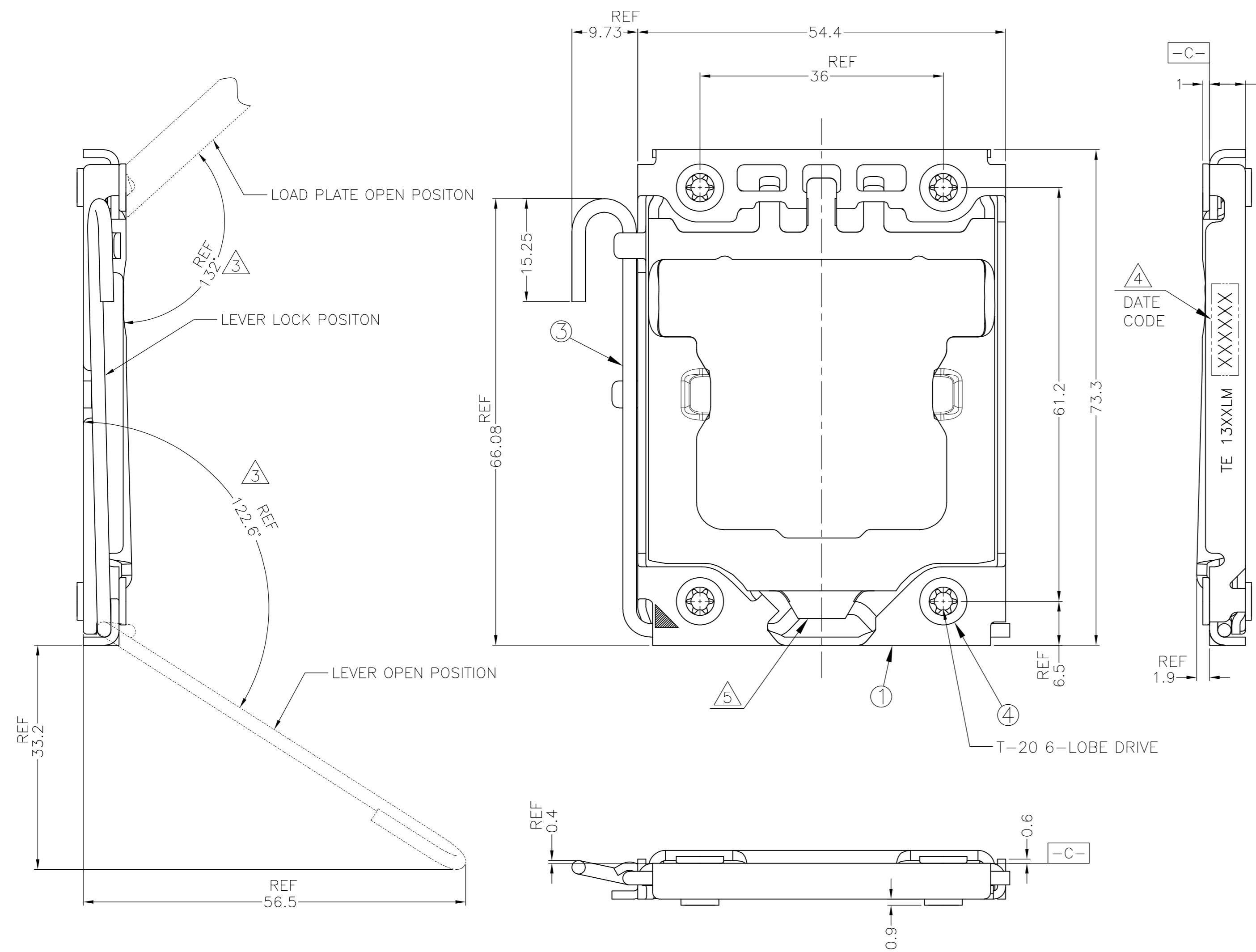


THIS DRAWING IS UNPUBLISHED. RELEASED FOR PUBLICATION MAY 2011.
 © COPYRIGHT 2011 By Tyco Electronics Japan G.K. ALL RIGHTS RESERVED.

LOC		DIST		REVISIONS			
P	LTR	DESCRIPTION	DATE	DWN	APVD		
J	-	U1	REVISED	20MAY'15	J.W	C.W	



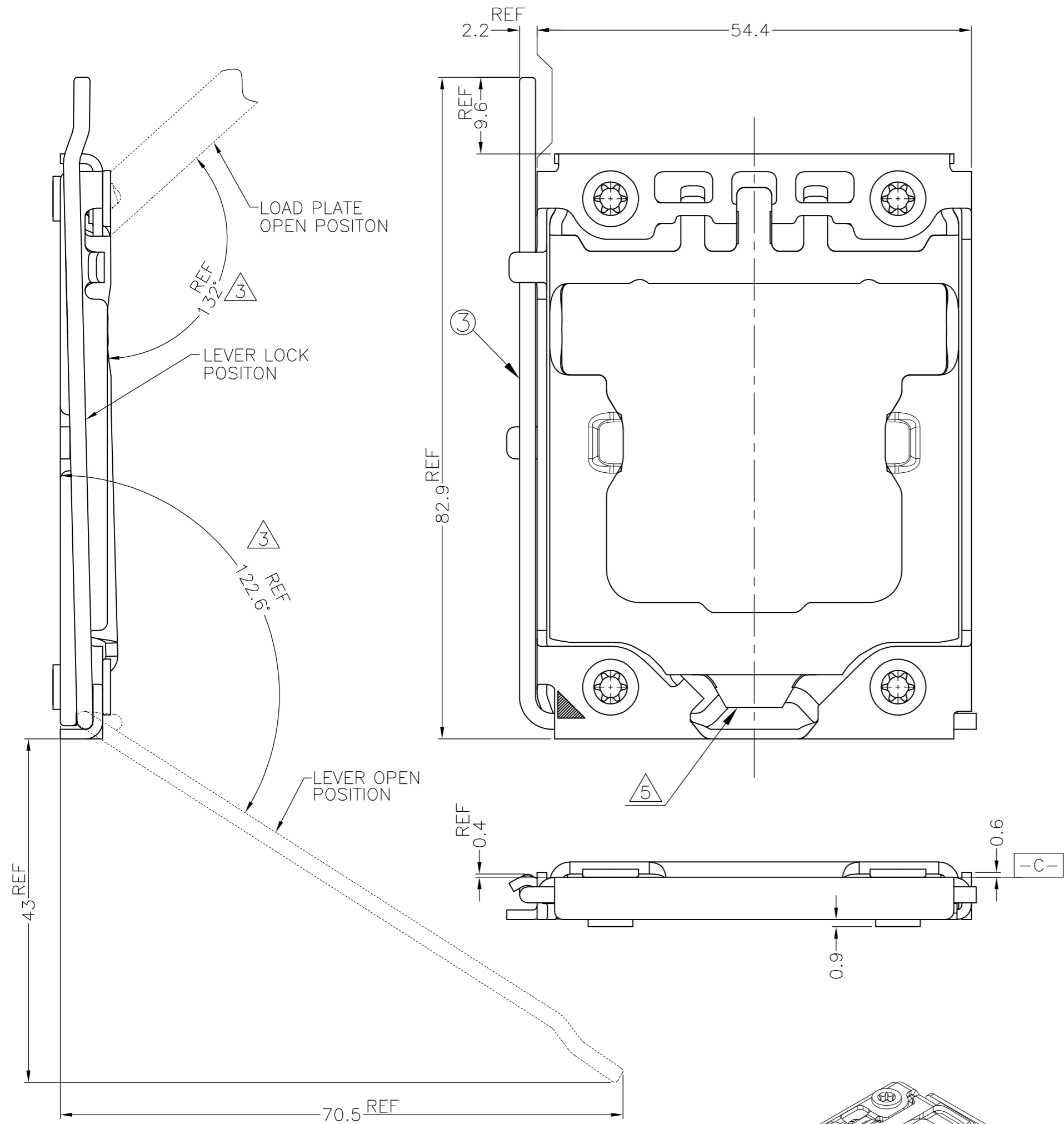
3D VIEW (REFERENCE)

1939738-1 : AS SHOWN

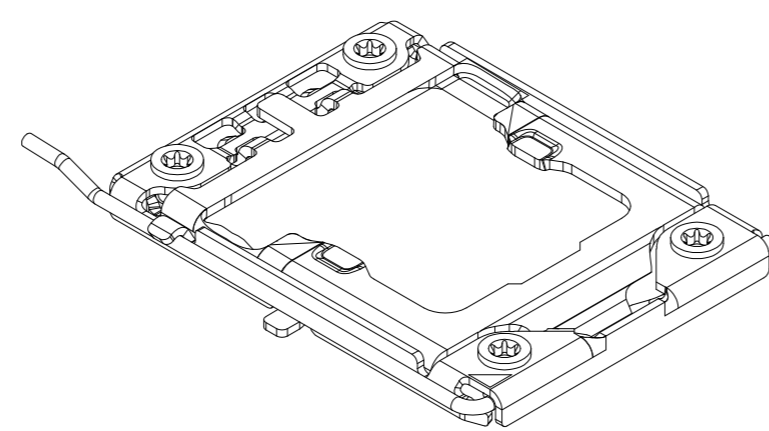
WEIGHT(g)	DESCRIPTION	PART NUMBER
47.1	U LEVER TYPE WITH COVER	2-1939738-1
44.2	SHORT STRAIGHT LEVER TYPE	1-1939738-1
44.0	STRAIGHT LEVER TYPE	1-1939738-2
44.2	U LEVER TYPE	1939738-1

THIS DRAWING IS A CONTROLLED DOCUMENT.		DWN H.TAGUCHI 17DEC2007	TE TE Connectivity	
DIMENSIONS: mm		CHK S.HASHIMOTO 17DEC2007		
TOLERANCES UNLESS OTHERWISE SPECIFIED:		APVD S.HASHIMOTO 17DEC2007	NAME	
0 PLC ±	±0.3	PRODUCT SPEC	ILM COVER ASSY LGA13XX	
1 PLC ±	±3	APPLICATION SPEC	108-78496	
2 PLC ±			114-5432	
3 PLC ±			SIZE A2	CAGE CODE 00779
4 PLC ±			DRAWING NO C=1939738	RESTRICTED TO -
ANGLES ±			MATERIAL FINISH	
MATERIAL		WEIGHT SEE TABLE	SCALE 2:1 SHEET 1 of 3 REV U1	
		CUSTOMER DRAWING		

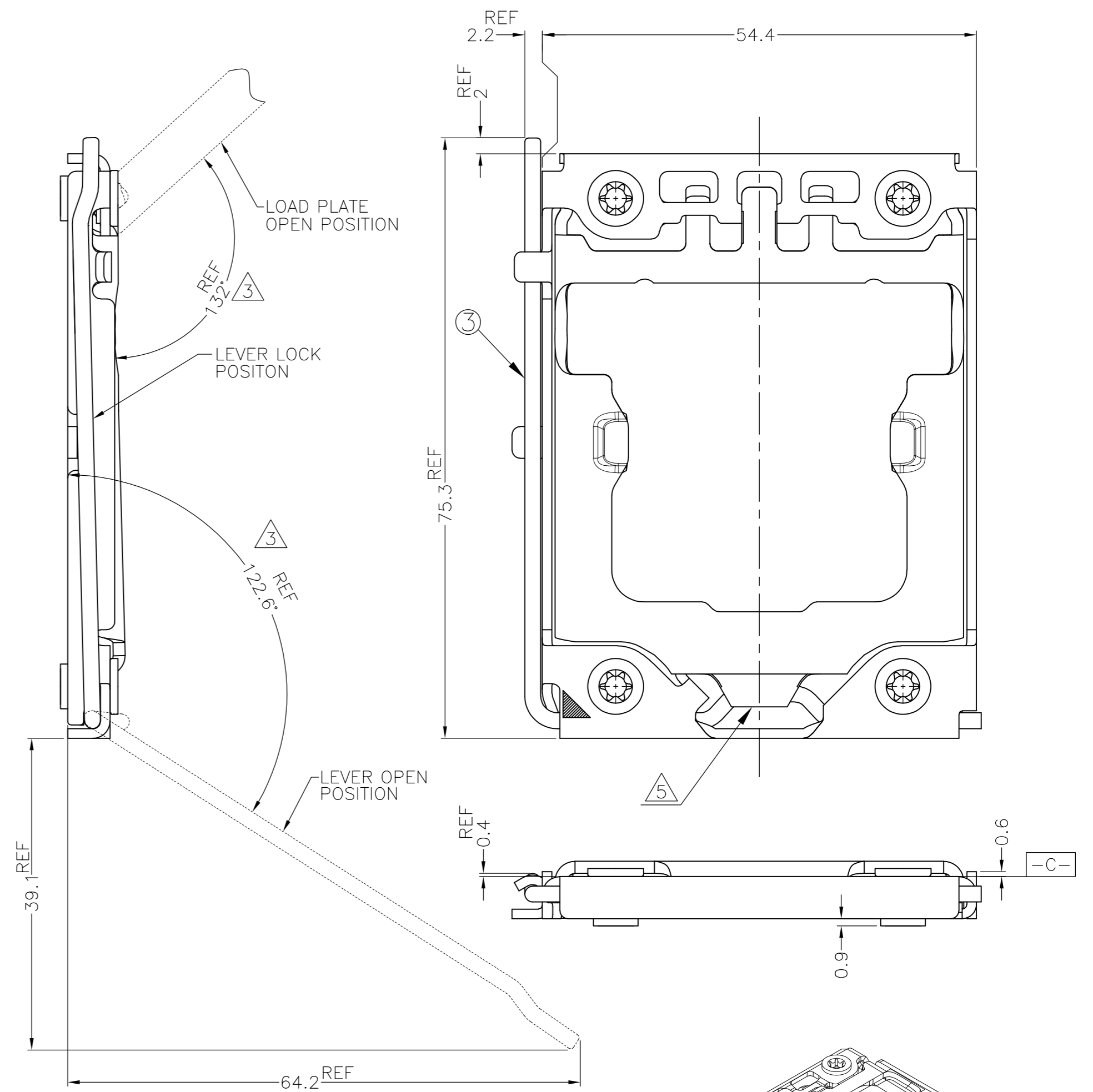
LOC		DIST		REVISIONS			
P	LTR	DESCRIPTION	DATE	DWN	APVD		
-	-	SEE SHEET 1	-	-	-		



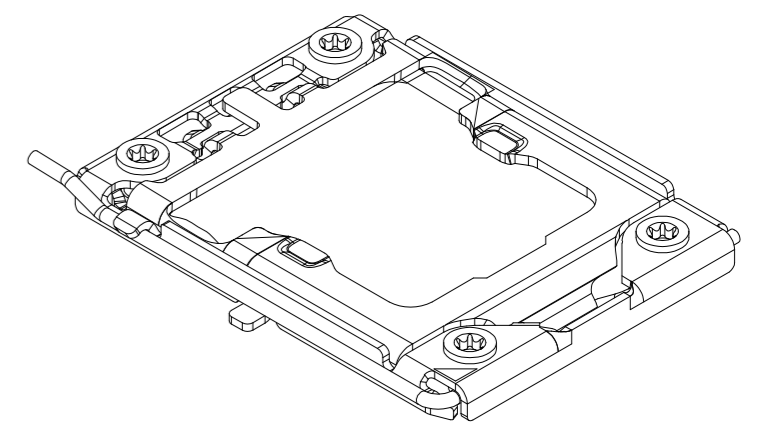
1-1939738-2 : AS SHOWN



3D VIEW (REFERENCE)



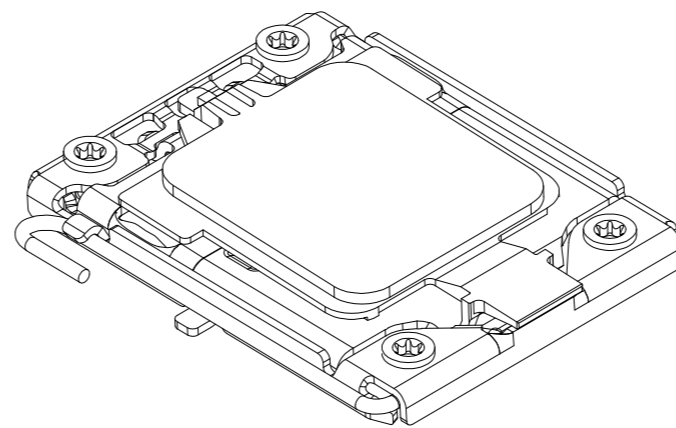
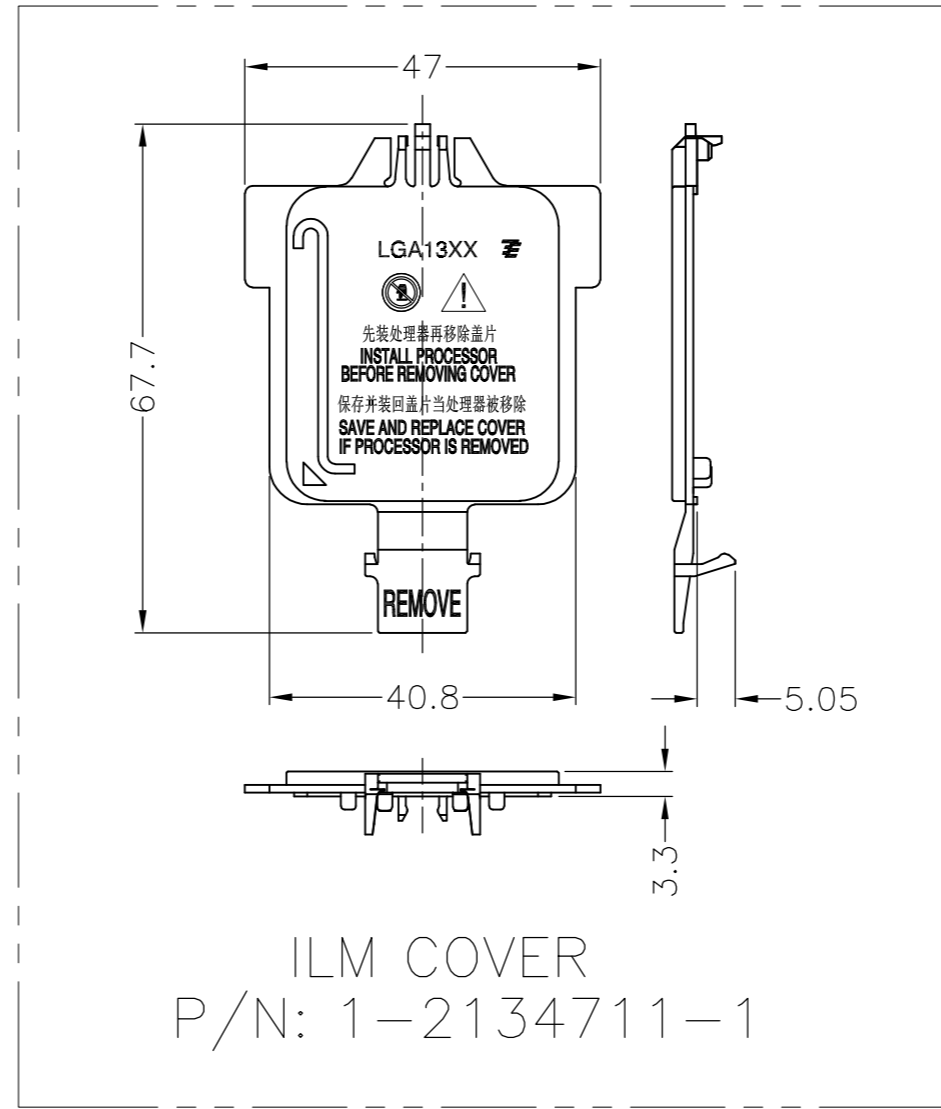
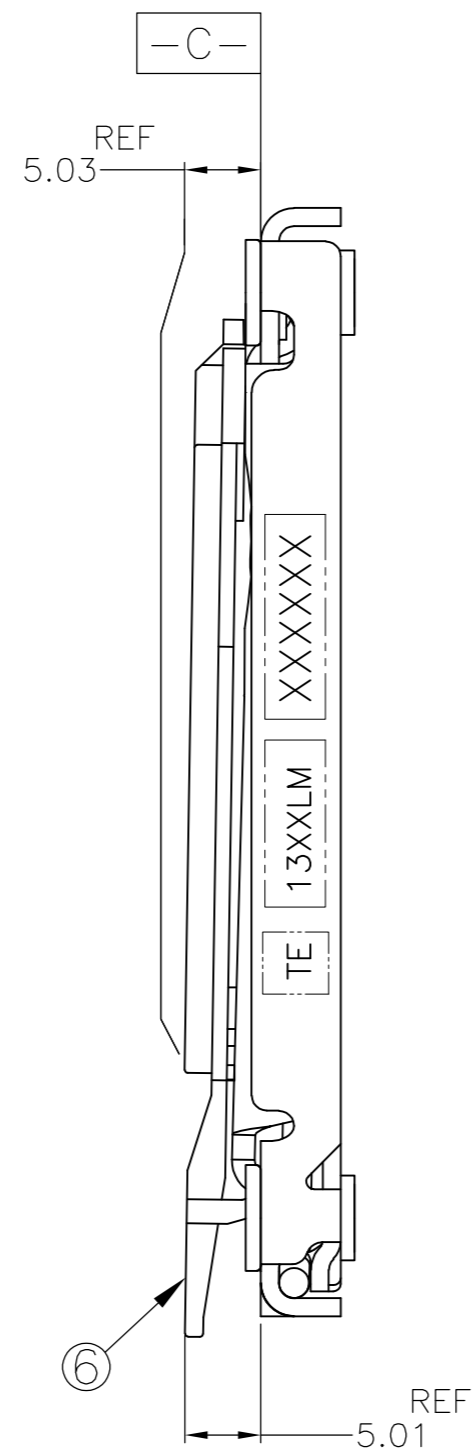
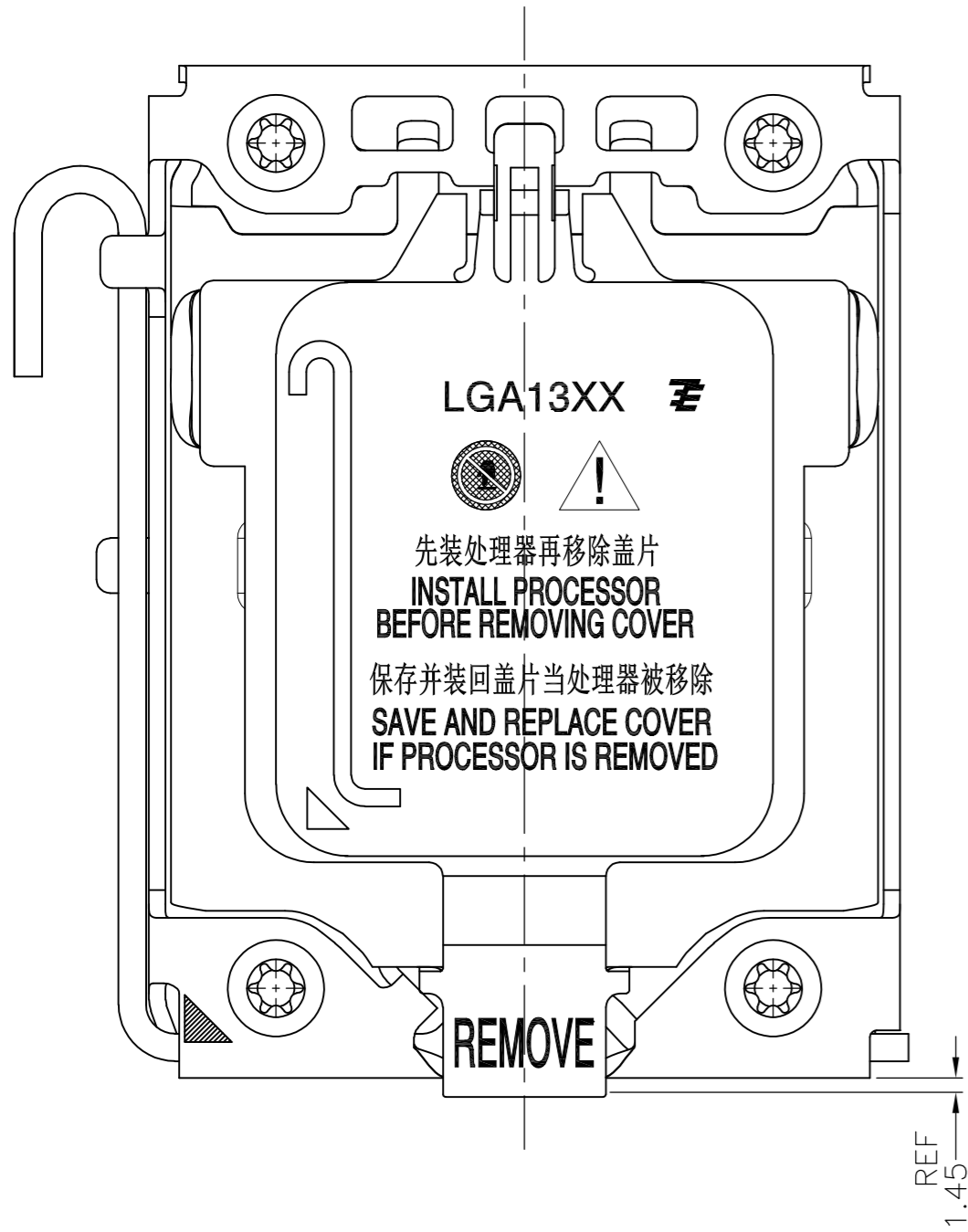
1-1939738-1 : AS SHOWN



3D VIEW (REFERENCE)

THIS DRAWING IS A CONTROLLED DOCUMENT.		DWN			NAME ILM COVER ASSY LGA13XX	
DIMENSIONS: mm		CHK				
TOLERANCES UNLESS OTHERWISE SPECIFIED 0 PLC ± 1 PLC ± 2 PLC ± 3 PLC ± 4 PLC ± ANGLES ± FINISH		APVD	PRODUCT SPEC		SIZE	RESTRICTED TO
MATERIAL		APVD	APPLICATION SPEC		CAGE CODE	
		WEIGHT	CUSTOMER DRAWING		DRAWING NO	
					A2 00779 C=1939738	
					SCALE	SHEET
					NTS	2 of 3
					REV	U1

LOC	DIST	REVISIONS					
		P	LTR	DESCRIPTION	DATE	DWN	APVD
J	-	-	-	SEE SHEET 1	-	-	-



3D VIEW (REFERENCE)

- MATERIAL
 - FRAME: STAINLESS STEEL
 - LOAD PLATE: STAINLESS STEEL
 - LEVER: SUS304, 2 DIA
FINISH: NICKEL PLATING
 - NUT: STEEL
FINISH: NICKEL PLATING
 - COLLAR: STEEL
FINISH: NICKEL PLATING
 - COVER: THERMO-PLASTIC, UL94 V-0, BLACK
- APPLICABLE SOCKET ASSY LGA1366 OR SOCKET ASSY LGA1356 (DRAWING NUMBER: 1981837 OR 1554116 OR 2229732)
 - DO NOT OPEN WITH FORCE FROM OPEN END
 - INDICATED DATE CODE ON THE FRAME
 - LOAD PLATE IS NOT LOCKED BY LEVER

2-1939738-1 : AS SHOWN
UNLESS SPECIFIED
DIMENSIONS ARE SAME WITH -1

THIS DRAWING IS A CONTROLLED DOCUMENT.		DWN			
DIMENSIONS: mm		CHK			
TOLERANCES UNLESS OTHERWISE SPECIFIED		APVD	NAME		
0 PLC ±		PRODUCT SPEC	ILM COVER ASSY		
1 PLC ± -		APPLICATION SPEC	LGA13XX		
2 PLC ± -		WEIGHT	SIZE	CAGE CODE	DRAWING NO
3 PLC ± -		MATERIAL	A2	00779	C=1939738
4 PLC ± -			CUSTOMER DRAWING	SCALE	SHEET
ANGLES ± -		FINISH	NTS	3 OF 3	REV U1

X-ON Electronics

Largest Supplier of Electrical and Electronic Components

Click to view similar products for IC & Component Sockets category:

Click to view products by TE Connectivity manufacturer:

Other Similar products are found below :

[0066-3-17-15-30-14-02-0](#) [670](#) [672](#) [673](#) [694-13-640-00-672-000](#) [712-93-120-41-001000](#) [714-93-104-31-018000](#) [8059-4G1-LF](#) [807-22-001-10-001101](#) [807-22-001-10-006101](#) [807-22-001-30-011101](#) [807-22-001-30-012101](#) [807-22-001-30-013101](#) [807-22-001-30-014101](#) [8-1437531-4](#) [8150-6P10](#) [833-93-034-10-001000](#) [851-41-006-10-001000](#) [851-43-008-20-001000](#) [851-43-014-20-001000](#) [851-93-006-20-001000](#) [851-93-010-20-001000](#) [853-43-020-10-001000](#) [86.010.0053.0](#) [116-43-308-41-007000](#) [PX-68LCC](#) [121-13-318-41-001000](#) [121-13-320-41-001000](#) [121-13-308-41-001000](#) [123-43-314-41-801000](#) [123-43-420-41-001000](#) [122-13-316-41-001000](#) [123-13-624-41-001000](#) [123-43-306-41-001000](#) [12-3513-11](#) [123-91-320-41-001000](#) [126-43-310-41-002000](#) [AKSUN 37V-T](#) [1437503-9](#) [1437504-1](#) [146-44-308-41-013000](#) [146-43-308-41-012000](#) [160-10-308-00-001000](#) [160-40-320-00-001000](#) [214-99-306-01-670800](#) [232-1270-02-0602](#) [2-382761-4](#) [2-5331677-4](#) [2-640360-3](#) [2801-2-00-50-00-00-07-0](#)