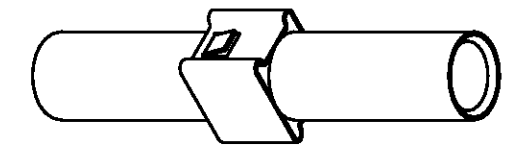
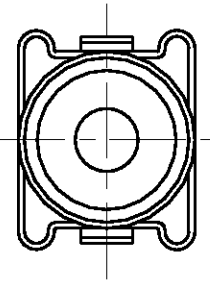
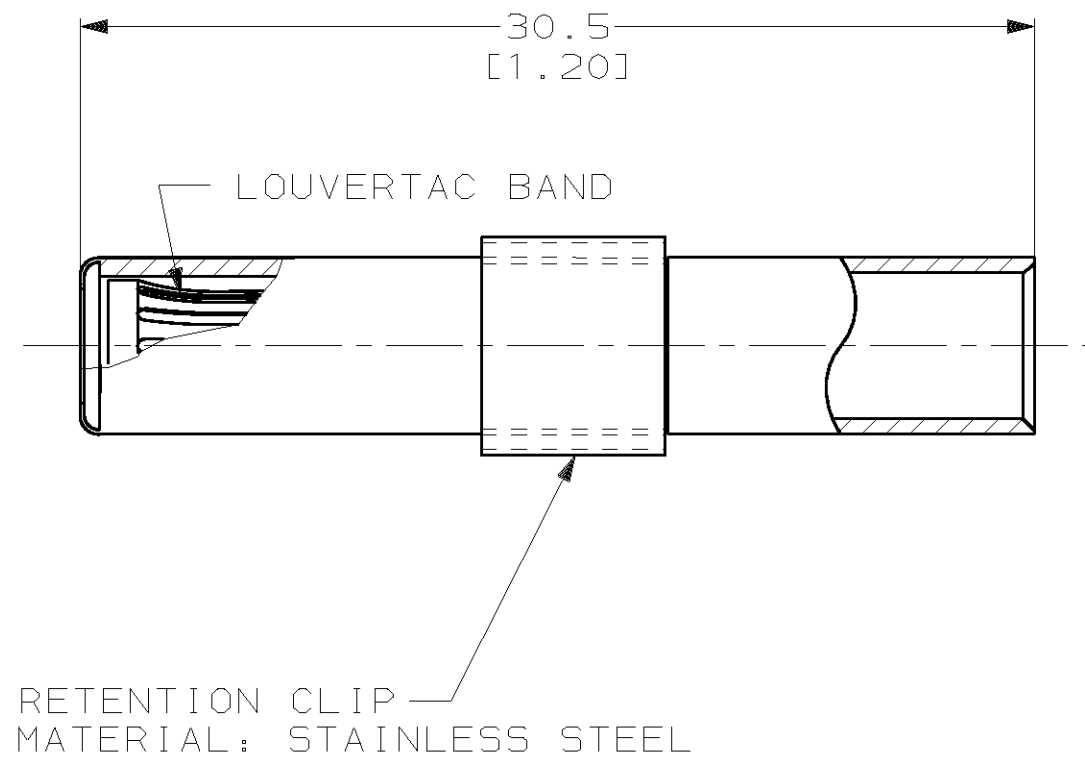


THIS DRAWING IS UNPUBLISHED. RELEASED FOR PUBLICATION, 19 .
© COPYRIGHT 19 BY AMP INCORPORATED. ALL INTERNATIONAL RIGHTS RESERVED.

LOC DIST
CH 11 P F

REVISIONS				
ZONE	LTR	DESCRIPTION	DATE	APPD
	D	EC 0B20-0791-98	30/JUN/98	DAP
	C	EC 0B20-0671-98	27/MAY/98	RNP
	B	ECN 95013002	01-30-95	CMS

- 1. MATERIAL: COPPER ALLOY
- 2. FINISH: 30 MICROINCHES MIN. GOLD OVER 50 MICROINCHES MIN. NICKEL.
- 3. WIRE BARREL WILL ACCEPT #8 AWG WIRE
- 4. MATES WITH AMP P/N 193991-X.
- 5. FINISH: 200 MICROINCHES MIN. SILVER OVER 40 MICROINCHES MIN. NICKEL.
- 6. ALL DIMENSIONS ARE REFERENCE ONLY.



	5	193990-2
	2	193990-1
OBSOLETE	FINISH	PART NO

DO NOT SCALE PRINT. UNLESS SPECIFIED DIMENSIONS IN mm [INCHES] TOLERANCES ON: 2 PLC DEC ± - 3 PLC DEC ± - ANGLES ± -	DR 04-13-94 D.A.P.	AMP AMP Incorporated Harrisburg, PA 17105-3608	
MATERIAL 1	CHK -	NAME SOCKET ASSEMBLY, TYPE XII HIGH CURRENT #8 AWG	
FINISH 2 5	APPD -	SIZE B	CAGE CODE 00779
	APPD -	DRAWING NO C-193990	
	PRODUCT SPEC -	SCALE	SHEET 1 OF 1
	APPLICATION SPEC -		
	WEIGHT -		

THIS DRAWING IS A CONTROLLED DOCUMENT FOR AMP INCORPORATED. IT IS SUBJECT TO CHANGE AND THE CONTROLLING ENGINEERING ORGANIZATION SHOULD BE CONTACTED FOR THE LATEST REVISION.

X-ON Electronics

Largest Supplier of Electrical and Electronic Components

Click to view similar products for [Standard Circular Contacts](#) category:

Click to view products by [TE Connectivity](#) manufacturer:

Other Similar products are found below :

[RC16M23J](#) [133780-1](#) [RM20M13D28](#) [RM24M9D28](#) [RMMX110-1D28](#) [MS3474W10-6P L/C](#) [ELVP16100E](#) [164-901-CD](#) [EN3545007SCE](#)
[BV002BSQ20049CZ](#) [BV002SSQ160404CZ](#) [1900ND05S1B00B](#) [166566-1](#) [1900ND04S1X00D](#) [ST-JL05-16S-C3-100](#) [ST-JL05-20S-C1-100](#)
[ST-JL05-20S-C2-100](#) [T01-CRIMP-S03](#) [APK-SA16A07-002](#) [27963-15T12](#) [CONT-JL05-08S-C2-10](#) [CONT-JL05-12S-C1-10](#) [RC16M-23T](#)
[RFD26L-1D28](#) [BV002ASJ16049CW](#) [JN1-22-20S-R-PKG100](#) [031-50213](#) [031-50565](#) [031-50794](#) [SJS861301M](#) [ST-JL05-16S-C1-100](#) [ST-](#)
[JL05-20P-C1-100](#) [82911466K](#) [192991-0087](#) [192900-0570](#) [44-100-1414P-1000-101](#) [T3P16FC3LZ](#) [ST-JL05-16S-C2-3500](#) [ZP-4016-10NF](#)
[CONT-JL05-12P-C1-10](#) [RM20M12G8D28](#) [031-50676](#) [12115010110](#) [RJFTVC2MG](#) [CAP-DACMDPC2](#) [031-50675-002](#) [CAP-DD1FDPC2](#)
[CAP-DACMDPC1](#) [031-50966-010](#) [ASSP-10-F-A-C-SA](#)