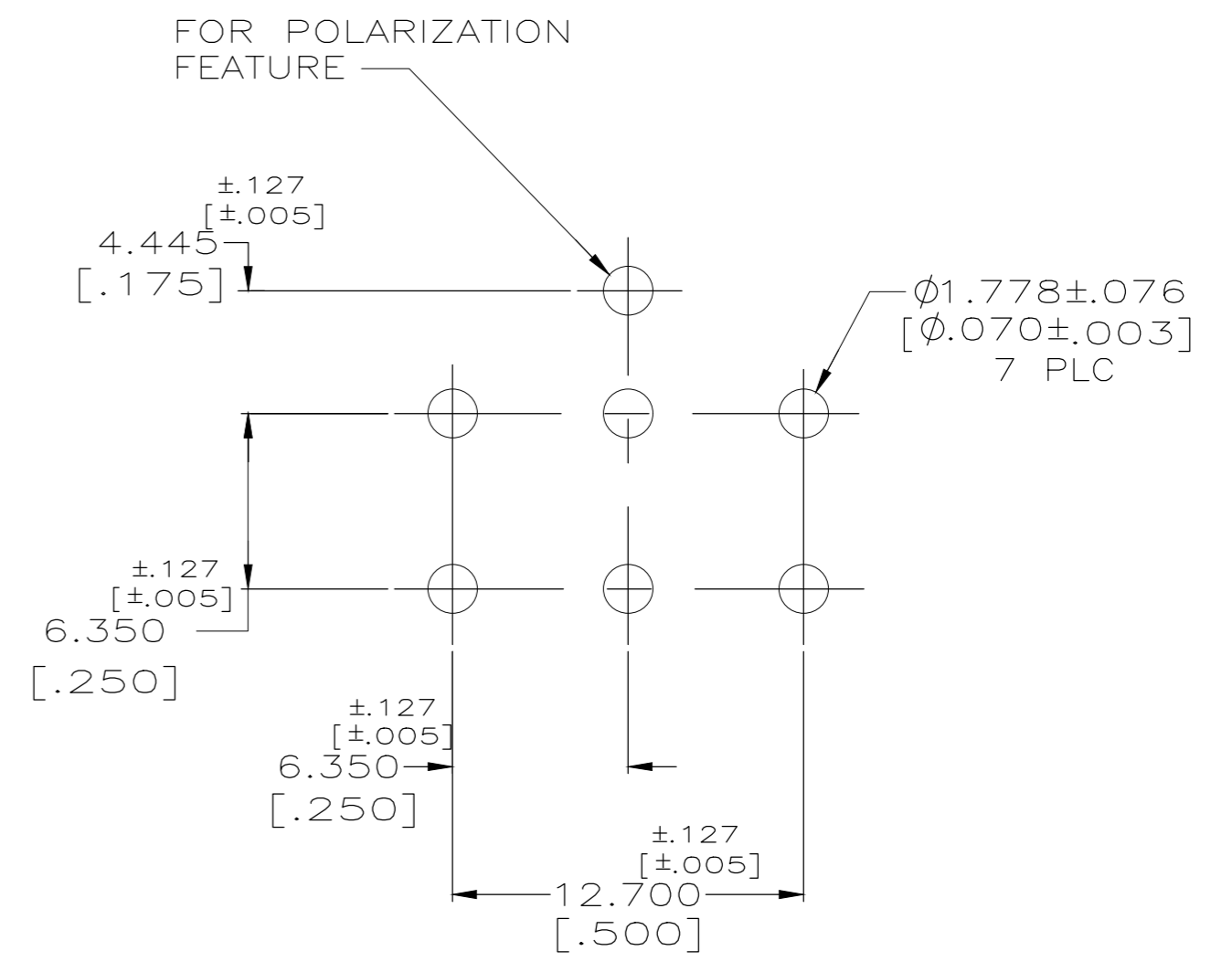
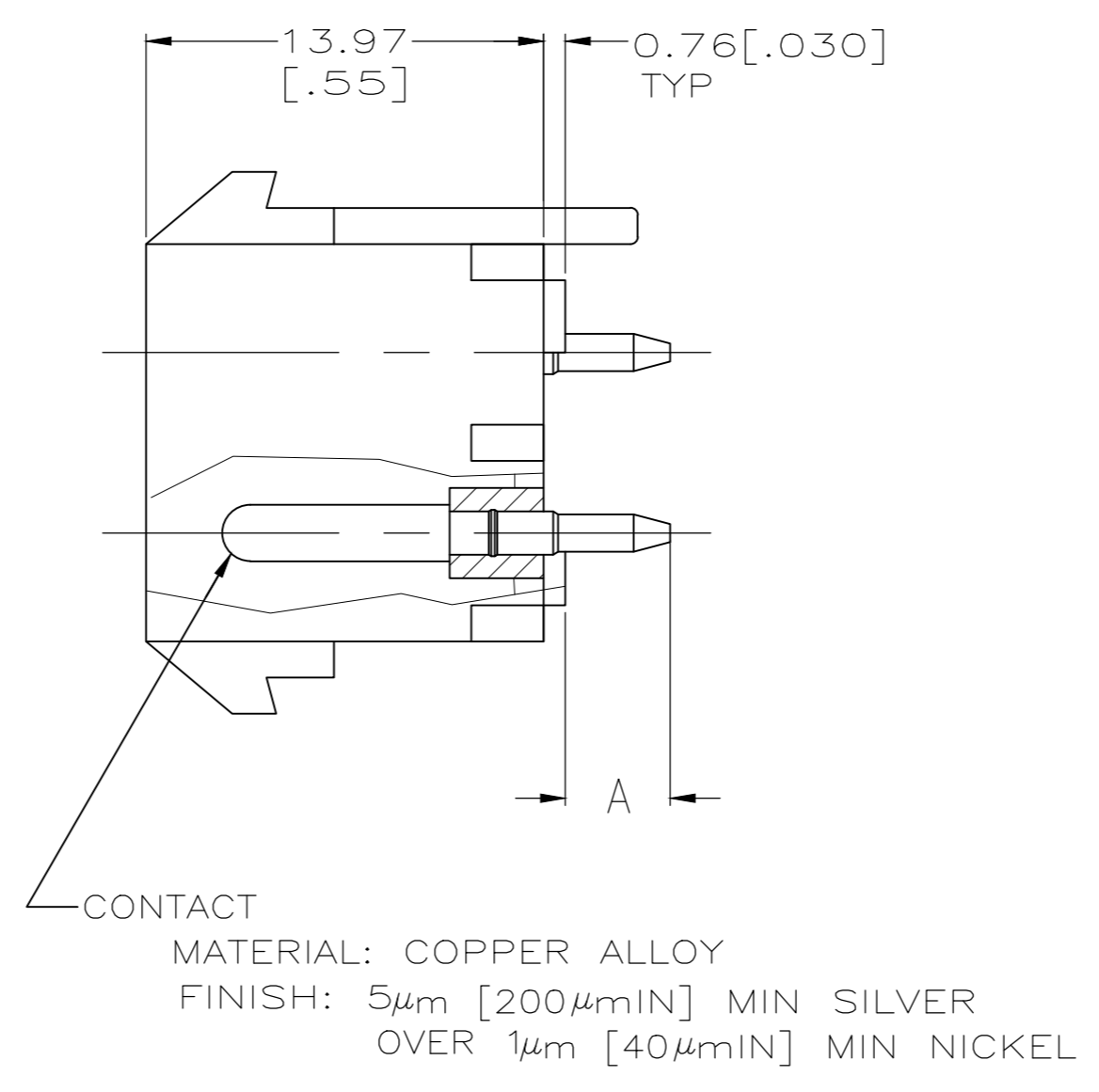
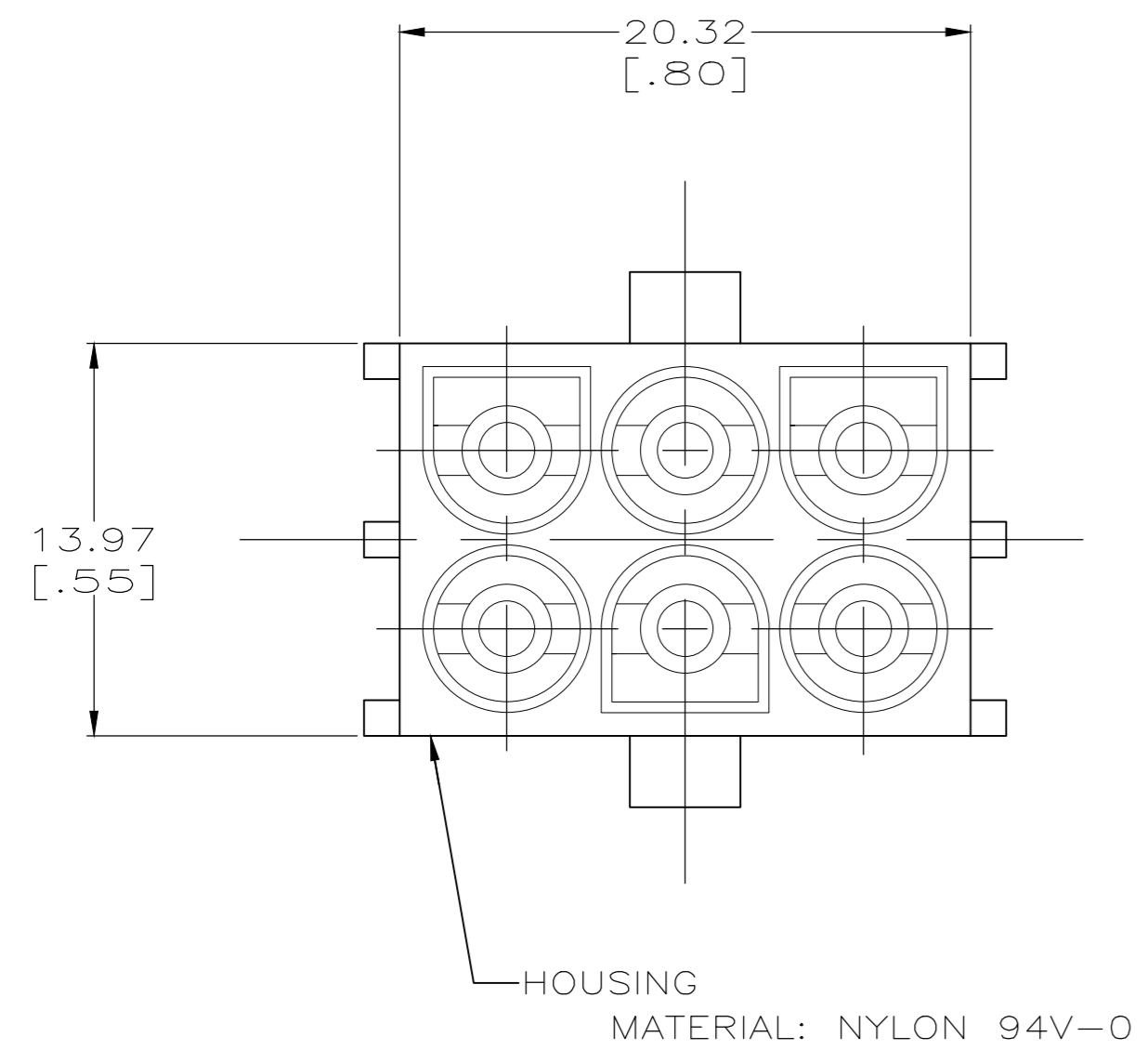


- MATES WITH MATE-N-LOK II PLUG CONNECTOR USING PART NUMBER 193797-1 OR 193842-1 SOCKET CONTACTS.
  - ALL DIMENSIONS ARE REFERENCE ONLY EXCEPT P.C. LAYOUT.
- ⚠ OBSOLETE PARTS: OBSOLETE CIS STREAMLINING PER D.RENAUD/D.SINISI



RECOMMENDED LAYOUT FOR P.C. BOARD

⚠ OBSOLETE	TUBE	1.57 [.062]	3.68 [.145]	194002-3
	BULK	3.17 [.125]	5.20 [.205]	194002-2
	BULK	1.57 [.062]	3.68 [.145]	194002-1
PACKAGING	PC BOARD THICKNESS	A		PART NUMBER

WIRE RANGE	Finish	DIMENSIONS: mm	Material	Part Number
INSUL RANGE	DIMENSIONS APPLY BEFORE PLATING		TE Connectivity	
SURF AREA	TOLERANCES UNLESS OTHERWISE SPECIFIED:		NAME	
	2 PLC ±-	CHK 16/MAY/94	HIGH CURRENT VERT. PIN HEADER	
	3 PLC ±-		ASSY; MATE-N-LOK II, 6 CIRCUIT	
	ANGLES ±-		SCALE	REV
	DWN 06/SEP/94	APVD 16/MAY/94	A2	H2
	C. M. SVOBODA		DRAWING NO	SHEET
			194002	1 OF 1

					APPL FEED	TRIMMING BURR
					WDW	IDW
H2	REVISION RECORD	DATE	DWN	APVD	REELING	SPLICE
P	LTR					

THIS INFORMATION IS CONFIDENTIAL AND PROPRIETARY TO TE CONNECTIVITY AND ITS WORLDWIDE SUBSIDIARIES AND AFFILIATES (TE). IT MAY NOT BE DISCLOSED TO ANYONE OTHER THAN TE PERSONNEL, WITHOUT AUTHORIZATION FROM TE (www.te.com)

## X-ON Electronics

Largest Supplier of Electrical and Electronic Components

*Click to view similar products for [Power to the Board](#) category:*

*Click to view products by [TE Connectivity](#) manufacturer:*

Other Similar products are found below :

[6450171-4](#) [6450552-7](#) [6600323-8](#) [6643429-1](#) [6646040-2](#) [6651939-1](#) [6766604-1](#) [120959-1](#) [1393557-2](#) [1393532-2](#) [1393532-3](#) [1393532-4](#)  
[1393557-1](#) [1600812-5](#) [1-6450861-2](#) [1744132-7](#) [1761122-1](#) [1766250-1](#) [1892109-1](#) [2-6450860-5](#) [2-6450870-0](#) [1-6450161-4](#) [1-6450850-6](#) [1-6450869-6](#) [1645526-2](#) [1-6600130-0](#) [2005243-2](#) [377-0020-11130](#) [TE34-12-16P-F0](#) [5-6450830-6](#) [5646956-4](#) [377-0080-11131A](#) [4-6450830-9](#)  
[4-6600333-3](#) [10125416-4050LF](#) [6600320-3](#) [3-6450860-5](#) [1888123-2](#) [6450166-1](#) [6643978-1](#) [6766605-1](#) [701-15-02109](#) [N11444](#) [6651938-1](#)  
[6450810-7](#) [46437-1112](#) [1-1589677-8](#) [5646956-5](#) [6450813-2](#) [6450129-4](#)