

THIS DRAWING IS UNPUBLISHED. RELEASED FOR PUBLICATION
 (C) COPYRIGHT 19 BY AMP INCORPORATED. ALL RIGHTS RESERVED.

LOC		DIST		REVISIONS			
P	LTR	DESCRIPTION	DATE	DWN	APVD		
	A	ECN 96060302	07/JUN/96	RNP	RAR		
	B	EC OB20-0183-98	04/FEB/98	RNP	RAR		

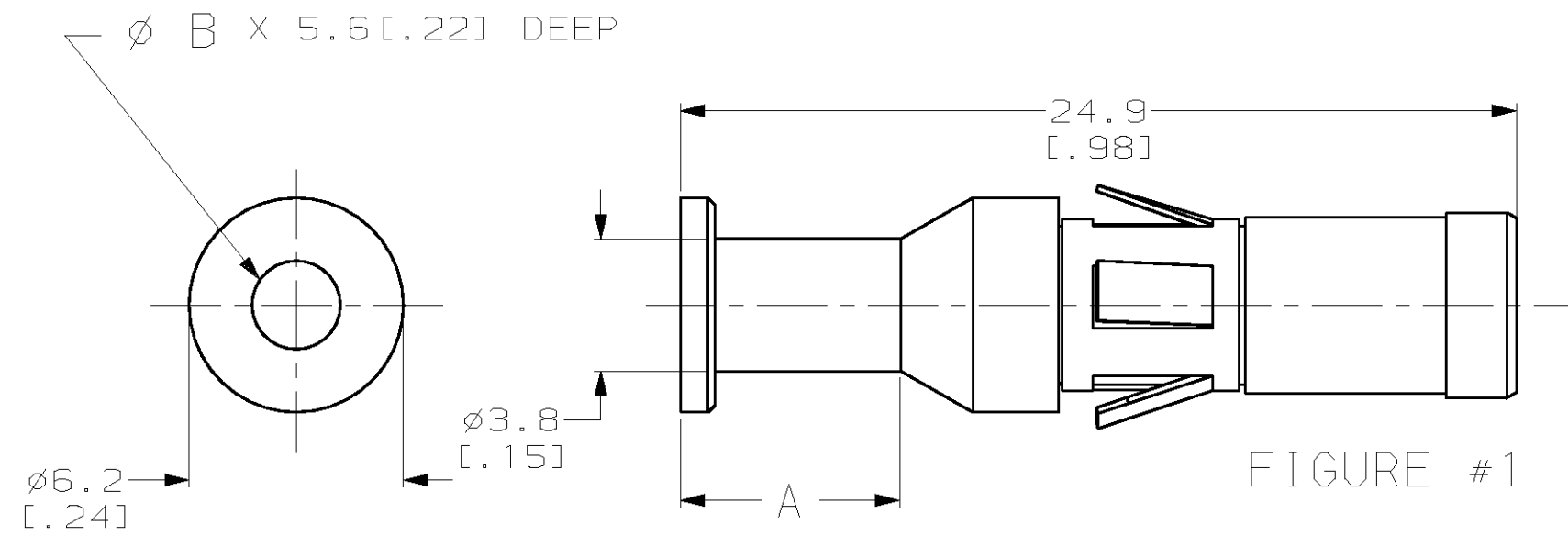


FIGURE #1

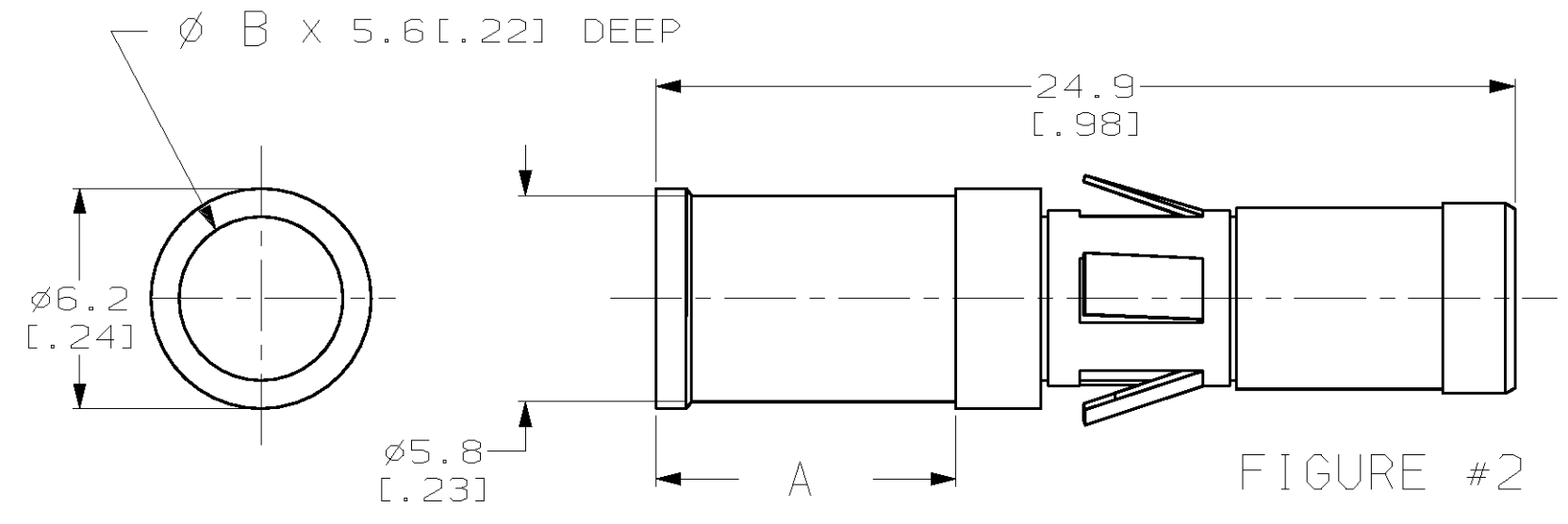


FIGURE #2

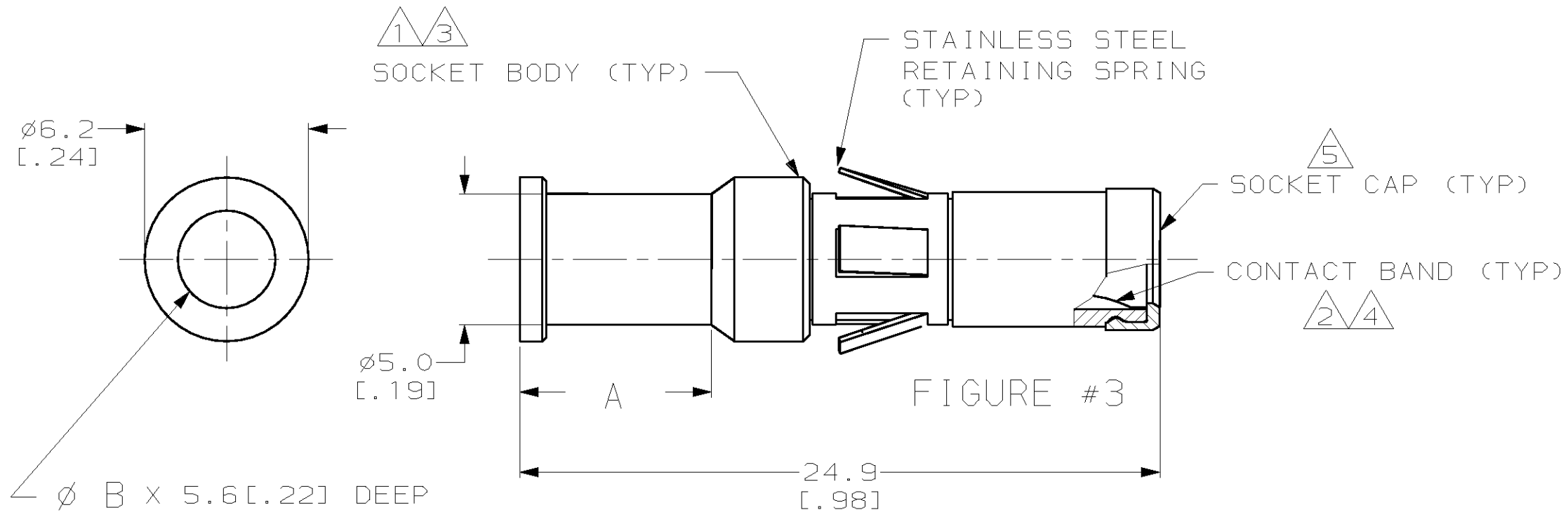


FIGURE #3

- 1 MATERIAL: TELLURIUM COPPER.
- 2 MATERIAL: BERYLLIUM COPPER.
- 3 FINISH: SILVER PLATE 5 μ M [200 μ IN] THICK MIN. OVER 1.2 μ M [50 μ IN] THICK MIN. NICKEL OVER 0.1 μ M [5 μ IN] THICK COPPER FLASH.
- 4 FINISH: SILVER PLATE 5 μ M [200 μ IN] THICK MIN. OVER 1 μ M [40 μ IN] THICK MIN. NICKEL.
- 5 MATERIAL: ACETYL (DELRIN).

2.55 [.100]	6.35 [.250]	1	SOCKET, 3MM, #12-14	194032-7
3.68 [.145]	7.24 [.285]	3	SOCKET, 3MM, #10	194032-6
4.60 [.181]	8.42 [.331]	2	SOCKET, 3MM, #8	194032-5

ϕB	A DIM	FIGURE #	DESCRIPTION	PART NUMBER
----------	-------	----------	-------------	-------------

<small>THIS DRAWING IS A CONTROLLED DOCUMENT FOR AMP INCORPORATED. IT IS SUBJECT TO CHANGE AND THE CONTROLLING ENGINEERING ORGANIZATION SHOULD BE CONTACTED FOR THE LATEST REVISION.</small>		DWN RNP	28/SEP/95	AMP Incorporated Harrisburg, PA 17105-3608
DIMENSIONS: mm [in] 		CHK -	APVD -	
TOLERANCES UNLESS OTHERWISE SPECIFIED: 0 PLC ±- 1 PLC ±- 2 PLC ±- 3 PLC ±- 4 PLC ±- ANGLES ±- FINISH -		PRODUCT SPEC -	APPLICATION SPEC -	SIZE A2
MATERIAL -		WEIGHT -	CAGE CODE 00779	DRAWING NO ©=194032
CUSTOMER DRAWING			SCALE	SHEET 1 OF 1 REV B

X-ON Electronics

Largest Supplier of Electrical and Electronic Components

Click to view similar products for [TE Connectivity](#) manufacturer:

Other Similar products are found below :

[D38999/24FJ4AN](#) [570416-000](#) [CLTEQ-M81CE-SSRELAY-4-20V](#) [4-1195131-0](#) [650069-000](#) [SMD100-2](#) [358838-000](#) [CB-1022B-78](#)
[RM707012](#) [RP410012](#) [MMS42](#) [1-640426-8](#) [2EDL4CM](#) [DTS20W19-11PD-3028-LC](#) [RM202615](#) [NC6-P104-06](#) [MSPS103B](#) [DTS26F21-41HE-LC](#) [DTS26F21-41AE](#) [DTS26F21-41PE-LC](#) [DTS26F21-11SE-3028-LC](#) [30DCB6](#) [1932144-1](#) [293545-4](#) [LVR125S](#) [MS27466T25F4PB](#)
[CKB-38-78010](#) [TR04AI-TINELLOCKRING](#) [1206SFF150F/63-2](#) [D38999/20JB35HA](#) [TE1500A2R2J](#) [D38999/20WC8BB](#) [DTS24F19-11SC-3028-LC](#) [D38999/24WG11HA](#) [D38999/24WG11HN](#) [MS27467T21F11H](#) [DJT16E21-11HA](#) [MS27467T21F35J](#) [MS27467T21F11J](#)
[MS27467T21F16H-LC](#) [MS27467T21F35H](#) [MS27467T21F41H-LC](#) [1206SFH150F/24-2](#) [RP330024](#) [DJT16E21-11PA-LC](#) [DJT16E21-11HA-LC](#) [DJT16E21-11AA](#) [MS27467T21B11JA](#) [DJT16E21-11JA](#) [MS27467T21B11JA-LC](#)