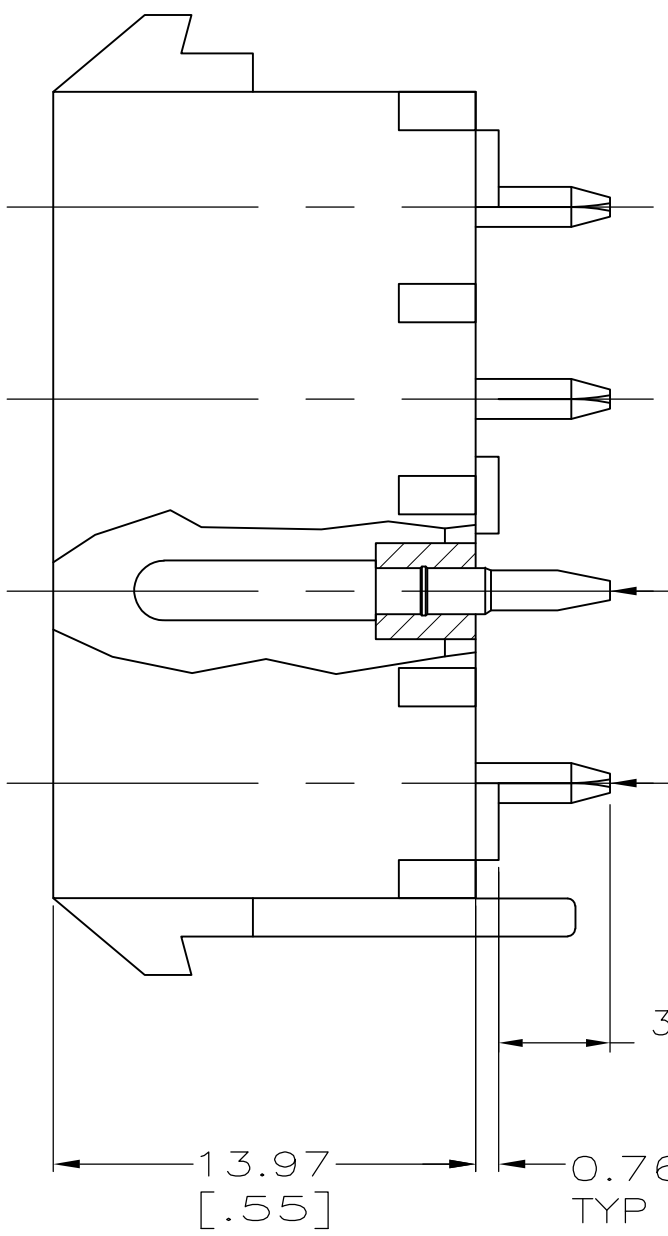
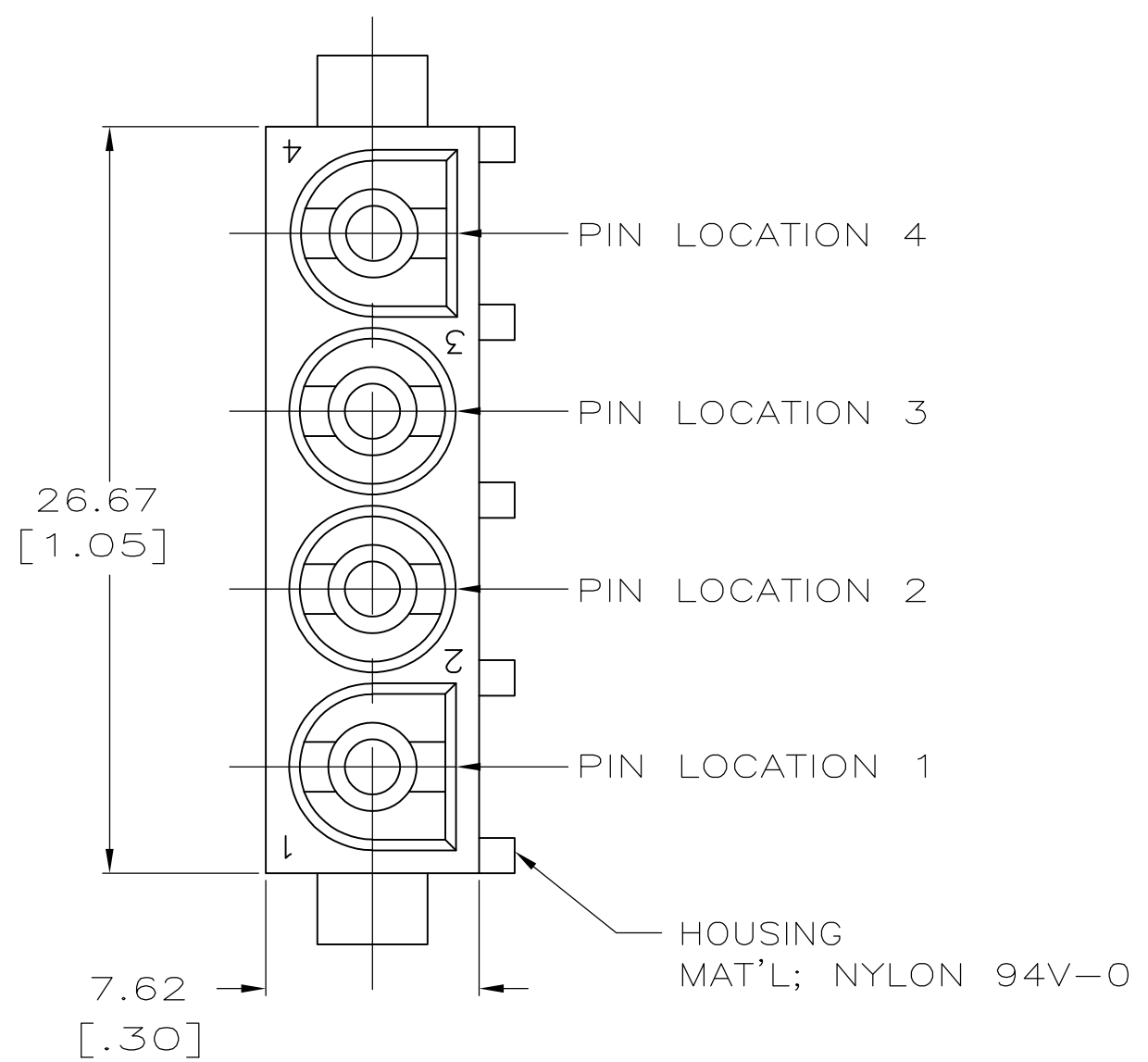
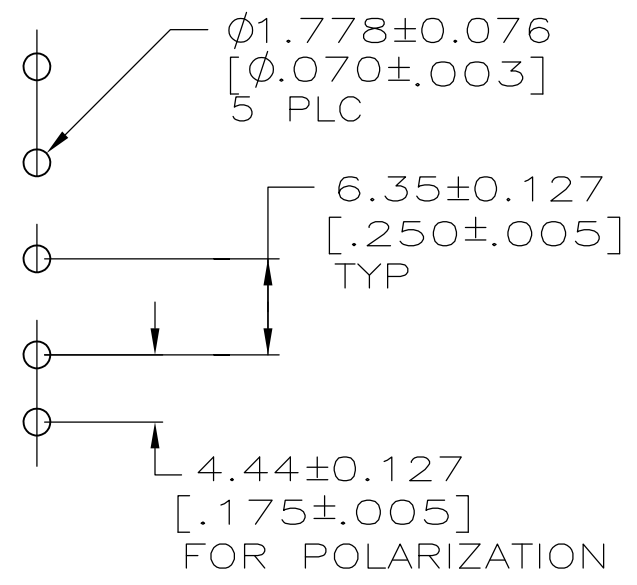


THIS DRAWING IS UNPUBLISHED. RELEASED FOR PUBLICATION
 © COPYRIGHT BY TYCO ELECTRONICS CORPORATION. ALL RIGHTS RESERVED.

LOC	DIST	REVISIONS					
FT	0	P	LTR	DESCRIPTION	DATE	DWN	APVD
		D1		REVISED PER ECO-06-21510	9/11/06	SS	GS
		D2		REVISED PER ECO-09-024717	05NOV09	KK	AEG



- MATES WITH MATE-N-LOK II PLUG CONNECTOR USING P/N 193797-1 OR 193842-1 SOCKET CONTACT(S) FOR THE HIGH CURRENT PIN(S).
 - ALL DIMENSIONS ARE REFERENCE ONLY EXCEPT P.C. LAYOUT.
- 3 BLUE HOUSING.
 4 OBSOLETE PARTS: OBSOLETE CIS STREAMLINING PER D.RENAUD/D.SINISI



RECOMMENDED LAYOUT FOR
 1.57 [.062] THK P.C. BOARD

194096-2 SHOWN

OBSOLETE	4	S	S	S	PIN LOCATION 4
	3	S	S	S	PIN LOCATION 3
		H	H	H	PIN LOCATION 2
		H	S	S	PIN LOCATION 1
		-5	-3	-2	

THIS DRAWING IS A CONTROLLED DOCUMENT.		DWN	R N POLK	29/JUN/95	Tyco Electronics Corporation Harrisburg, PA 17105-3608	
DIMENSIONS: mm [INCHES]		CHK	-	-	NAME PARTIAL HIGH CURRENT VERT. PIN HEADER ASSY SELECTIVE LOAD, MATE-N-LOK II, 4 CIRCUIT	
TOLERANCES UNLESS OTHERWISE SPECIFIED:		APVD	-	-	PRODUCT SPEC	
0 PLC ± -		PRODUCT SPEC	-	-	APPLICATION SPEC	
1 PLC ± -		APVD	-	-	SIZE	
2 PLC ± -		PRODUCT SPEC	-	-	CAGE CODE	
3 PLC ± -		APVD	-	-	DRAWING NO	
4 PLC ± -		PRODUCT SPEC	-	-	RESTRICTED TO	
ANGLES ± -		APVD	-	-	A3 00779 C-194096	
FINISH		PRODUCT SPEC	-	-	SCALE	
MATERIAL		APVD	-	-	NONE	
-		PRODUCT SPEC	-	-	SHEET	
		APVD	-	-	1 OF 1	
		PRODUCT SPEC	-	-	REV	
		APVD	-	-	D2	
		PRODUCT SPEC	-	-	CUSTOMER DRAWING	

X-ON Electronics

Largest Supplier of Electrical and Electronic Components

Click to view similar products for [Heavy Duty Power Connectors](#) category:

Click to view products by [TE Connectivity](#) manufacturer:

Other Similar products are found below :

[647757-1](#) [6643411-1](#) [6646058-2](#) [6646137-1](#) [6646138-1](#) [6646479-1](#) [6646608-1](#) [6646786-1](#) [6646940-1](#) [6651091-1](#) [6651525-1](#) [6651529-1](#)
[6651788-1](#) [696475-1](#) [702-32-01109](#) [703-25-02205](#) [73000005059](#) [73000005642](#) [73080255059](#) [73080965046](#) [765-15-0080A](#) [765-16-0080B](#)
[765-18-0080D](#) [829992-1](#) [902-77-02113](#) [PS00/A0620/6300](#) [PS25/A0420/63](#) [129-1J](#) [1409400](#) [AN0024023](#) [E6374G1](#) [e6389g2](#) [157-43GW8](#)
[MS3117-14AC](#) [1643543-1](#) [1650540-1](#) [1651811-2](#) [1766260-1](#) [1766282-1](#) [1766966-1](#) [1791340000](#) [NLDFT-3-BL-L-S120-M40A](#) [NLDFT-N-](#)
[W-L-C240-M40B](#) [NLS-2-R-C240-M40B](#) [NLS-N-W-C240-M40B](#) [NPS-3-BL-T6](#) [1986615-1](#) [2-1589900-8](#) [2199314-1](#) [KA8102](#)