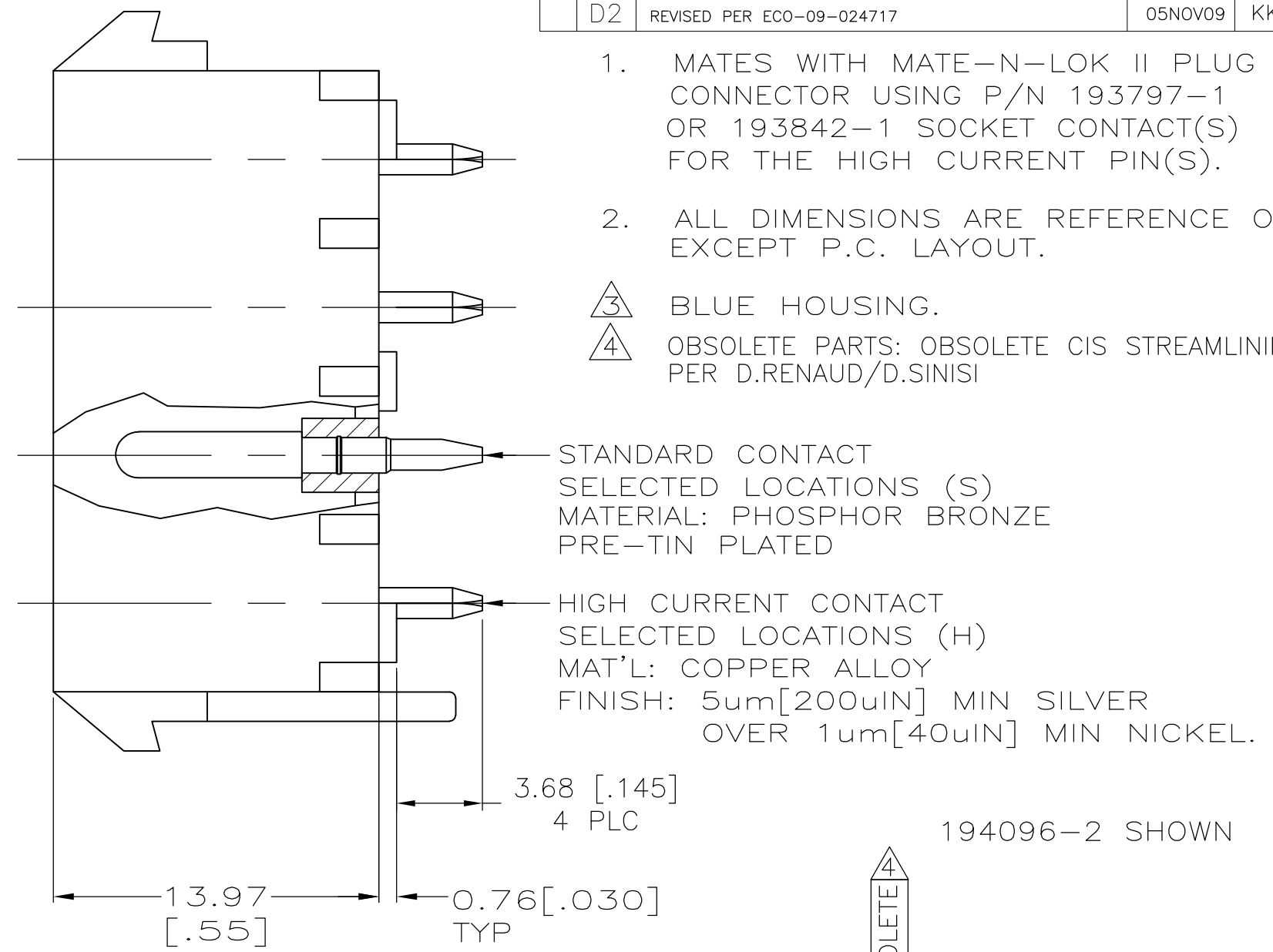
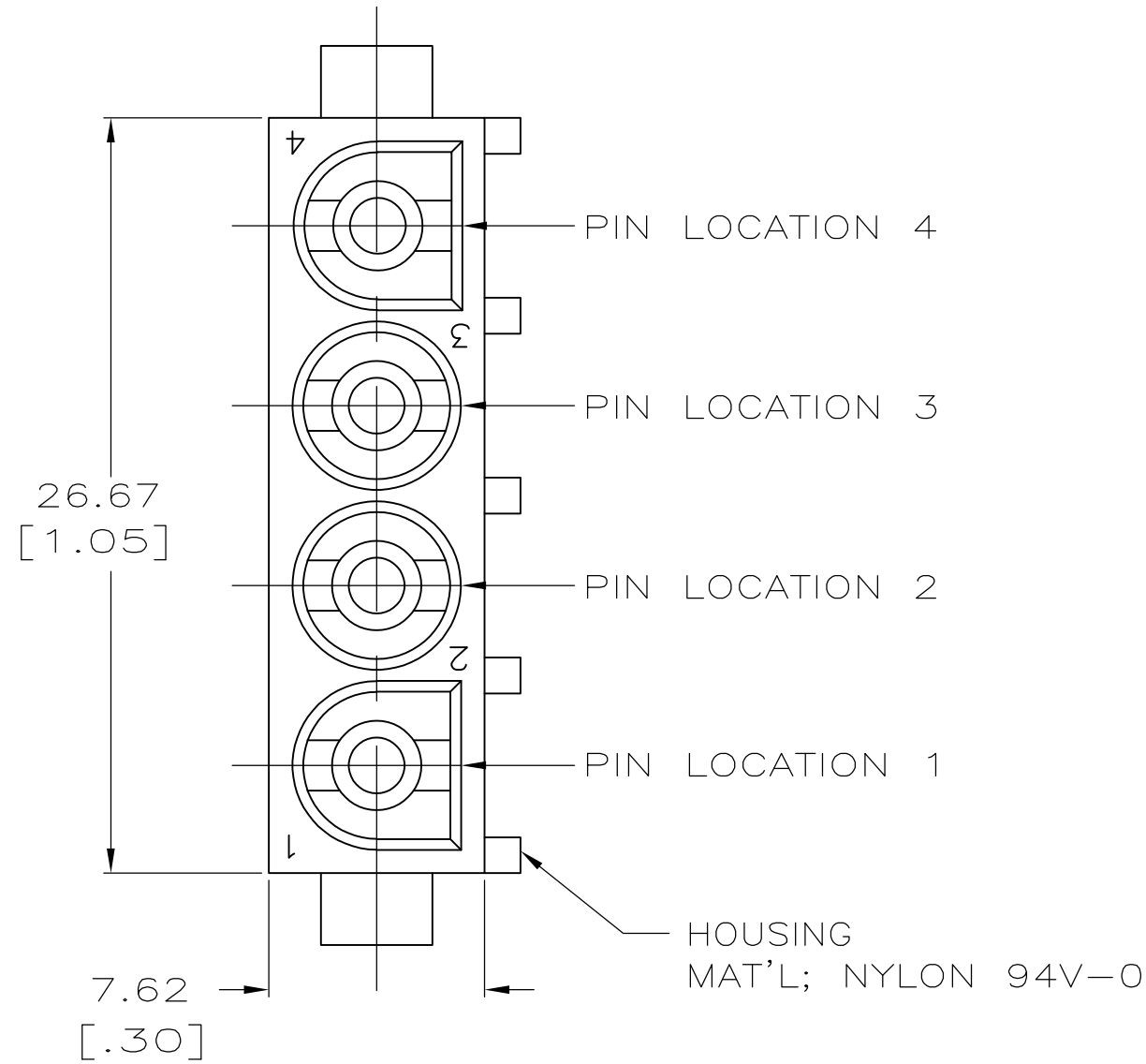


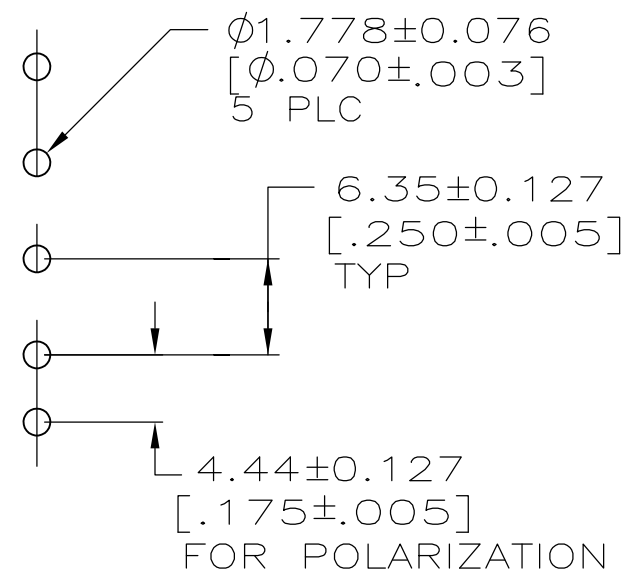
THIS DRAWING IS UNPUBLISHED. RELEASED FOR PUBLICATION  
 © COPYRIGHT BY TYCO ELECTRONICS CORPORATION. ALL RIGHTS RESERVED.

LOC FT DIST 0

REVISIONS					
P	LTR	DESCRIPTION	DATE	DWN	APVD
D1		REVISED PER ECO-06-21510	9/11/06	SS	GS
D2		REVISED PER ECO-09-024717	05NOV09	KK	AEG



- MATES WITH MATE-N-LOK II PLUG CONNECTOR USING P/N 193797-1 OR 193842-1 SOCKET CONTACT(S) FOR THE HIGH CURRENT PIN(S).
  - ALL DIMENSIONS ARE REFERENCE ONLY EXCEPT P.C. LAYOUT.
- 3 BLUE HOUSING.  
 4 OBSOLETE PARTS: OBSOLETE CIS STREAMLINING PER D.RENAUD/D.SINISI



RECOMMENDED LAYOUT FOR 1.57 [.062] THK P.C. BOARD

194096-2 SHOWN

OBSOLETE	4	S	S	S	PIN LOCATION 4
	3	S	S	S	PIN LOCATION 3
		H	H	H	PIN LOCATION 2
		H	S	S	PIN LOCATION 1
		-5	-3	-2	

THIS DRAWING IS A CONTROLLED DOCUMENT.		DWN R N POLK 29/JUN/95	Tyco Electronics Corporation Harrisburg, PA 17105-3608		
DIMENSIONS: mm [INCHES]	TOLERANCES UNLESS OTHERWISE SPECIFIED:	CHK -	NAME PARTIAL HIGH CURRENT VERT. PIN HEADER ASSY SELECTIVE LOAD, MATE-N-LOK II, 4 CIRCUIT		
	0 PLC ± -	APVD -	PRODUCT SPEC -		
	1 PLC ± -	PRODUCT SPEC -	APPLICATION SPEC -		
	2 PLC ± -	SIZE A3	CAGE CODE 00779	DRAWING NO C-194096	RESTRICTED TO -
	3 PLC ± -	CUSTOMER DRAWING			
	4 PLC ± -	SCALE NONE	SHEET 1 OF 1	REV D2	
	ANGLES ± -				
MATERIAL -	FINISH -				

## X-ON Electronics

Largest Supplier of Electrical and Electronic Components

*Click to view similar products for [Heavy Duty Power Connectors](#) category:*

*Click to view products by [TE Connectivity](#) manufacturer:*

Other Similar products are found below :

[1424439](#) [1424438](#) [09330062652](#) [2-8675P1](#) [605601-1](#) [6340G1](#) [6341G1](#) [6360G1](#) [6373G1](#) [6374g2](#) [6396G1](#) [647757-1](#) [66394-4](#) [6643411-1](#)  
[6646058-2](#) [6646137-1](#) [6646138-1](#) [6646348-1](#) [6646479-1](#) [6646608-1](#) [6646786-1](#) [6646940-1](#) [6651091-1](#) [6651525-1](#) [6651529-1](#) [6651778-1](#)  
[6651788-1](#) [696465-1](#) [696475-1](#) [73000005059](#) [73000005349](#) [73000005642](#) [73080255059](#) [73080965046](#) [765-15-0080A](#) [765-16-0080B](#)  
[789.700-44](#) [789.700-54](#) [80-1010](#) [80-9](#) [827381-1](#) [829992-1](#) [902-77-02113](#) [PL00U-301-10D10](#) [PM103MOOLOO](#) [PM16S1620S32-50](#)  
[PM212MOOLOO](#) [PM309FOOLOO](#) [PM324FOOLCH](#) [PMHPAF11S03](#)