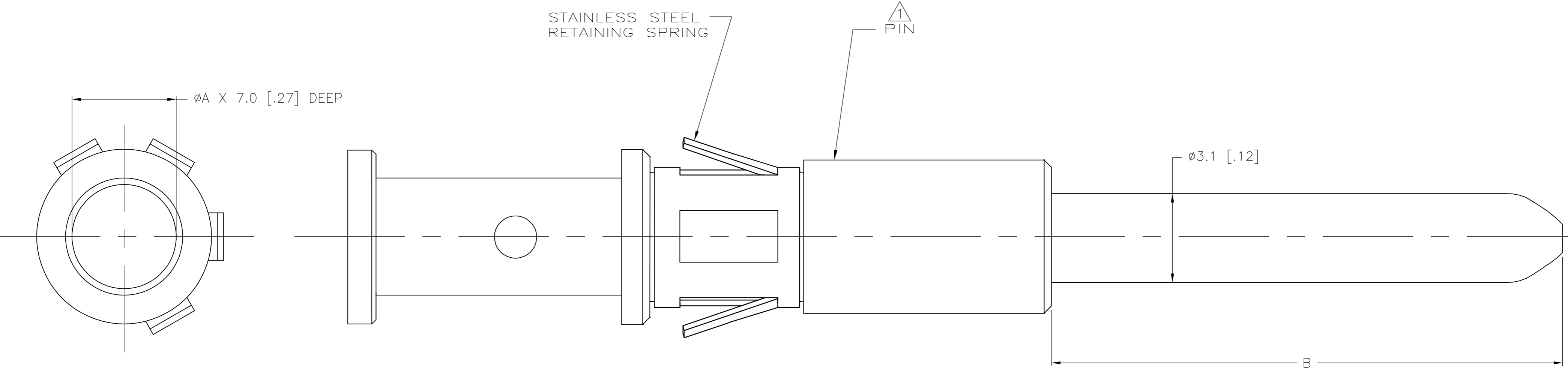


THIS DRAWING IS UNPUBLISHED. RELEASED FOR PUBLICATION
 © COPYRIGHT BY TYCO ELECTRONICS CORPORATION. ALL RIGHTS RESERVED.

LOC	DIST	REVISIONS					
FT	0	P	LTR	DESCRIPTION	DATE	DWN	APVD
		G1		REVISED PER ECO-06-29166	12/13/06	SS	GS



HOT MATE

NOTE 2	FIRST	13.75 [.541]	Ø3.68 [.145]	#10	1-194189-2
NOTE 2	FIRST	13.75 [.541]	Ø4.60 [.181]	#8	1-194189-1
NOTE 3	SECOND	11.75 [.461]	Ø2.67 [.105]	#12-#14	1-194189-0
NOTE 2	THIRD	9.75 [.384]	Ø2.67 [.105]	#12-#14	194189-9
NOTE 2	THIRD	9.75 [.384]	Ø3.68 [.145]	#10	194189-8
NOTE 2	THIRD	9.75 [.384]	Ø4.60 [.181]	#8	194189-7
NOTE 2	SECOND	11.75 [.461]	Ø2.67 [.105]	#12-#14	194189-6
NOTE 2	FIRST	13.75 [.541]	Ø2.67 [.105]	#12-#14	194189-3
FINISH	MATING SEQUENCE	B	A	WIRE AWG	PART NO.

- 1 MATERIAL: TELLURIUM COPPER.
- 2. FINISH: SILVER PLATE OVER NICKEL PLATE.
- 3. FINISH: GOLD PLATE OVER NICKEL PLATE.

THIS DRAWING IS A CONTROLLED DOCUMENT. 28/SEP/95

DWN	D.A.P.	 Tyco Electronics Corporation Harrisburg, PA 17105-3608	NAME	PIN ASSEMBLY, 3 MM	
CHK	-		PRODUCT SPEC	-	-
APVD	-		APPLICATION SPEC	-	-
WEIGHT	-		SIZE	A2	CAGE CODE
MATERIAL	-	DRAWING NO	C=194189		RESTRICTED TO
FINISH	-	SCALE	-	SHEET	1 of 1
CUSTOMER DRAWING			REV	G1	

X-ON Electronics

Largest Supplier of Electrical and Electronic Components

Click to view similar products for [Power to the Board](#) category:

Click to view products by [TE Connectivity](#) manufacturer:

Other Similar products are found below :

[6450171-4](#) [6450552-7](#) [6600323-8](#) [6643429-1](#) [6646040-2](#) [6651939-1](#) [6766604-1](#) [120959-1](#) [1393557-2](#) [1393532-2](#) [1393532-3](#) [1393532-4](#)
[1393557-1](#) [1600812-5](#) [1-6450861-2](#) [1744132-7](#) [1761122-1](#) [1766250-1](#) [1892109-1](#) [2-6450860-5](#) [2-6450870-0](#) [1-6450161-4](#) [1-6450850-6](#) [1-6450869-6](#) [1645526-2](#) [1-6600130-0](#) [2005243-2](#) [377-0020-11130](#) [TE34-12-16P-F0](#) [5-6450830-6](#) [5646956-4](#) [377-0080-11131A](#) [4-6450830-9](#)
[4-6600333-3](#) [10125416-4050LF](#) [6600320-3](#) [3-6450860-5](#) [1888123-2](#) [6450166-1](#) [6643978-1](#) [6766605-1](#) [701-15-02109](#) [N11444](#) [6651938-1](#)
[6450810-7](#) [46437-1112](#) [1-1589677-8](#) [5646956-5](#) [6450813-2](#) [6450129-4](#)