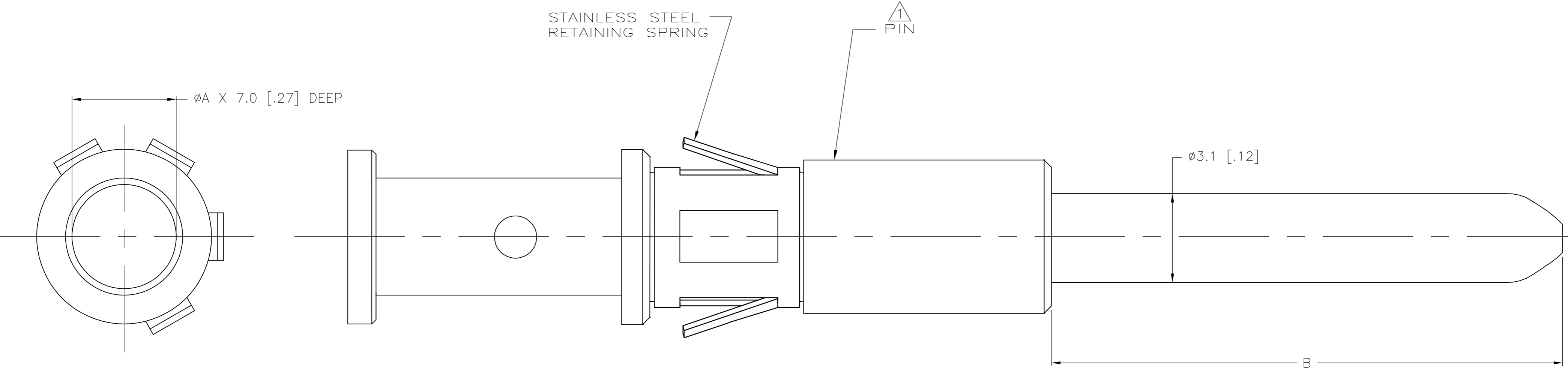


THIS DRAWING IS UNPUBLISHED. RELEASED FOR PUBLICATION
 © COPYRIGHT BY TYCO ELECTRONICS CORPORATION. ALL RIGHTS RESERVED.

LOC	DIST	REVISIONS			
P	LTR	DESCRIPTION	DATE	DWN	APVD
FT	0	G1	REVISED PER ECO-06-29166	12/13/06	SS GS



HOT MATE

NOTE	FINISH	MATING SEQUENCE	B	A	WIRE AWG	PART NO.
NOTE 2	FIRST		13.75 [.541]	Ø3.68 [.145]	#10	1-194189-2
NOTE 2	FIRST		13.75 [.541]	Ø4.60 [.181]	#8	1-194189-1
NOTE 3	SECOND		11.75 [.461]	Ø2.67 [.105]	#12-#14	1-194189-0
NOTE 2	THIRD		9.75 [.384]	Ø2.67 [.105]	#12-#14	194189-9
NOTE 2	THIRD		9.75 [.384]	Ø3.68 [.145]	#10	194189-8
NOTE 2	THIRD		9.75 [.384]	Ø4.60 [.181]	#8	194189-7
NOTE 2	SECOND		11.75 [.461]	Ø2.67 [.105]	#12-#14	194189-6
NOTE 2	FIRST		13.75 [.541]	Ø2.67 [.105]	#12-#14	194189-3

- 1 MATERIAL: TELLURIUM COPPER.
- 2. FINISH: SILVER PLATE OVER NICKEL PLATE.
- 3. FINISH: GOLD PLATE OVER NICKEL PLATE.

THIS DRAWING IS A CONTROLLED DOCUMENT. DWN 28/SEP/95
 D.A.P.
 CHK -
 APVD -
 PRODUCT SPEC -
 APPLICATION SPEC -
 WEIGHT -

tyco Electronics
 Tyco Electronics Corporation
 Harrisburg, PA 17105-3608

NAME: PIN ASSEMBLY, 3 MM

SIZE: A2 CAGE CODE: 00779 DRAWING NO: C=194189 RESTRICTED TO: -

CUSTOMER DRAWING SCALE: - SHEET: 1 of 1 REV: G1

X-ON Electronics

Largest Supplier of Electrical and Electronic Components

Click to view similar products for [Heavy Duty Power Connectors](#) category:

Click to view products by [TE Connectivity](#) manufacturer:

Other Similar products are found below :

[1424439](#) [1424438](#) [09330062652](#) [605601-1](#) [6340G1](#) [6341G1](#) [6360G1](#) [6373G1](#) [6374g2](#) [6396G1](#) [647757-1](#) [6643411-1](#) [6646058-2](#) [6646137-1](#)
[6646138-1](#) [6646348-1](#) [6646479-1](#) [6646608-1](#) [6646786-1](#) [6646940-1](#) [6651525-1](#) [6651529-1](#) [6651778-1](#) [6651788-1](#) [696465-1](#) [696475-1](#)
[73000005059](#) [73000005349](#) [73000005642](#) [73080965046](#) [765-15-0080A](#) [765-16-0080B](#) [789.700-44](#) [789.700-54](#) [80-1010](#) [80-9](#) [827381-1](#)
[829992-1](#) [902-77-02113](#) [PL00U-301-10D10](#) [PM103MOOLOO](#) [PM212MOOLOO](#) [PM309FOOLOO](#) [PM324FOOLCH](#) [PMHPAF11S03](#)
[PMHPAF14S01](#) [PMHPAM14P05](#) [PMHPAS06](#) [PMHPBF14S01](#) [PP45PC12S](#)