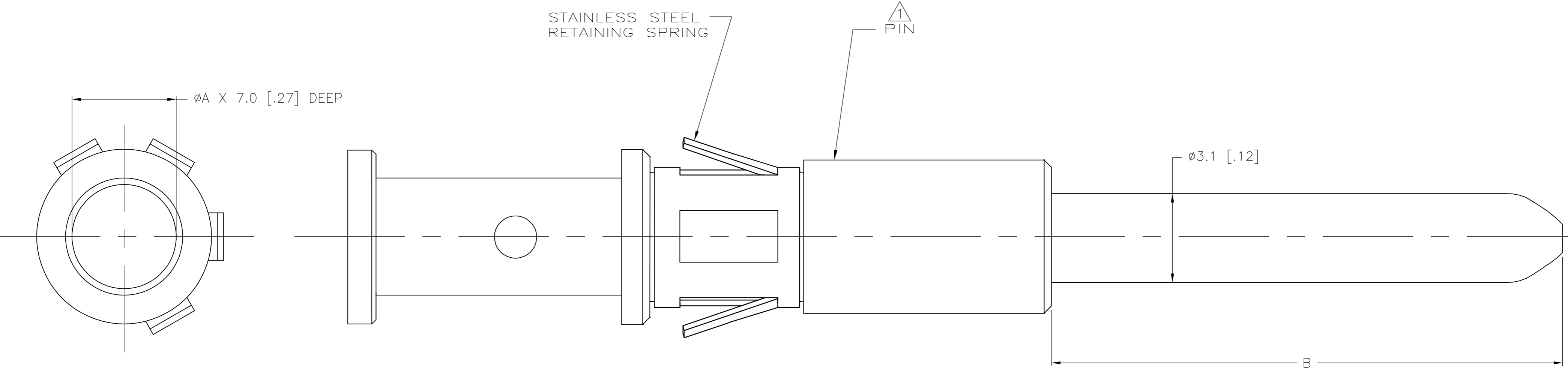


THIS DRAWING IS UNPUBLISHED. RELEASED FOR PUBLICATION  
 © COPYRIGHT BY TYCO ELECTRONICS CORPORATION. ALL RIGHTS RESERVED.

LOC	DIST	REVISIONS			
P	LTR	DESCRIPTION	DATE	DWN	APVD
FT	0	G1	REVISED PER ECO-06-29166	12/13/06	SS GS



HOT MATE

NOTE 2	FIRST	13.75 [.541]	Ø3.68 [.145]	#10	1-194189-2
NOTE 2	FIRST	13.75 [.541]	Ø4.60 [.181]	#8	1-194189-1
NOTE 3	SECOND	11.75 [.461]	Ø2.67 [.105]	#12-#14	1-194189-0
NOTE 2	THIRD	9.75 [.384]	Ø2.67 [.105]	#12-#14	194189-9
NOTE 2	THIRD	9.75 [.384]	Ø3.68 [.145]	#10	194189-8
NOTE 2	THIRD	9.75 [.384]	Ø4.60 [.181]	#8	194189-7
NOTE 2	SECOND	11.75 [.461]	Ø2.67 [.105]	#12-#14	194189-6
NOTE 2	FIRST	13.75 [.541]	Ø2.67 [.105]	#12-#14	194189-3
FINISH	MATING SEQUENCE	B	A	WIRE AWG	PART NO.

- 1 MATERIAL: TELLURIUM COPPER.
- 2. FINISH: SILVER PLATE OVER NICKEL PLATE.
- 3. FINISH: GOLD PLATE OVER NICKEL PLATE.

THIS DRAWING IS A CONTROLLED DOCUMENT. 28/SEP/95

DWN	D.A.P.	Tyco Electronics Corporation	
CHK	-	Harrisburg, PA 17105-3608	
APVD	-	NAME	
PRODUCT SPEC	-	PIN ASSEMBLY, 3 MM	
APPLICATION SPEC	-	SIZE	RESTRICTED TO
WEIGHT	-	A2	-
CUSTOMER DRAWING	-	CAGE CODE	DRAWING NO
		00779	C=194189
		SCALE	SHEET
		-	1 of 1
		REV	G1

## X-ON Electronics

Largest Supplier of Electrical and Electronic Components

*Click to view similar products for [Heavy Duty Power Connectors](#) category:*

*Click to view products by [TE Connectivity](#) manufacturer:*

Other Similar products are found below :

[647757-1](#) [6643411-1](#) [6646058-2](#) [6646137-1](#) [6646138-1](#) [6646479-1](#) [6646608-1](#) [6646786-1](#) [6646940-1](#) [6651091-1](#) [6651525-1](#) [6651529-1](#)  
[6651788-1](#) [696475-1](#) [702-32-01109](#) [703-25-02205](#) [73000005059](#) [73000005642](#) [73080255059](#) [73080965046](#) [765-15-0080A](#) [765-16-0080B](#)  
[765-18-0080D](#) [829992-1](#) [902-77-02113](#) [PS00/A0620/6300](#) [PS25/A0420/63](#) [129-1J](#) [1409400](#) [AN0024023](#) [E6374G1](#) [e6389g2](#) [157-43GW8](#)  
[MS3117-14AC](#) [1643543-1](#) [1650540-1](#) [1651811-2](#) [1766260-1](#) [1766282-1](#) [1766966-1](#) [1791340000](#) [NLDFT-3-BL-L-S120-M40A](#) [NLDFT-N-](#)  
[W-L-C240-M40B](#) [NLS-2-R-C240-M40B](#) [NLS-N-W-C240-M40B](#) [NPS-3-BL-T6](#) [1986615-1](#) [2-1589900-8](#) [2199314-1](#) [KA8102](#)