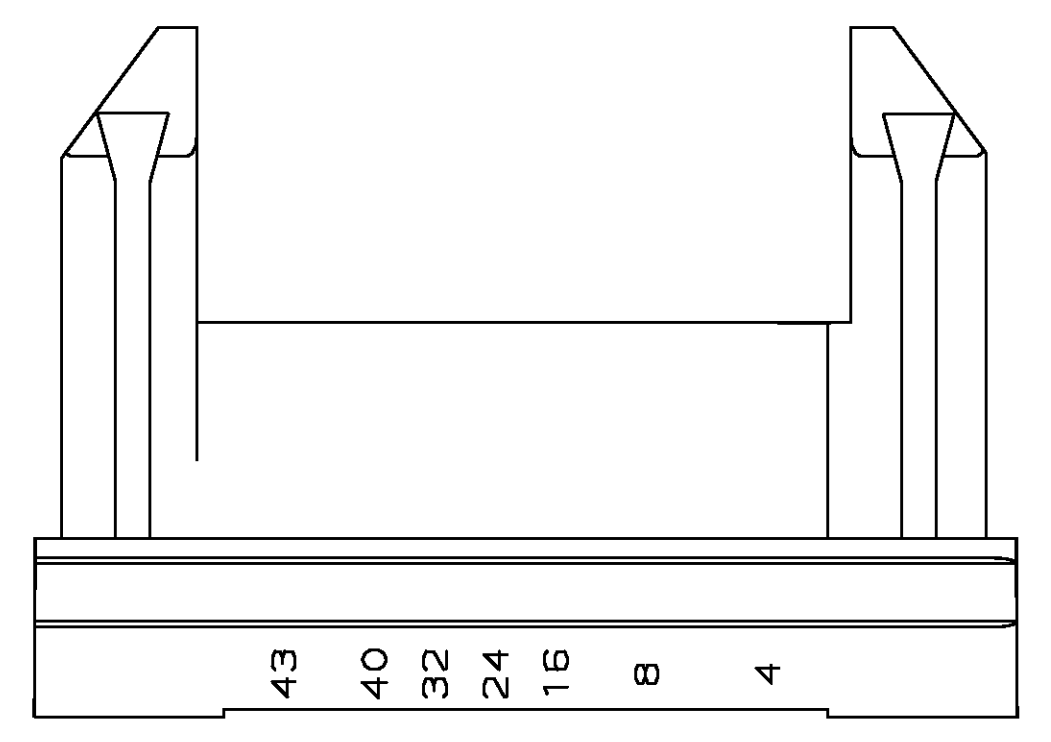
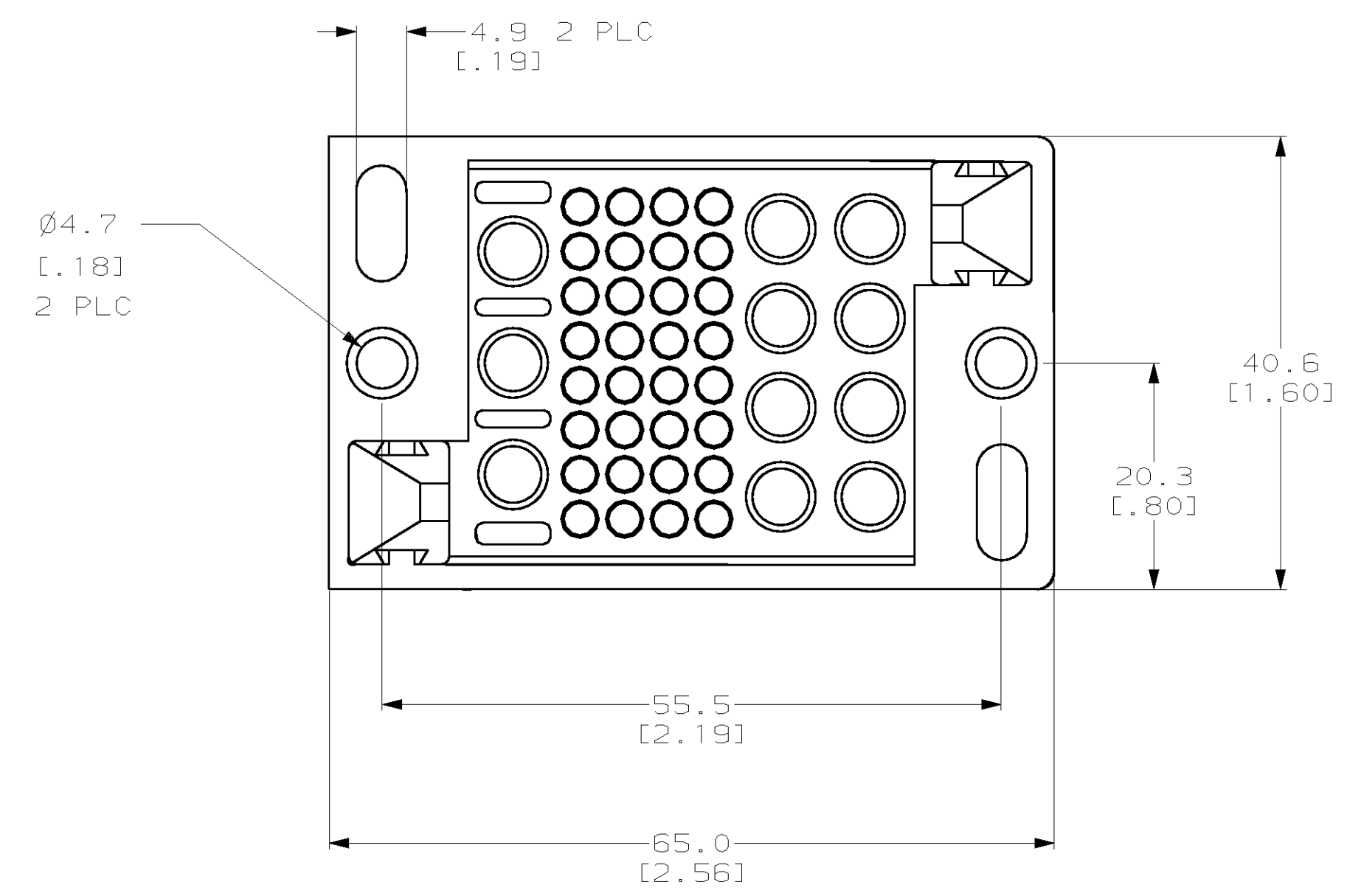
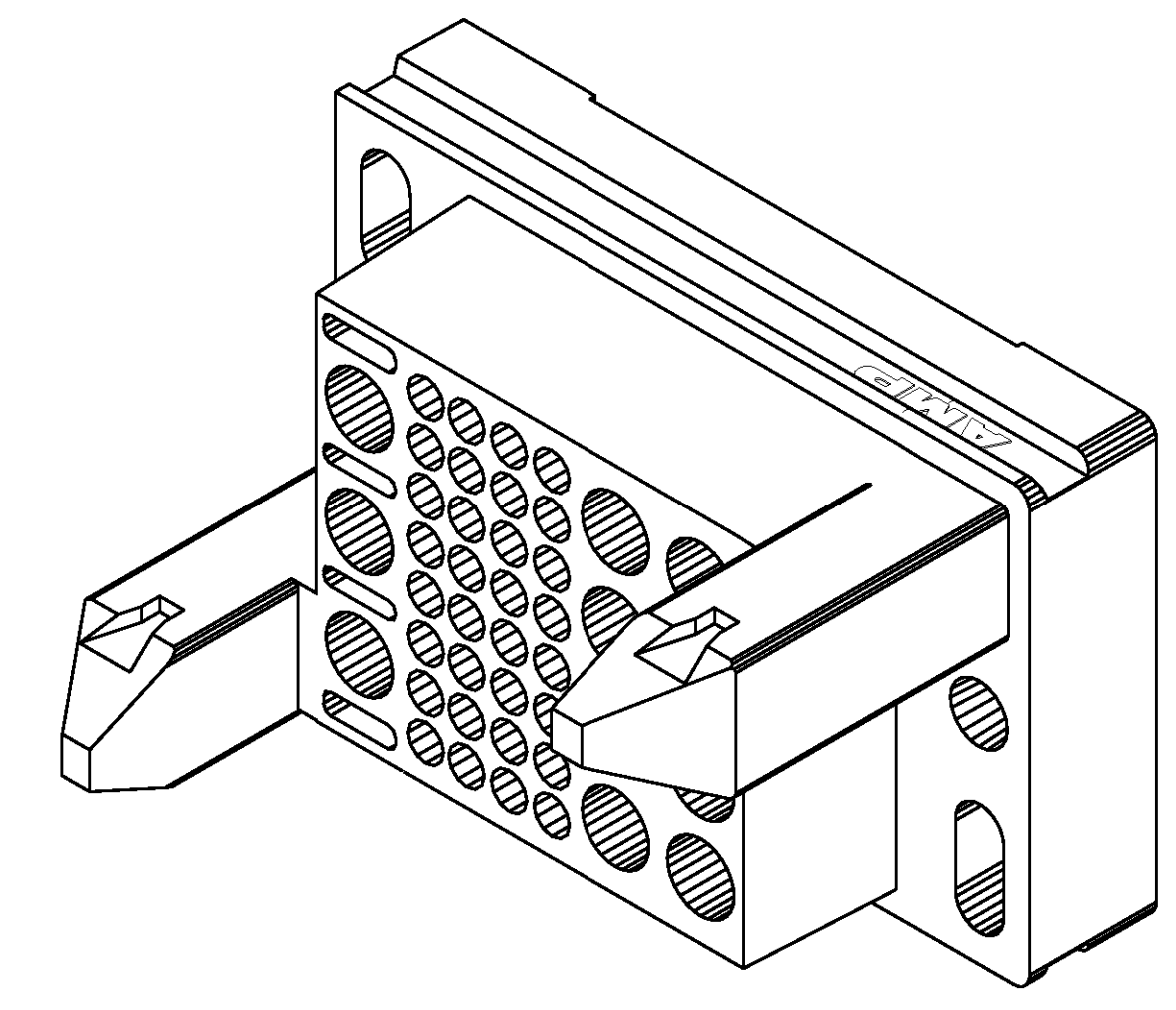
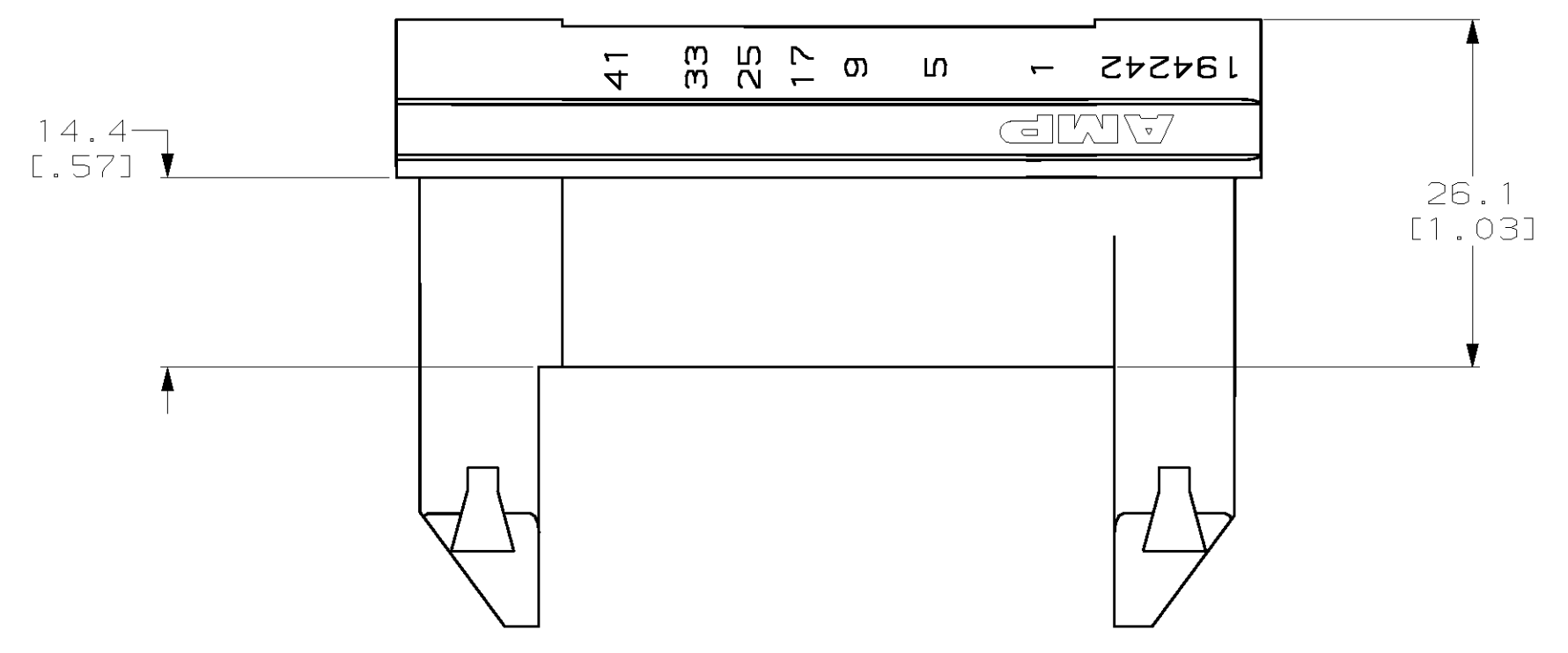


| REVOLUTIONS | | DATE | DWN | APVD |
|-------------|----|--------------|-----------|---------|
| CH | 11 | | | |
| A | EC | 0B20-0551-97 | 25/APR/97 | RNP RAR |
| B | EC | 0B20-0126-98 | 22/JAN/98 | DAP RAR |
| C | EC | 0B20-1216-98 | 09/SEP/98 | RNP RAR |
| | | | | |
| | | | | |
| | | | | |
| | | | | |
| | | | | |
| | | | | |

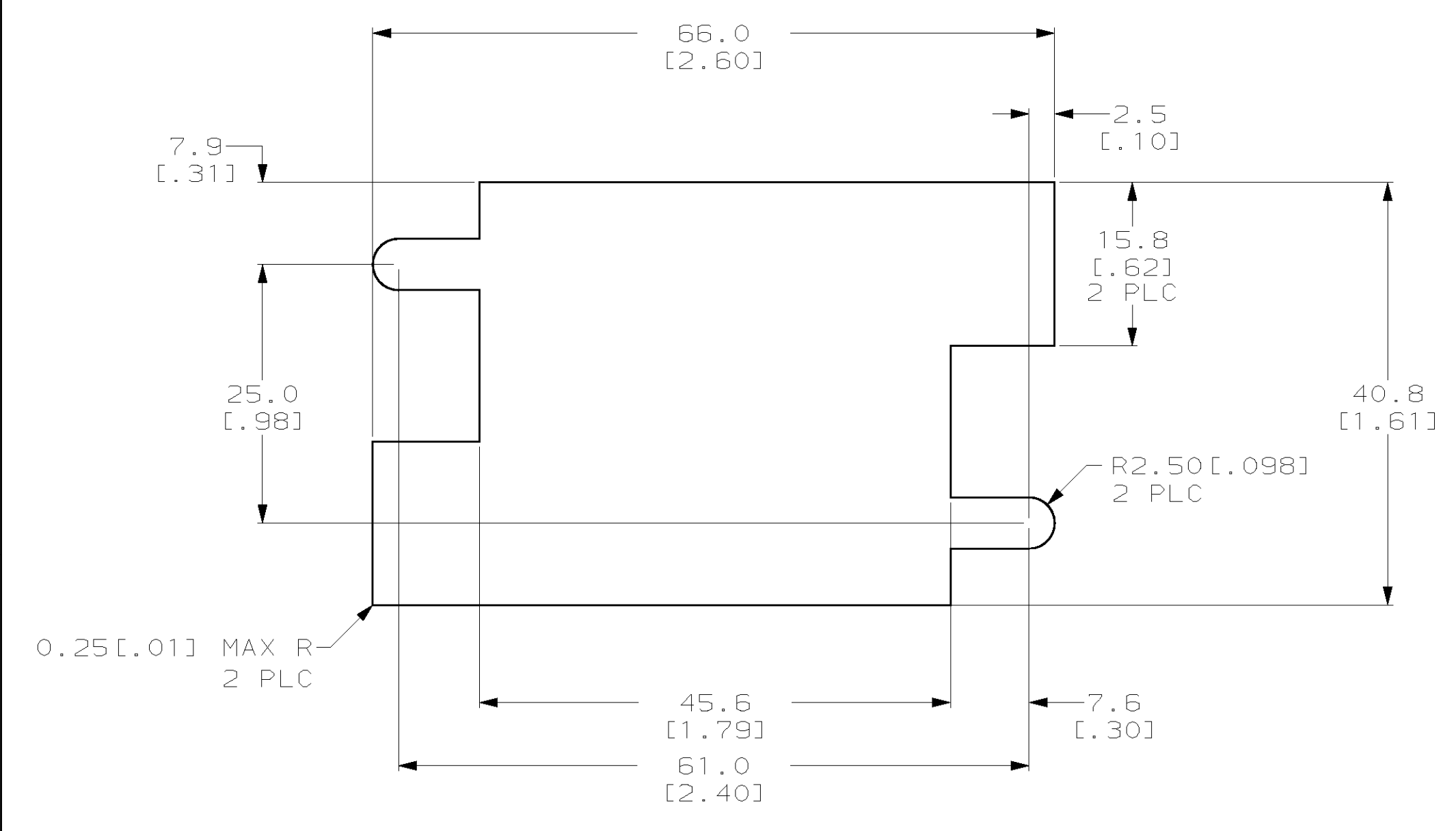
* AMPPOWER is a trademark



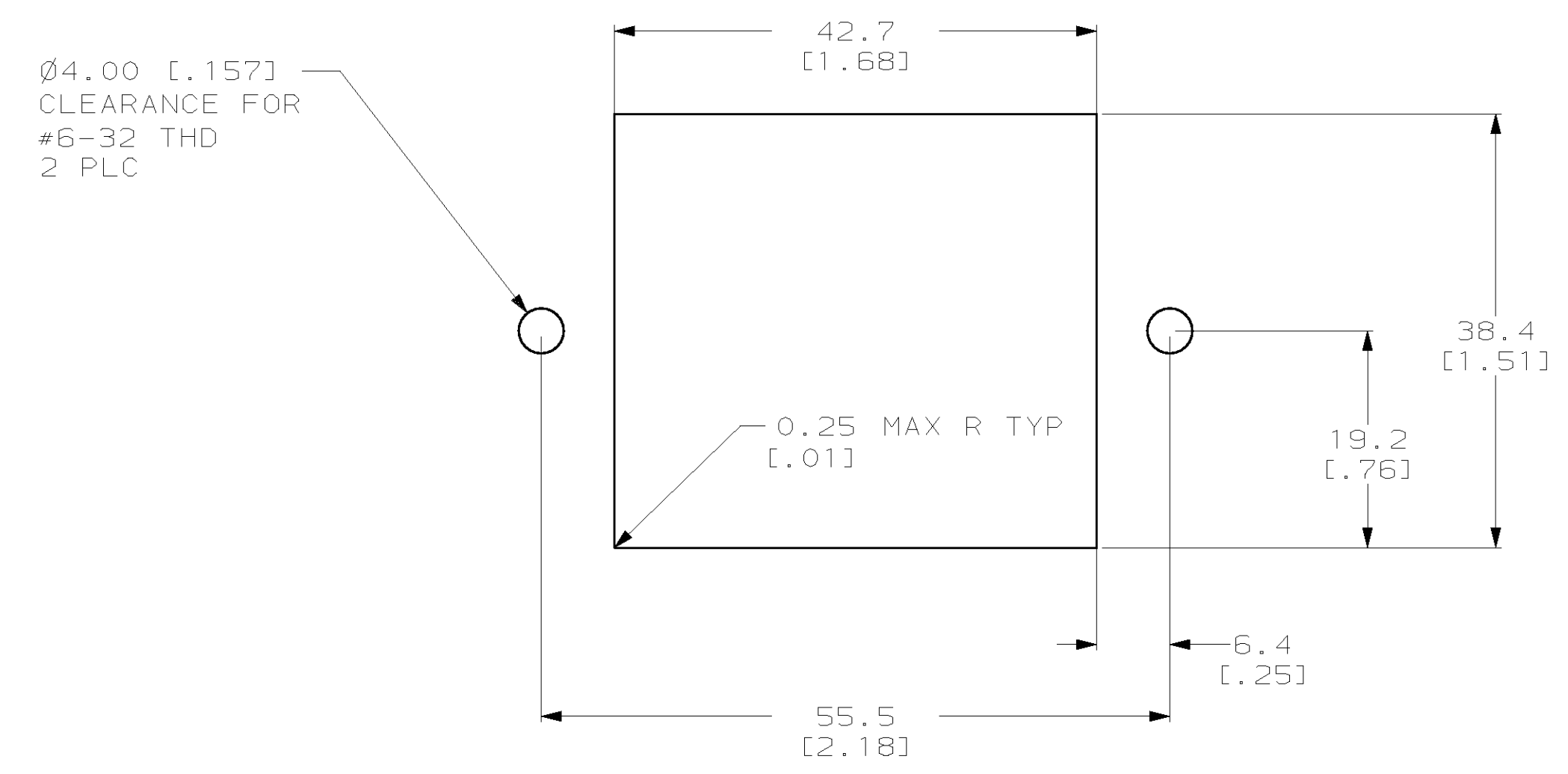
- POSITIONS 1-8 ARE FOR 3mm CONTACTS.
- POSITIONS 9-40 ARE FOR SIZE 16 CONTACTS.
- POSITIONS 41-43 ARE FOR 3mm CONTACTS.
- INSERTS ARE NOT REQUIRED WHEN FLOAT MOUNTING.
- ALL DIMENSIONS EXCEPT PANEL CUTOUTS ARE REFERENCE ONLY.

194242-1
PART NO

| | | | |
|---|---|---|--|
| <small>THIS DRAWING IS A CONTROLLED DOCUMENT AND IS UNPUBLISHED. IT IS SUBJECT TO CHANGE AND THE CONTROLLING ENGINEERING DEPARTMENT SHALL BE CONTACTED FOR THE LATEST REVISION.</small> | | DWN N POLK 25APR97 CHK APVD PRODUCT SPEC APPLICATION SPEC ANGLE FINISH | AMP Incorporated Harrisburg, PA 17105-3608 AMPPOWER* Multi Pin Plus HOUSING, PLUG 43 POSITION |
| DIMENSIONS: mm (in) | TOLERANCES UNLESS OTHERWISE SPECIFIED: Ø PLC ± 1 PLC ± 2 PLC ± 3 PLC ± 4 PLC ± | SIZE A1 00779 C=194242 | DRAWING NO 194242-1 SCALE 2:1 SHEET 12 OF 12 REV C |
| MATERIAL POLYESTER PCT, BLACK | | HEIGHT CUSTOMER DRAWING | AMP POWER |



RECOMMENDED FLOAT MOUNT PANEL CUTOUT #7
 EXTERNAL VIEW



RECOMMENDED STATIONARY MOUNT PANEL CUTOUT #6
 EXTERNAL VIEW

| | | | | |
|--|--------------|------------------|---|----------|
| THIS DRAWING IS A CONTROLLED DOCUMENT. | | DWN | N POLK | 25APR97 |
| DIMENSIONS: | | CHK | - | - |
| mm (in) | | APVD | - | - |
| TOLERANCES UNLESS OTHERWISE SPECIFIED: | | NAME | AMP Incorporated Harrisburg, PA 17105-3608 | |
| 0 PLC | ± | PRODUCT SPEC | AMPOWER* Multi Pin Plus | |
| 1 PLC | ±0.2 | APPLICATION SPEC | HOUSING, PLUG 43 POSITION | |
| 2 PLC | ±0.12(.01) | WEIGHT | SIZE | A1 |
| 3 PLC | ±0.025(.005) | CUSTOMER DRAWING | CAGE CODE | 00779 |
| 4 PLC | ± | SCALE | DRAWING NO | 194242 |
| ANGLES | ± | SCALE | 2/1 | SHEET 22 |
| FINISH | - | SCALE | 2/1 | REV C |

X-ON Electronics

Largest Supplier of Electrical and Electronic Components

Click to view similar products for [Power to the Board](#) category:

Click to view products by [TE Connectivity](#) manufacturer:

Other Similar products are found below :

[10131318-08512GRLF](#) [6450171-4](#) [6450552-7](#) [6600323-8](#) [6643429-1](#) [6646040-2](#) [6651939-1](#) [6766604-1](#) [120959-1](#) [1393557-2](#) [1393532-2](#)
[1393532-3](#) [1393532-4](#) [1600812-5](#) [1-6450861-2](#) [1645595-1](#) [1743490-1](#) [1744132-7](#) [1761122-1](#) [1766169-1](#) [1766250-1](#) [18362](#) [1892109-1](#) [1-](#)
[967627-6](#) [2226808-1](#) [2-6450860-5](#) [2-6450860-6](#) [2-6450870-0](#) [93003-0502](#) [953552-1](#) [1-6450161-4](#) [1-6450850-6](#) [1645526-2](#) [1-6600130-0](#)
[1743419-1](#) [1766150-1](#) [2005243-2](#) [211110-1](#) [2-6600130-2](#) [TE34-12-16P-F0](#) [5-6450830-6](#) [5646956-4](#) [36662-0005](#) [40585-3000](#) [4-6450830-9](#)
[4-6600333-3](#) [51142-0214](#) [10134048-911LF](#) [10130248-005LF](#) [6600320-3](#)