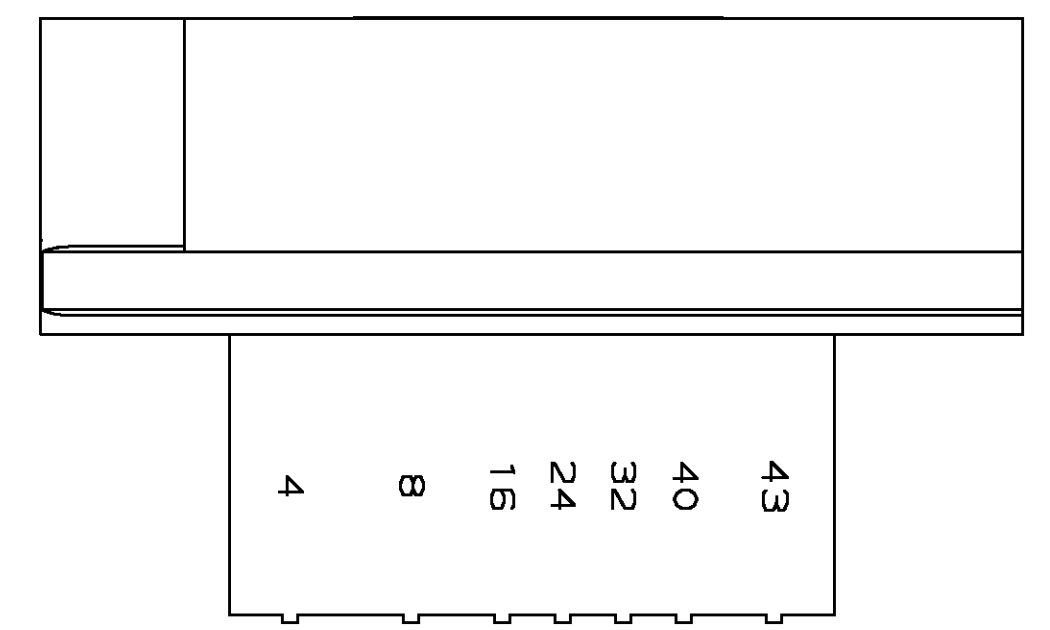
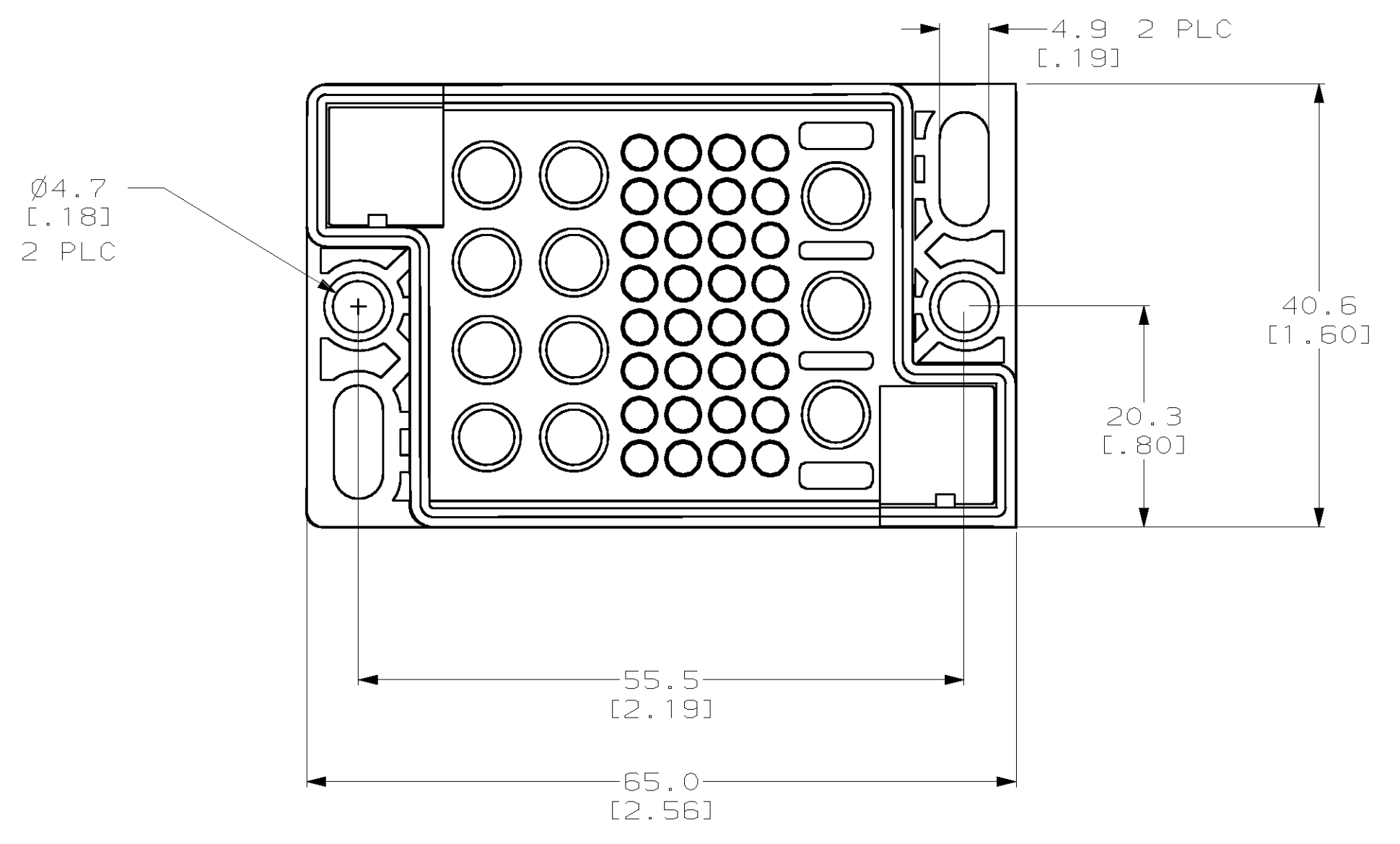
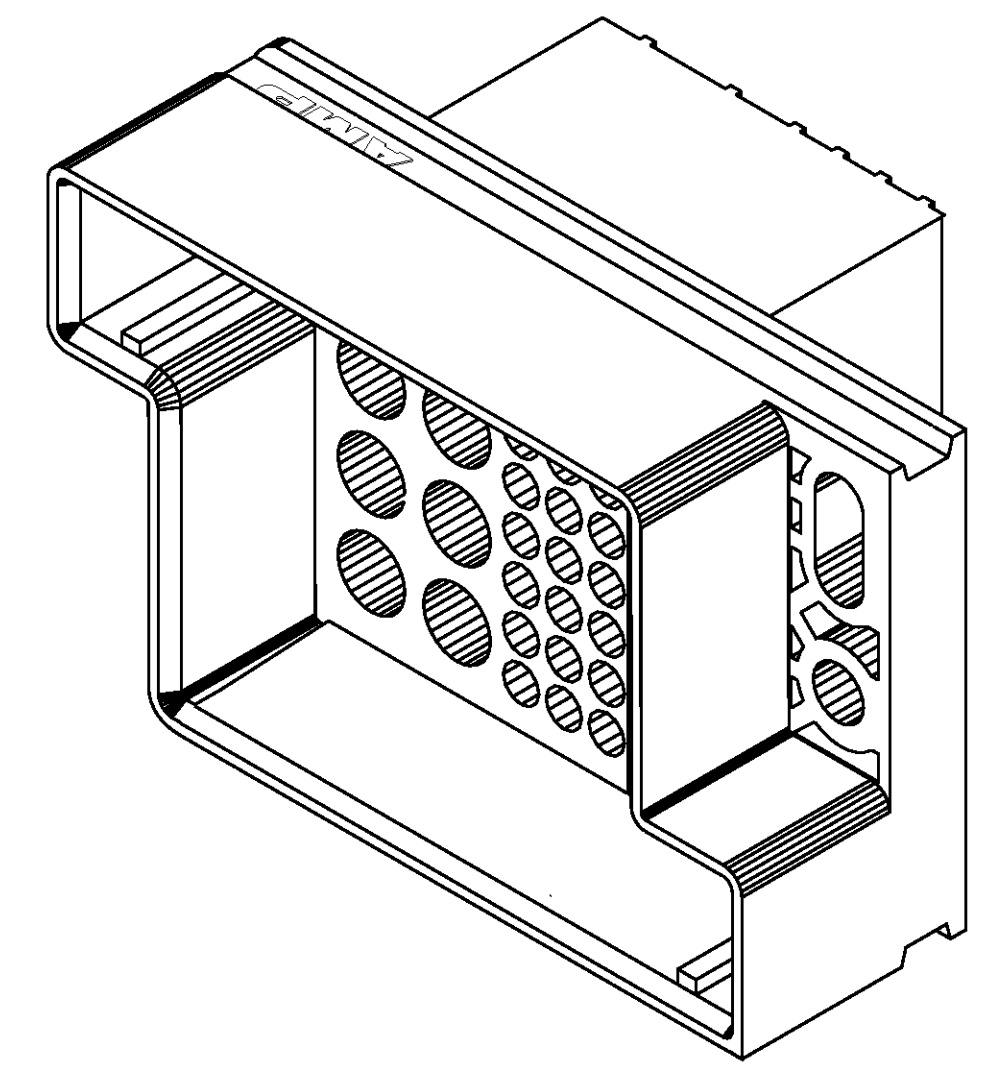
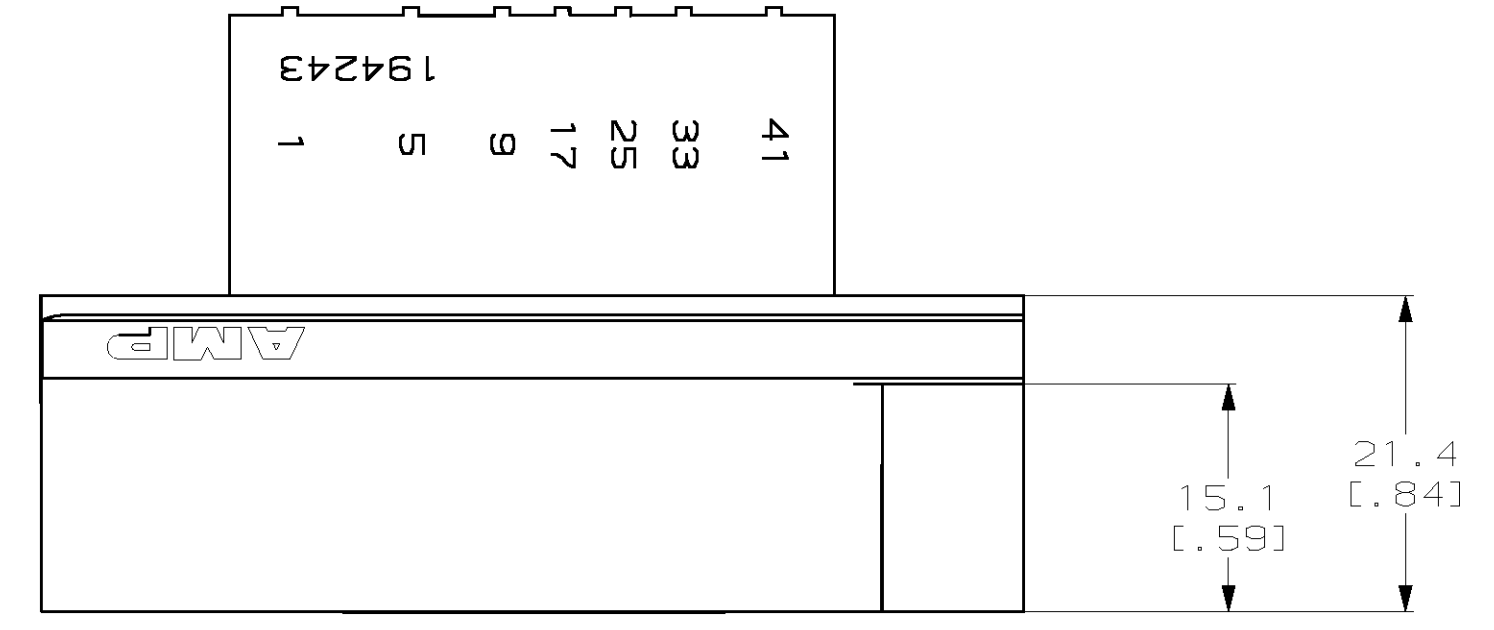


REVISIONS					
CH	NO	DATE	DESCRIPTION	BY	APPD
A	EC	0B20-0551-97	25/APR/97	RNP	RAR
B	EC	0B20-0126-98	22/JAN/98	DAP	RAR
C	EC	0B20-0188-98	22/JAN/98	DAP	RAR
D	EC	0B20-0093-99	20/JAN/99	RNP	RAR

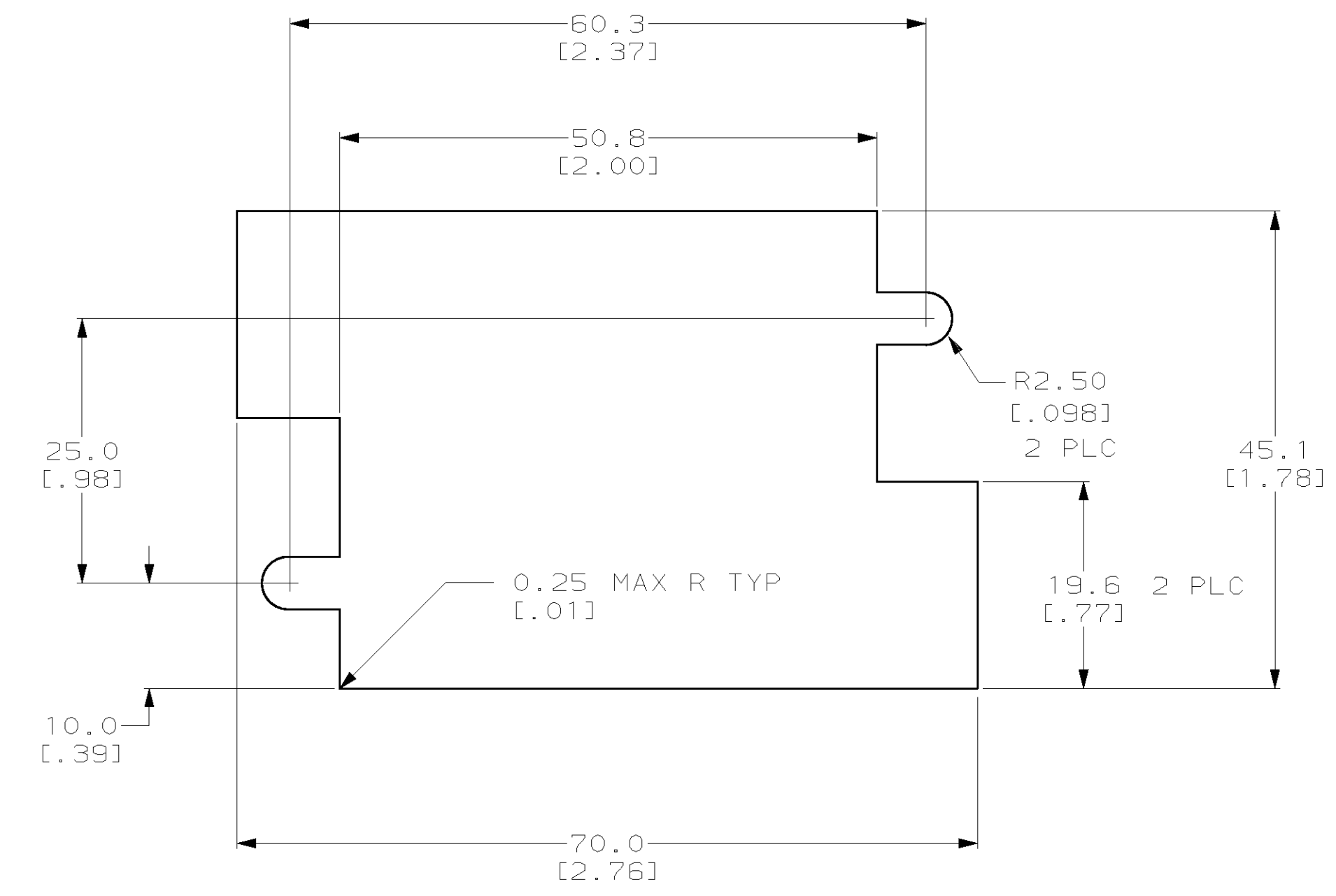
* AMPPOWER is a trademark



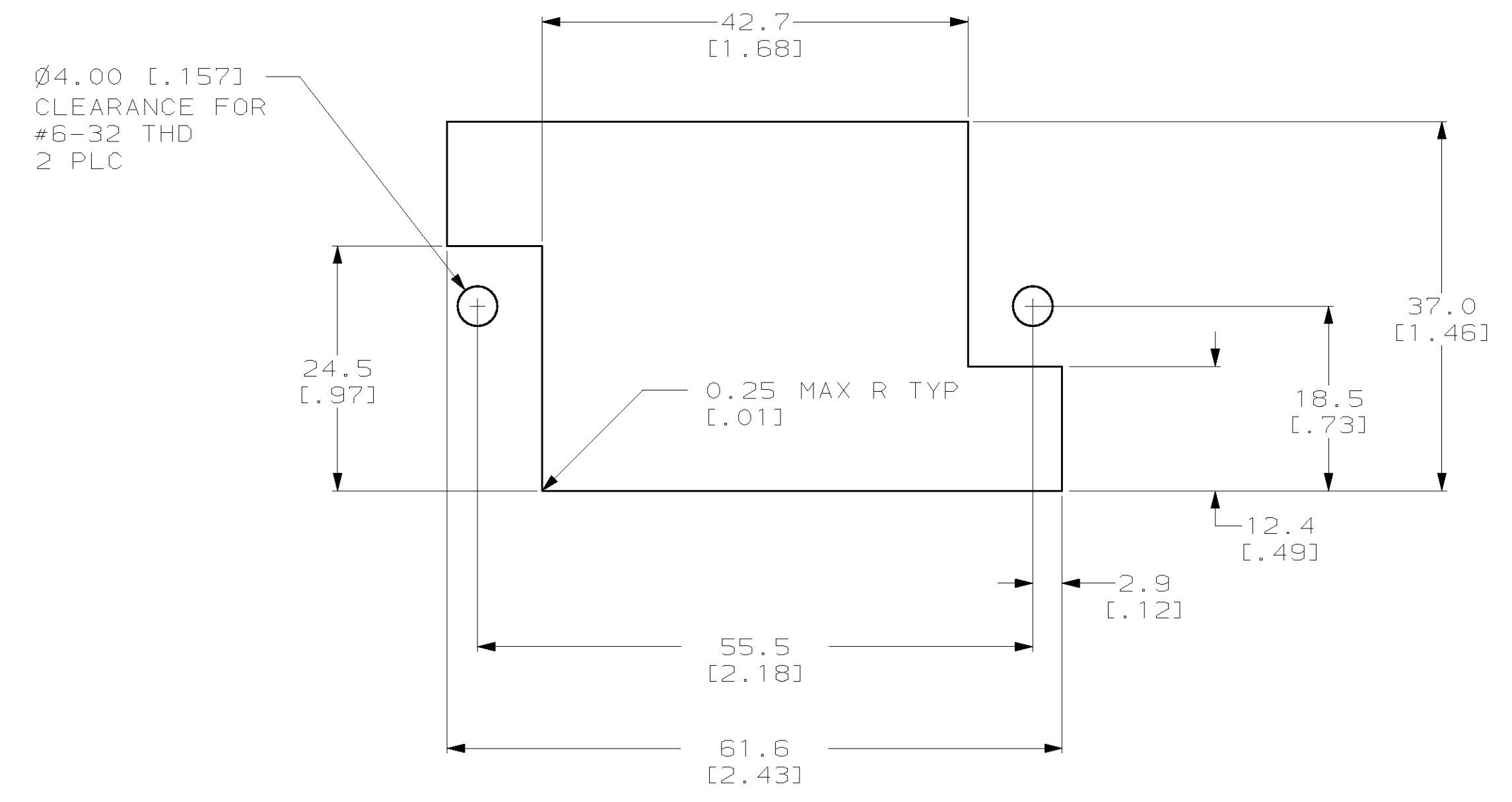
194243-1
PART NO

- POSITIONS 1-8 ARE FOR 3mm CONTACTS.
- POSITIONS 9-40 ARE FOR SIZE 16 CONTACTS.
- POSITIONS 41-43 ARE FOR 3mm CONTACTS.
- INSERTS ARE NOT REQUIRED WHEN FLOAT MOUNTING.
- ALL DIMENSIONS EXCEPT PANEL CUTOUTS ARE REFERENCE ONLY.

<small>THIS DRAWING IS A CONTROLLED DOCUMENT AND IS UNPUBLISHED. IT IS SUBJECT TO CHANGE AND THE CONTROLLING ENGINEERING DEPARTMENT SHALL BE CONTACTED FOR THE LATEST REVISION.</small>		DWN: R N POLK CHK: 25APR97 APPD: - DATE: - PRODUCT SPEC: - APPLICATION SPEC: - ANGLE: - FINISH: - WEIGHT: - CUSTOMER DRAWING	AMP AMP Incorporated Harrisburg, PA 17105-3608 AMPPOWER* Multi Pin Plus HOUSING, RECEPTACLE SIZE: A1 CAGE CODE: 00779 DRAWING NO: C=194243 SCALE: 2:1 SHEET: 12 REV: 0
---	--	---	--



RECOMMENDED FLOAT MOUNT PANEL CUTOUT #5
 EXTERNAL VIEW



RECOMMENDED STATIONARY MOUNT PANEL CUTOUT #6
 EXTERNAL VIEW

THIS DRAWING IS A CONTROLLED DOCUMENT.		Dwn	R N POLK	25/APR/97	AMP AMP Incorporated Harrisburg, PA 17105-3608
DIMENSIONS:		CHK	-	-	
mm (in)	TOLERANCES UNLESS OTHERWISE SPECIFIED:	APVD	-	-	NAME
0 PLC	±	PRODUCT SPEC	-	-	AMPOWER Multi Pin Plus
1 PLC	±	APPLICATION SPEC	-	-	HOUSING, RECEPTACLE
2 PLC	±	SCALE	2/1	SHEET	22
3 PLC	±	REV	-	REV	C
4 PLC	±	CUSTOMER DRAWING	-	-	-
ANGLES	-	SIZE	A1	CAGE CODE	00779
MATERIAL	-	WEIGHT	-	DRAWING NO	194243
FINISH	-	SCALE	2/1	SHEET	22

X-ON Electronics

Largest Supplier of Electrical and Electronic Components

Click to view similar products for [Heavy Duty Power Connectors](#) category:

Click to view products by [TE Connectivity](#) manufacturer:

Other Similar products are found below :

[647757-1](#) [6643411-1](#) [6646058-2](#) [6646137-1](#) [6646138-1](#) [6646479-1](#) [6646608-1](#) [6646786-1](#) [6646940-1](#) [6651091-1](#) [6651525-1](#) [6651529-1](#)
[6651788-1](#) [696475-1](#) [702-32-01109](#) [703-25-02205](#) [73000005059](#) [73000005642](#) [73080255059](#) [73080965046](#) [765-15-0080A](#) [765-16-0080B](#)
[765-18-0080D](#) [829992-1](#) [902-77-02113](#) [PS00/A0620/6300](#) [PS25/A0420/63](#) [129-1J](#) [1409400](#) [AN0024023](#) [E6374G1](#) [e6389g2](#) [157-43GW8](#)
[MS3117-14AC](#) [1643543-1](#) [1650540-1](#) [1651811-2](#) [1766260-1](#) [1766282-1](#) [1766966-1](#) [1791340000](#) [NLDFT-3-BL-L-S120-M40A](#) [NLDFT-N-](#)
[W-L-C240-M40B](#) [NLS-2-R-C240-M40B](#) [NLS-N-W-C240-M40B](#) [NPS-3-BL-T6](#) [1986615-1](#) [2-1589900-8](#) [2199314-1](#) [KA8102](#)