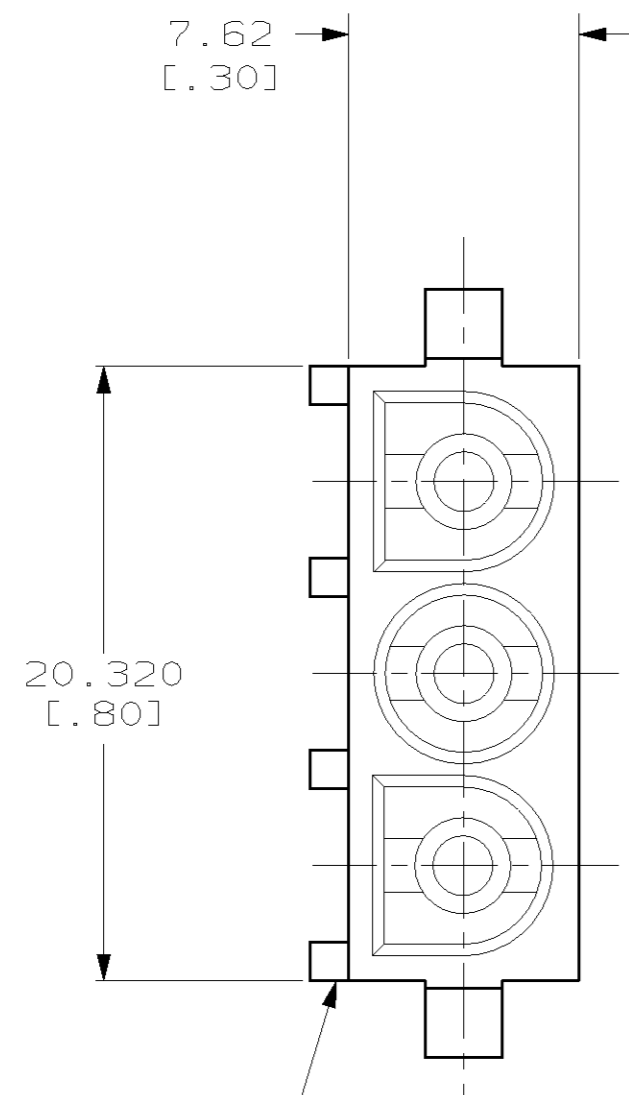


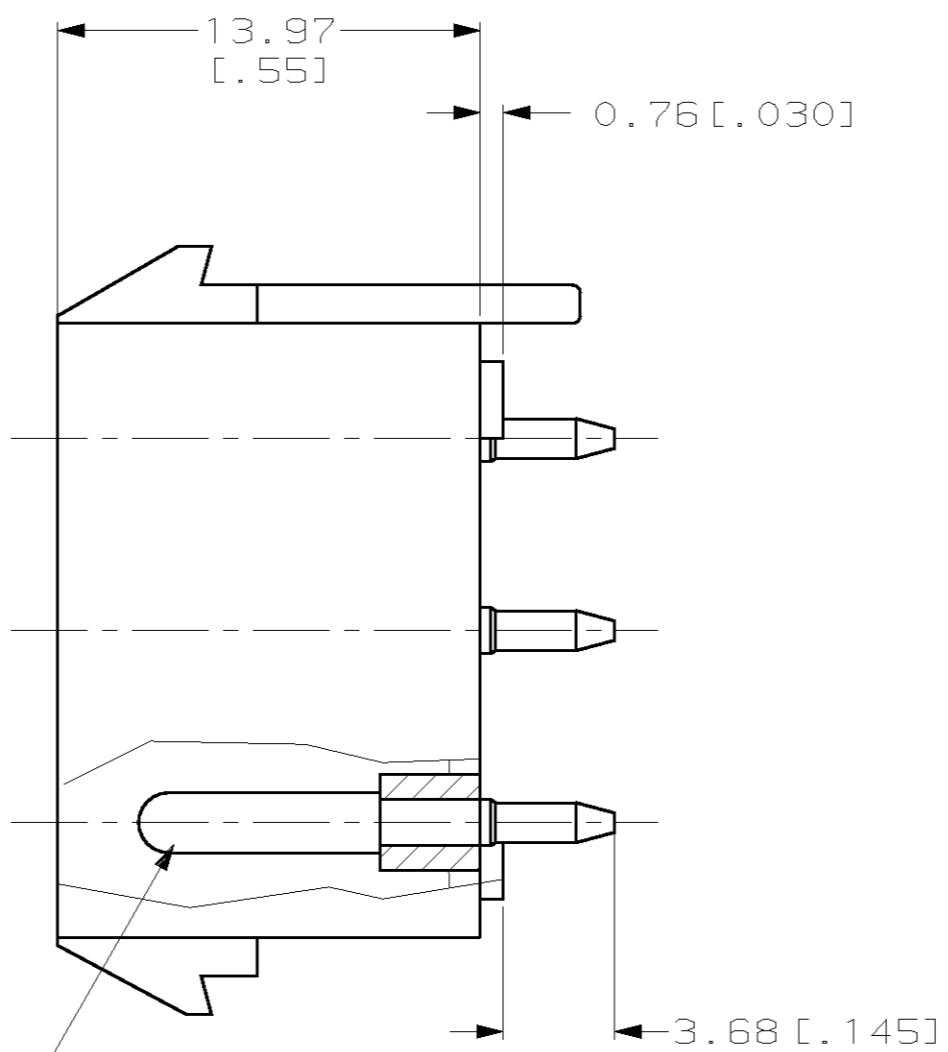
THIS DRAWING IS UNPUBLISHED. RELEASED FOR PUBLICATION
 (C) COPYRIGHT 19 BY AMP INCORPORATED. ALL RIGHTS RESERVED.

LOC	DIST	REVISIONS					
CH	11	P	LTR	DESCRIPTION	DATE	DWN	APVD
		0		RELEASED	26/AUG/97	DAP	-
		A		EC OB20-0270-98	19/FEB/98	RNP	RAR
		B		EC OB20-1083-98	20/AUG/98	RNP	RAR

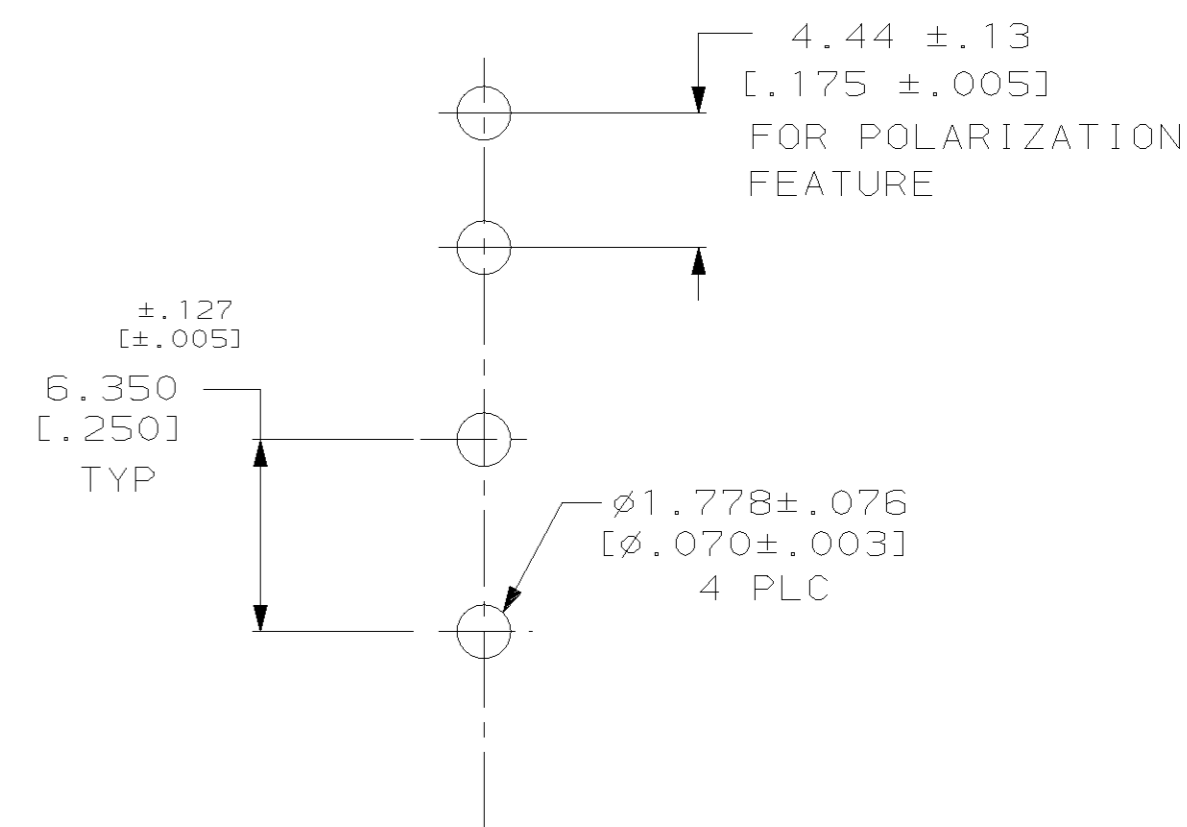
- MATES WITH MATE-N-LOK II PLUG CONNECTOR USING P/N 194211-1 OR 194213-1 SOCKET CONTACTS.
- ALL DIMENSIONS ARE REFERENCE ONLY EXCEPT P.C. LAYOUT.
- PIN CONTACTS ARE LUBRICATED.



HOUSING
 MAT'L; NYLON 94V-0



CONTACT
 MAT'L; COPPER ALLOY
 FINISH; 5.8µm [200µIN] MIN SILVER
 OVER 1.01 µm [40 µIN] MIN NICKEL



RECOMMENDED LAYOUT FOR
 1.57 [.062] THICK P.C. BOARD

THIS DRAWING IS A CONTROLLED DOCUMENT.		DWN D. A. PUERNER	26/AUG/97	AMP AMP Incorporated Harrisburg, PA 17105-3608
DIMENSIONS: mm (in)		CHK -	APVD -	
TOLERANCES UNLESS OTHERWISE SPECIFIED:		PRODUCT SPEC -		NAME HIGH CURRENT VERT. PIN HEADER ASSY. MATE-N-LOK II, 3 CIRCUIT, LUBRICATED
0 PLC ±-		APPLICATION SPEC -		SIZE A2
1 PLC ±-		WEIGHT -		CAGE CODE 00779
2 PLC ±-		CUSTOMER DRAWING		DRAWING NO C-194261
3 PLC ±-				SCALE -
4 PLC ±-				SHEET 1 OF 1
ANGLES ±-				REV B
FINISH -				

X-ON Electronics

Largest Supplier of Electrical and Electronic Components

Click to view similar products for te connectivity manufacturer:

Other Similar products are found below :

[570416-000](#) [CLTEQ-M81CE-SSRELAY-4-20V](#) [4-1633138-8](#) [D38999/24FJ4AN](#) [4-1195131-0](#) [650069-000](#) [SMD100-2](#) [2EDL4CM](#)
[DTS20W19-11PD-3028](#) [DTS20W19-11PD-3028-LC](#) [DTS20W19-32SD-3028-LC](#) [DTS20W19-32SD-3028](#) [NC6-P104-06](#) [TXR64AB90-](#)
[3616AI](#) [DTS26F21-41HE](#) [DTS26F21-41AE](#) [DTS26F21-41PE-LC](#) [DTS26F21-11SE-3028-LC](#) [D38999/24WF32JE](#) [D38999/24WF32SE-LC](#)
[DTS24W19-32HE](#) [5-2027513-8](#) [D38999/20JB35HA](#) [D38999/24WJ20PA](#) [164-8033-08](#) [D38999/24FF32JE](#) [D38999/24FF32SE-LC](#)
[D38999/24WF32JB](#) [D38999/24WG11HA](#) [D38999/24WG11HN](#) [MS27467T21F11H](#) [DJT16E21-11HA](#) [DTS24F19-32HE](#) [1-532955-3](#)
[DTS20W19-32SA-3028-LC](#) [DTS24F19-11SC-3028-LC](#) [DTS24F19-11SC-3028](#) [DJT14E13-98HB](#) [D38999/20WC8BB](#) [1-330599-5](#)
[DTS24F21-41HN-LC](#) [DTS24F21-41HN](#) [DTS24F21-41AN](#) [DTS24F21-39HN](#) [DTS24F21-41PN-LC](#) [AFD50-10-6SN-1A-LC](#) [DBAS 70-7-0](#)
[SN 090-1A SCC](#) [DJT10F17-26HC](#) [DTS24W19-32HB](#) [ACT20JE99HA](#)