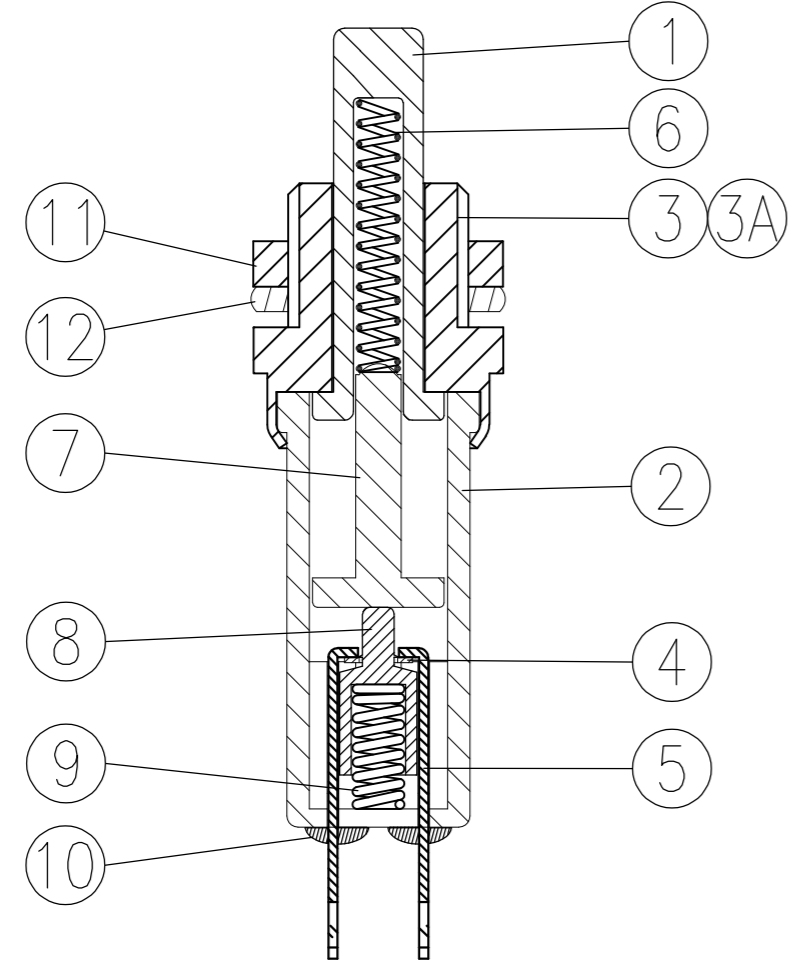


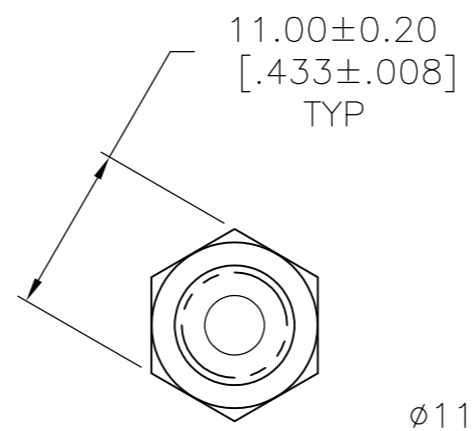
THIS DRAWING IS UNPUBLISHED. RELEASED FOR PUBLICATION
 © COPYRIGHT - By - ALL RIGHTS RESERVED.

| LOC | | DIST | | REVISIONS | | | |
|-----|-----|---------------------------|-----------|-----------|------|--|--|
| P | LTR | DESCRIPTION | DATE | DWN | APVD | | |
| B | | REVISED PER ECO-14-015934 | 27OCT2014 | NK | RH | | |

- 1 RATING: 1-3A 12VDC
 CIRCUIT TYPE: 2P SPST N.C., ON-(OFF), PUSH TO SWITCH OFF
 PLUNGER FULL TRAVEL: 7.80 ± 0.30 [.307 ± .012], PLUNGER (ITEM#1) MUST TRAVEL BELOW THE TOP SURFACE OF THE THREADED BUSHING (ITEM#3)
- 2 ALL MATERIALS ARE ROHS COMPLIANT PER TE SPEC 230-702.
- 3 RECOMMENDED MOUNTING HOLE DIA.: $\varnothing 8.00 \pm 0.20$ [$\varnothing 0.315 \pm 0.008$], THICKNESS: 1.00-2.70 [.039-.106],
- 4 SWITCHES ARE SUPPLIED WITH MOUNTING HARDWARE.
- 5 TORQUE FOR MOUNTING HARDWARE 7 INCH POUNDS MAX.

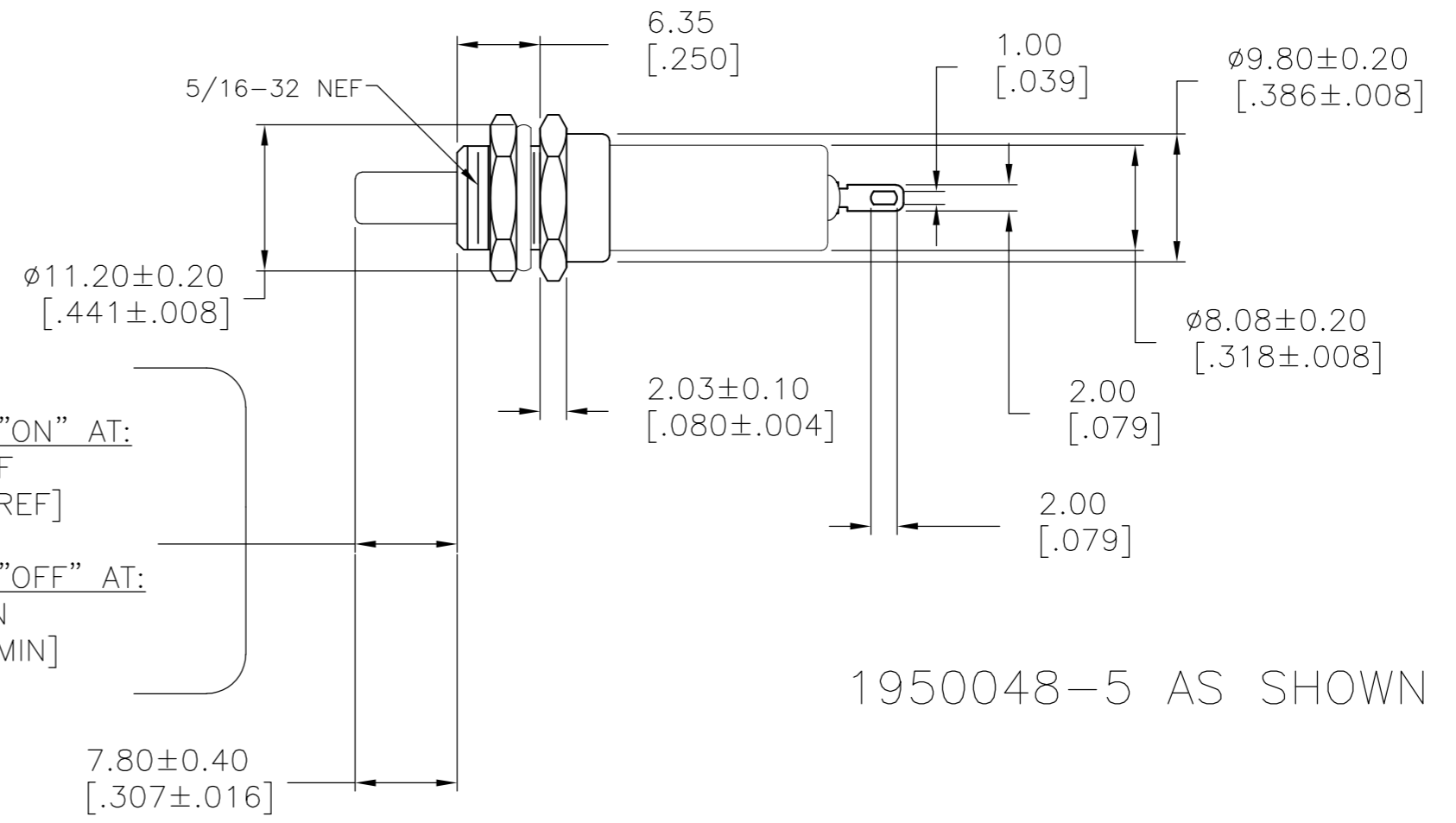
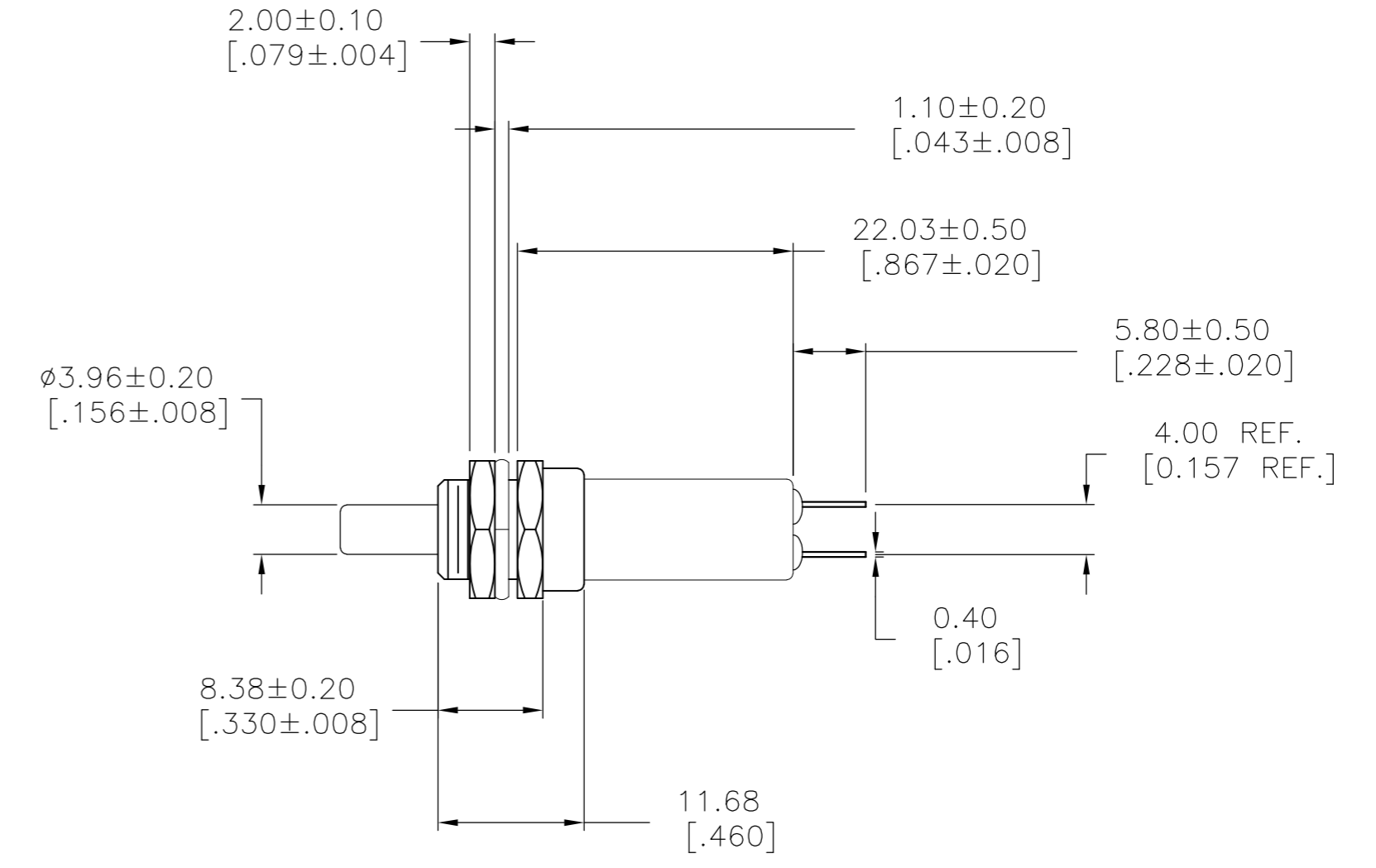


| No. | Item name | Base material | Plating |
|-----|------------------------|----------------------|---------------|
| 1 | Plunger | PA66, UL94-V2, White | None |
| 2 | Frame | PBT, UL94-V2, Black | None |
| 3 | Bushing (5/16-32NEF) | Copper Alloy | Nickel Plated |
| 3A | Bushing (5/16-32NEF) | Zinc | Nickel Plated |
| 4 | Contact (Moving) | Copper Alloy | Silver Plated |
| 5 | Terminal (Fixed) Qty:2 | Copper Alloy | Silver Plated |
| 6 | Spring (Plunger) | Stainless Steel | None |
| 7 | Insulator | PA6/66, UL94 V0 | None |
| 8 | Actuator | PBT, UL94-V2 | None |
| 9 | Spring (Actuator) | Stainless Steel | None |
| 10 | Sealant | Epoxy, Blue | None |
| 11 | HEX NUT (5/16-32NEF) | BRASS (JISC36002BE) | Nickel Plated |
| 12 | LOCK WASHER ON | STEEL (SWC) | Nickel Plated |



1 SWITCH "ON" AT:
 7.80 REF
 [.307 REF]

SWITCH "OFF" AT:
 6.20 MIN
 [.244 MIN]



1950048-5 AS SHOWN

| TEST OR EXAMINATION | REQUIREMENT | TEST STANDARD | Test Group | | | | | |
|--------------------------------------|---|---|------------|-----|---|---|---|---|
| | | | 1 | 2 | 3 | 4 | 5 | 6 |
| Initial Examination of Product | Meets drawing requirements | Drawing | 1 | 1 | 1 | 1 | 1 | 1 |
| Initial Termination Resistance | 50 milliohms max. | EIA 364-23B | 2 | 2 | | | | |
| Insulation Resistance | 100 megohms min. | EIA 364-21C | | | | 2 | | |
| Dielectric Withstanding Voltage | 1,000 VAC | EIA 364-20B, Condition 1 | 6 | | | 3 | | |
| Electrical Overload Cycling | 50 cycles at 4.5A, 12VDC | EIA RS 448, Method 7 | 3 | | | | | |
| Electrical Endurance Cycling | 6,000 cycles at 3A, 12VDC | EIA RS 448, Method 8 | 4 | | | | | |
| Temperature Rise vs Current | 30°C max temperature rise from ambient | EIA RS 448, Method 6 | 5 | | | | | |
| Mechanical Endurance Cycling | 10,000 cycles, No physical damage | EIA RS 448, Method 9 | | 5 | | | | |
| Plunger Travel | "NOTE 1" (Switch OFF at 6.20mm min) | Verify ON / OFF operating range. | | 3 | | | | |
| Actuation Force | 800-1100 grams | "NOTE 1" (Switch OFF at 6.20mm min.) Measure force with Plunger at Full Travel | | 4,6 | | | | |
| Low Temperature Cycling | 10,000 cycles. No physical damage | EIA 448, Method 10, 10,000 cycles at -20C | | | | | 2 | |
| High Temperature Cycling | 10,000 cycles. No physical damage | EIA 448, Method 10, 10,000 cycles at +65C | | | | | | 2 |
| Termination Solderability | Pass/fail per EIA 364-52 (95% min coverage) | EIA 364-52, Class 2, Category 1 | | | 2 | | | |
| Resistance to Solder Heat (terminal) | No physical damage | EIA 364-56A, procedure 2 | | | | 4 | | |
| Final Examination of Product | Meets drawing requirements | Drawing | 7 | 7 | 3 | 5 | 3 | 3 |

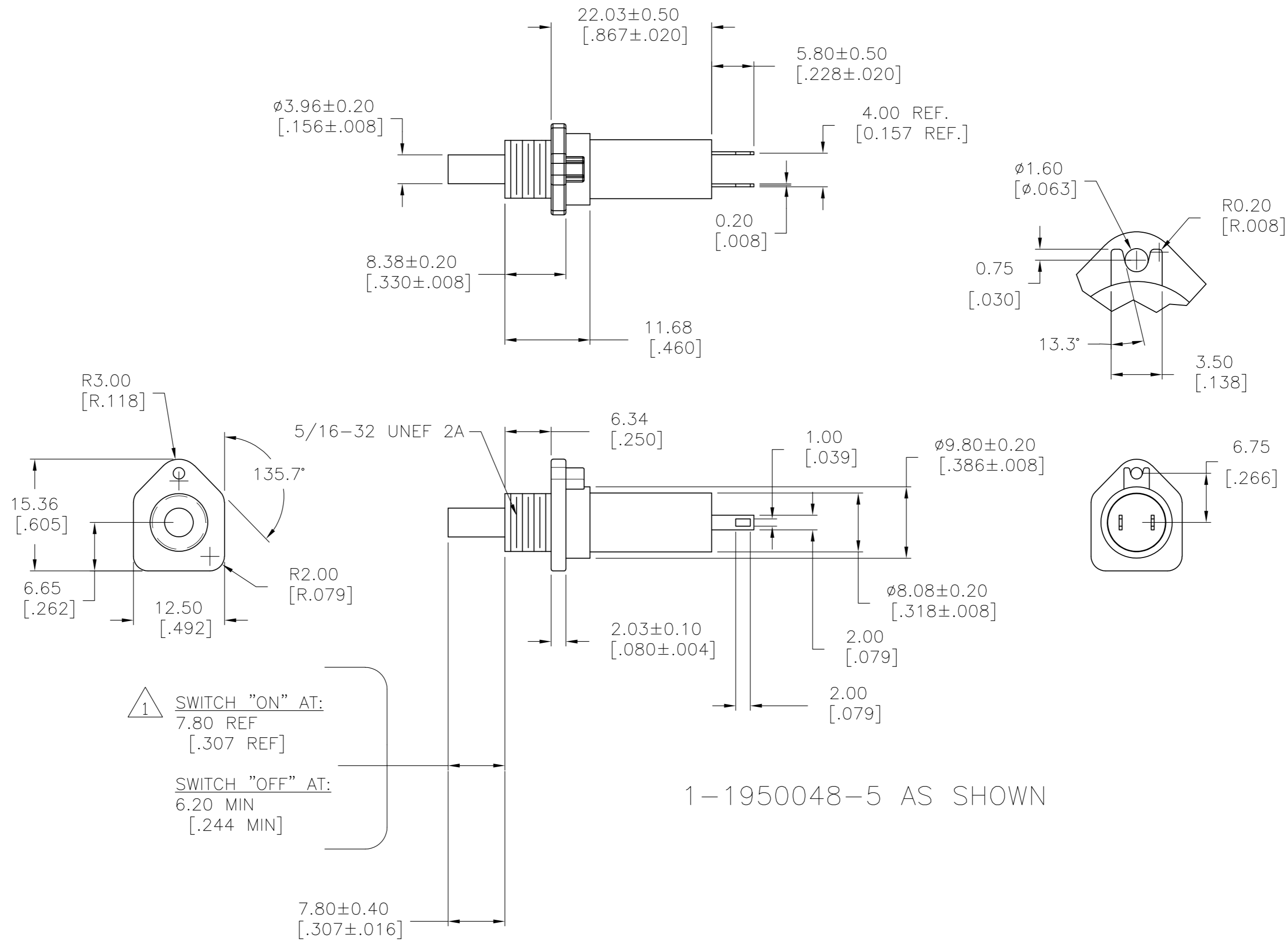
** 6 Samples required for each group.

| | | |
|-------------------------|-------------------------------------|-------------|
| SUPERSEDED BY 1950048-5 | 3A | 1-1950048-5 |
| | 3 | 1950048-5 |
| | BUSHING TYPE "SEE BILL OF MATERIAL" | PART NUMBER |

| | | | | | |
|--|--|--------------|-----------|---|--|
| THIS DRAWING IS A CONTROLLED DOCUMENT. | | DWN S. GOOD | 21SEP2006 | TE Connectivity | |
| DIMENSIONS: mm [INCHES] | | CHK - | APVD - | NAME | |
| TOLERANCES UNLESS OTHERWISE SPECIFIED: | | PRODUCT SPEC | | EXTENDED TRAVEL PUSHBUTTON | |
| 0 PLC ± - | | SEE DWG | | APPLICATION SPEC | |
| 1 PLC ± - | | | | SIZE CAGE CODE DRAWING NO RESTRICTED TO | |
| 2 PLC ± 0.25 [.010] | | | | A2 00779 C=1950048 | |
| 3 PLC ± - | | | | SCALE 2:1 SHEET 1 OF 2 REV B | |
| 4 PLC ± - | | | | | |
| ANGLES ± 1 | | | | | |
| MATERIAL SEE DWG 2 | | WEIGHT - | | CUSTOMER DRAWING | |

THIS DRAWING IS UNPUBLISHED. RELEASED FOR PUBLICATION
 © COPYRIGHT - By - ALL RIGHTS RESERVED.

| LOC | | DIST | | REVISIONS | | | |
|-----|-----|-------------|------|-----------|------|---|---|
| P | LTR | DESCRIPTION | DATE | DWN | APVD | | |
| - | - | SEE SHEET 1 | - | - | - | - | - |



| | | | | | | |
|--|--|------------------|---------|------------------|----------------------------|-----------|
| THIS DRAWING IS A CONTROLLED DOCUMENT. | | DWN | S. GOOD | 21SEP2006 | STE TE Connectivity | |
| DIMENSIONS: mm [INCHES] | | CHK | - | - | | |
| TOLERANCES UNLESS OTHERWISE SPECIFIED: | | APVD | - | - | EXTENDED TRAVEL PUSHBUTTON | |
| 0 PLC ± - | | NAME | | SIZE | | |
| 1 PLC ± - | | PRODUCT SPEC | | A2 | 00779 | C=1950048 |
| 2 PLC ± 0.25 [.010] | | SEE DWG | | RESTRICTED TO | | |
| 3 PLC ± - | | APPLICATION SPEC | | - | | |
| 4 PLC ± - | | MATERIAL | | - | | |
| ANGLES ± 1 | | FINISH | | - | | |
| SEE DWG | | SEE DWG | | CUSTOMER DRAWING | | |
| SCALE 2:1 | | SHEET 2 OF 2 | | REV B | | |

1950048

X-ON Electronics

Largest Supplier of Electrical and Electronic Components

Click to view similar products for [Pushbutton Switches](#) category:

Click to view products by [TE Connectivity](#) manufacturer:

Other Similar products are found below :

[8940K2012](#) [LW1L-M1C10V-A](#) [LW1L-M1C70-A](#) [LW2L-A1C20M-GD](#) [LW2L-M1C20M-A](#) [60324L](#) [M22-D-R-GB0/K11](#) [M7E-HRN2](#)
[67021K512](#) [67081K512X](#) [701PB580](#) [7199K101](#) [810K12910](#) [810KSV30B](#) [MML21EA2ADK](#) [MML21KA3ABK](#) [MML23KA3AC05K-001](#)
[MML23KW3AA01W](#) [8418K2](#) [8442K3](#) [8450K1](#) [860K11911T01A](#) [861901](#) [861K11911T01A07](#) [861K13810T00A14](#) [861K13911](#)
[8646AB6X718UL](#) [8646ABUL](#) [9001KXRK](#) [907AYY100](#) [PMHD155A1](#) [9533CD4+U574+U4922](#) [95-414.000](#) [99-450.837](#) [99-453.837](#)
[PV3H2B0NN-341](#) [1203MRA](#) [A22NZBGANGA](#) [A22NZBNANGA](#) [A22NZMPATRA](#) [A2PMA1X03EC56](#) [A3A-5123-02](#) [A3A-7140](#) [A3A-7310](#) [A3A-7340](#) [A3U-TMW-A2C-5M](#) [A595](#) [12037A2ULCSA](#) [ABD122N-B](#) [1211390004](#)