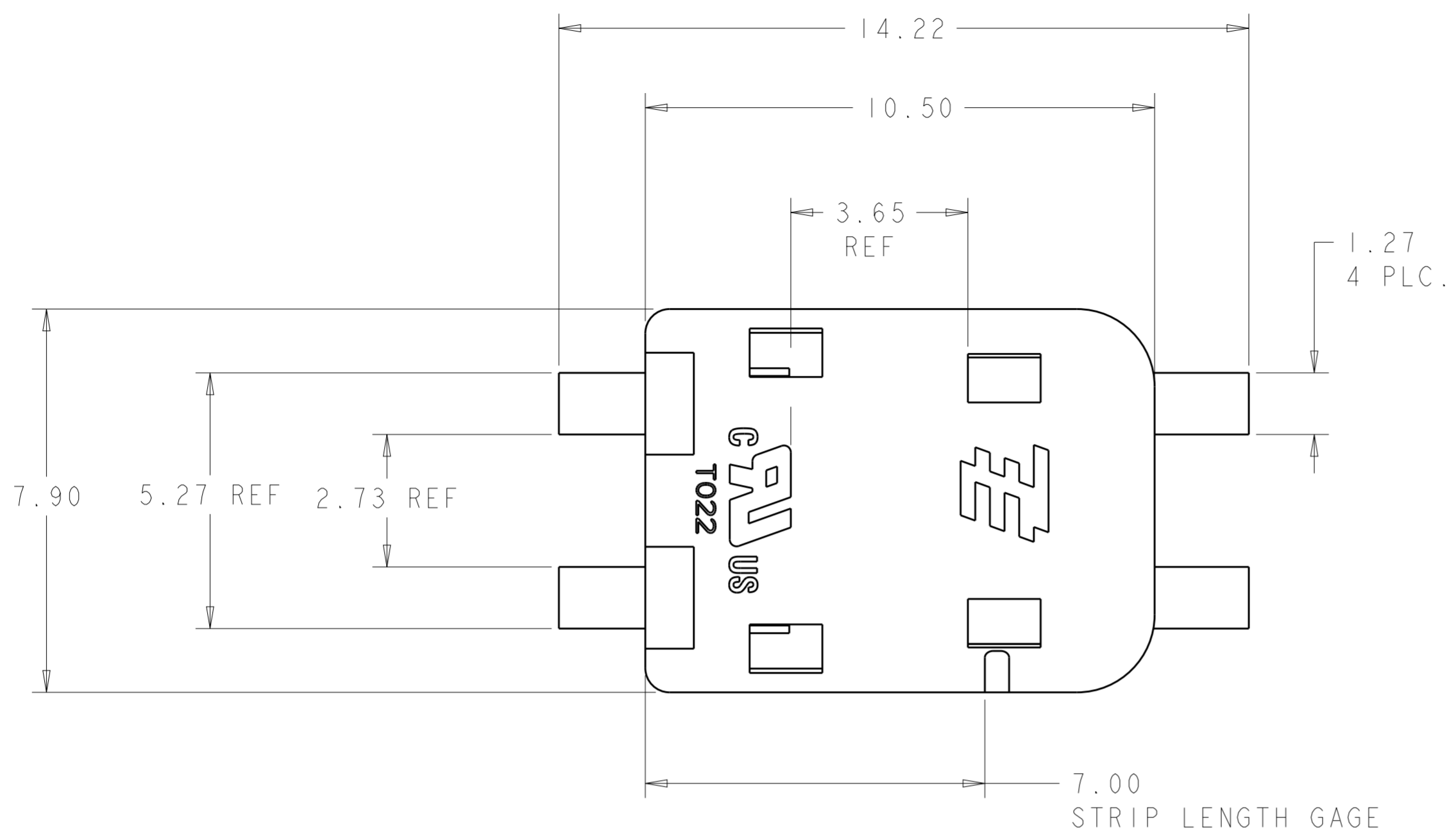
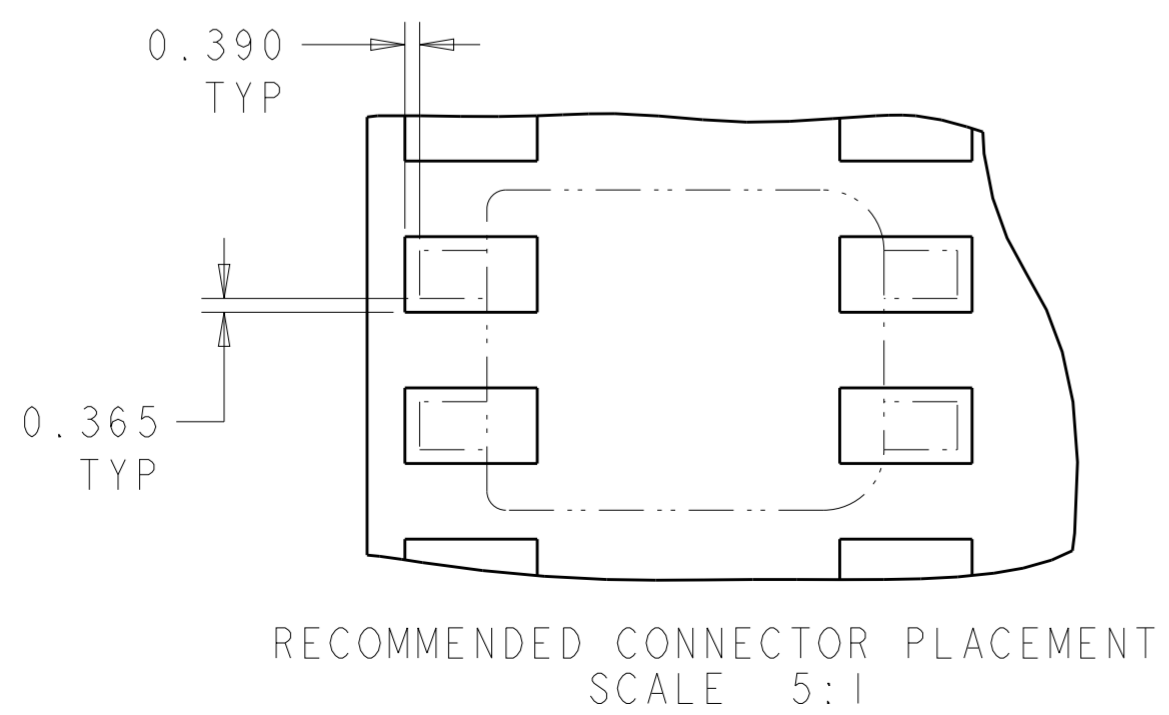
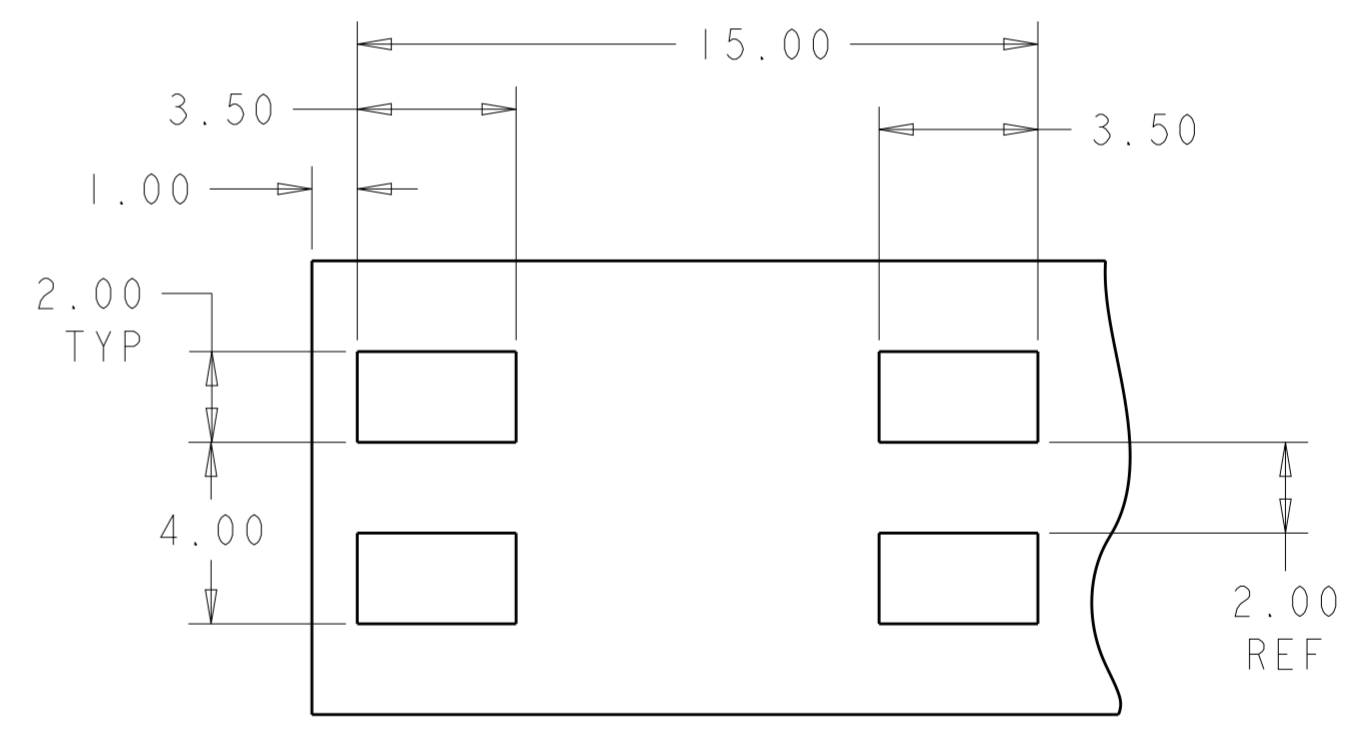
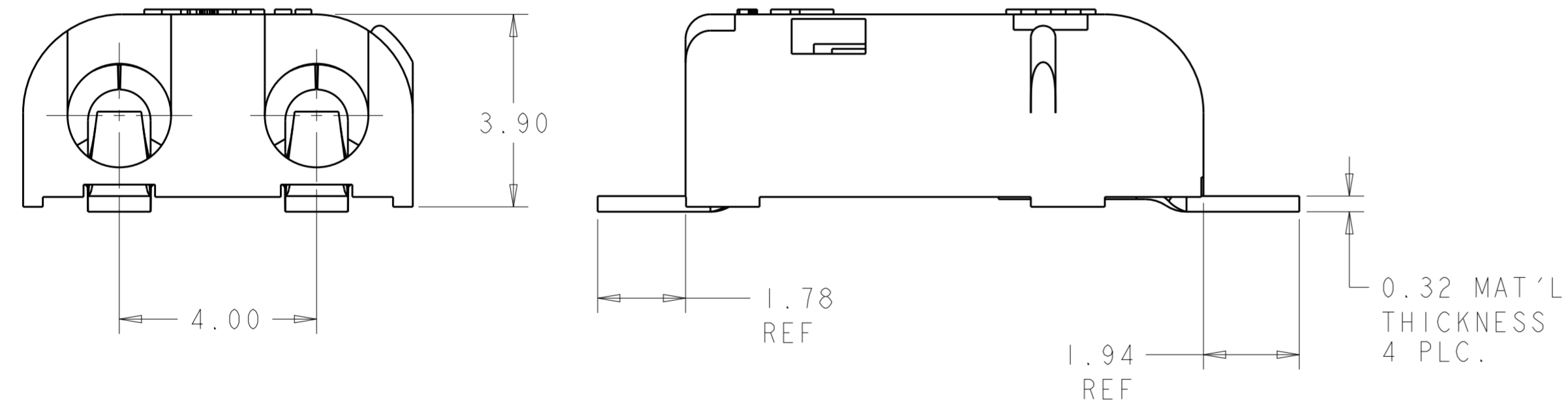


THIS DRAWING IS UNPUBLISHED. RELEASED FOR PUBLICATION 20  
 © COPYRIGHT 20 BY - ALL RIGHTS RESERVED.

LOC		DIST		REVISIONS			
P	LTR	DESCRIPTION	DATE	DWN	APVD		
	A7	REVISED PER ECO-11-004587	11MAR2011	RK	HMR		
	A8	REVISED PER ECR-11-011090	03JUN2011	SK	DD		
	A9	REVISED PER ECR-14-017349	02DEC2014	RS	DD		



- NOTES :
- 1. MATERIALS AND FINISH:  
 - HOUSING: LCP, COLOR: WHITE  
 - CONTACTS: COPPER ALLOY, FINISH: TIN
  - 2. MUST COMPLY WITH DIRECTIVE 2002/95/EC (ROHS)
  - 3. NOTE DELETED.
  - 4. WIRE TYPES AND SIZES ACCEPTED  
 18, 20 AND 22 AWG SOLID WIRE  
 18 AND 20 AWG PREBOND STRANDED WIRE  
 18 AWG STRANDED WIRE (16 STRAND COUNT)  
 MAX INSULATION OD: 2.10 MM (.083")  
 STRIP LENGTH: 7.0±1.0 (.276")
  - 5. MATERIAL AND FINISH:  
 -HOUSING: LCP, COLOR: BLACK.  
 -CONTACTS: COPPER ALLOY, FINISH: TIN
  - 6. PACKAGED IN TAPE AND REEL

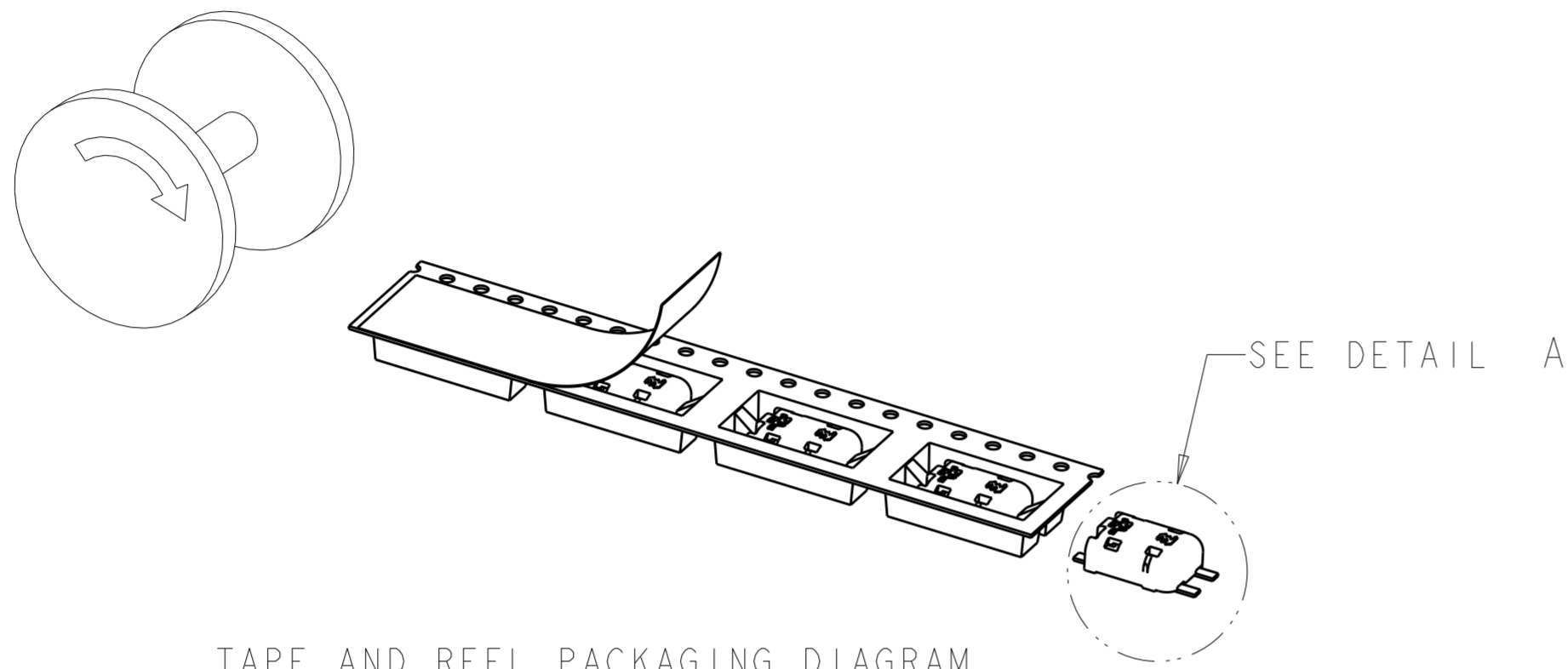


PACKAGING	MATERIAL	COLOR	PART NO.
OBSOLETE	1	WHITE	1954097-3
6	5	BLACK	1-1954097-1
6	1	WHITE	1954097-1

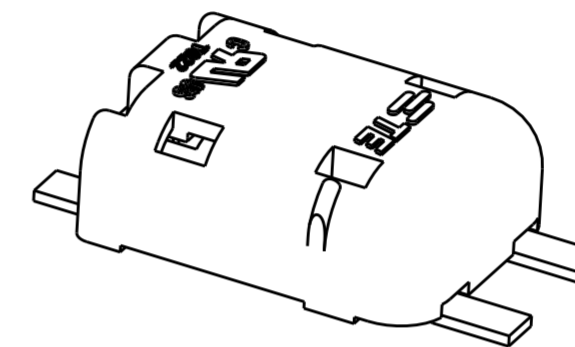
THIS DRAWING IS A CONTROLLED DOCUMENT.		DWN C. DAILY 06 JUN 2006	TE Connectivity	
DIMENSIONS: mm		CHK S. HORST 06 JUN 2006		
TOLERANCES UNLESS OTHERWISE SPECIFIED:		APVD J. K. KNOLL 25 OCT 2007	NAME POKE-IN LED CONNECTOR ASSEMBLY, 2 POSITION SMT	
0 PLC ± 1 PLC ±0.2 2 PLC ±0.10 3 PLC ± 4 PLC ±		PRODUCT SPEC 108-2284	SIZE A200779	
ANGLES ±3°		APPLICATION SPEC 114-13194	DRAWING NO C-1954097	
FINISH		WEIGHT -	RESTRICTED TO -	
SEE TABLE		Customer Drawing		
SEE TABLE		SCALE 7:1 SHEET 1 OF 2 REV A9		

THIS DRAWING IS UNPUBLISHED. RELEASED FOR PUBLICATION 20  
 © COPYRIGHT 20 BY - ALL RIGHTS RESERVED.

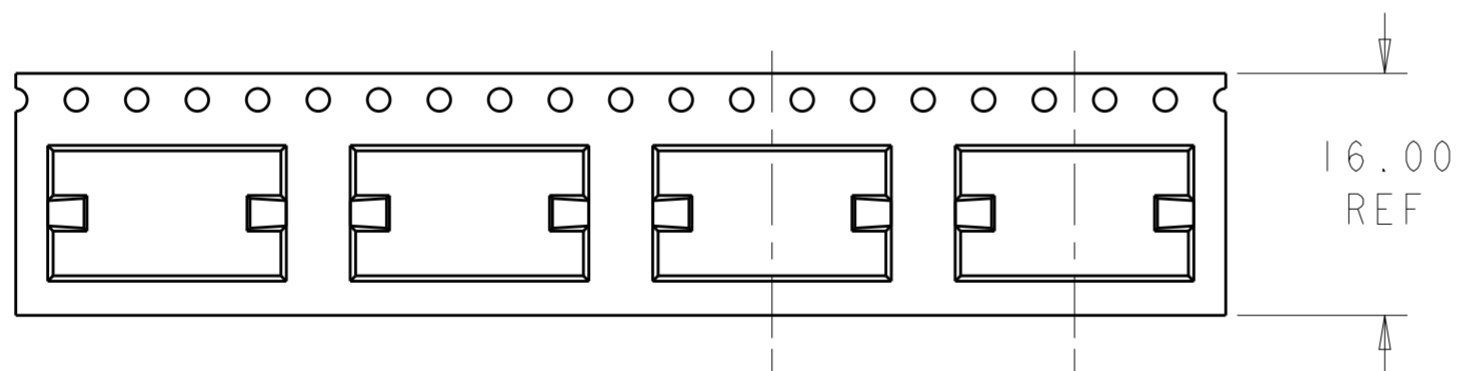
LOC	DIST	REVISIONS				
P	LTR	DESCRIPTION	DATE	DWN	APVD	
AF	50	-	SEE SHEET 1	-	-	



TAPE AND REEL PACKAGING DIAGRAM  
 FOR 1954097-1 & 1-1954097-1



DETAIL A  
 SCALE 5:1



20.00 REF  
 TYP

16.00  
 REF

SCALE 2:1

THIS DRAWING IS A CONTROLLED DOCUMENT.		DWN C. DAILY 06 JUN 2006	TE Connectivity	
DIMENSIONS: mm		CHK S. HORST 06 JUN 2006		
		APVD J.K. KNOLL 25 OCT 2007		
TOLERANCES UNLESS OTHERWISE SPECIFIED:		PRODUCT SPEC	NAME POKE-IN LED CONNECTOR ASSEMBLY, 2 POSITION SMT	
0 PLC ±	1 PLC ±0.2	108-2284	SIZE	RESTRICTED TO
2 PLC ±0.10	3 PLC ±	APPLICATION SPEC	CAGE CODE	
4 PLC ±	ANGLES ±3°	114-13194	DRAWING NO	
MATERIAL	FINISH	WEIGHT	A200779	
SEE TABLE	SEE TABLE	Customer Drawing	C-1954097	
SCALE 7:1			SHEET 2 OF 2	REV A9

## X-ON Electronics

Largest Supplier of Electrical and Electronic Components

*Click to view similar products for [Lighting Connectors](#) category:*

*Click to view products by [TE Connectivity](#) manufacturer:*

Other Similar products are found below :

[293300-7](#) [293660-5](#) [CNX\\_H03\\_NTP](#) [30-9767-BU](#) [3605](#) [3-21030-1](#) [ZCH-110-RGB-I](#) [503471-0290](#) [ZCH-110-RGB-J](#) [217-0716-200](#)  
[1954563-1](#) [1-293657-2](#) [2834036-1](#) [2834037-1](#) [1-2213222-4](#) [2-2213222-4](#) [2213222-4](#) [2834122-3](#) [2834122-5](#) [2834135-2](#) [FLA-R4142-30](#)  
[FLA-R4162-30](#) [FLA-R2142-30](#) [FLA-R2141-30](#) [FLA-R2162-30](#) [FLA-R2161-30](#) [FLA-R0161-30](#) [FLA-R0141-30](#) [FLA-R0142-30](#) [FLA-](#)  
[R0162-30](#) [FLA-C00-00](#) [DGA00010553](#) [CNXV04NTP](#) [104128-0610](#) [503485-0000 \(Cut Strip\)](#) [503485-0000 \(Loose Piece\)](#) [503485-0000](#)  
[\(MINI Reel\)](#) [1-2834074-2](#) [1-2834074-3](#) [1357-AC PLUG W2C \(CHINA\)](#) [1357-AC PLUG W2 \(USA\)](#) [104266-0110](#) [2106212-1](#) [2-2834074-2](#)  
[104266-0210](#) [293470-1](#) [293651-2](#) [293651-4](#) [1-2834006-2](#) [293651-1](#)