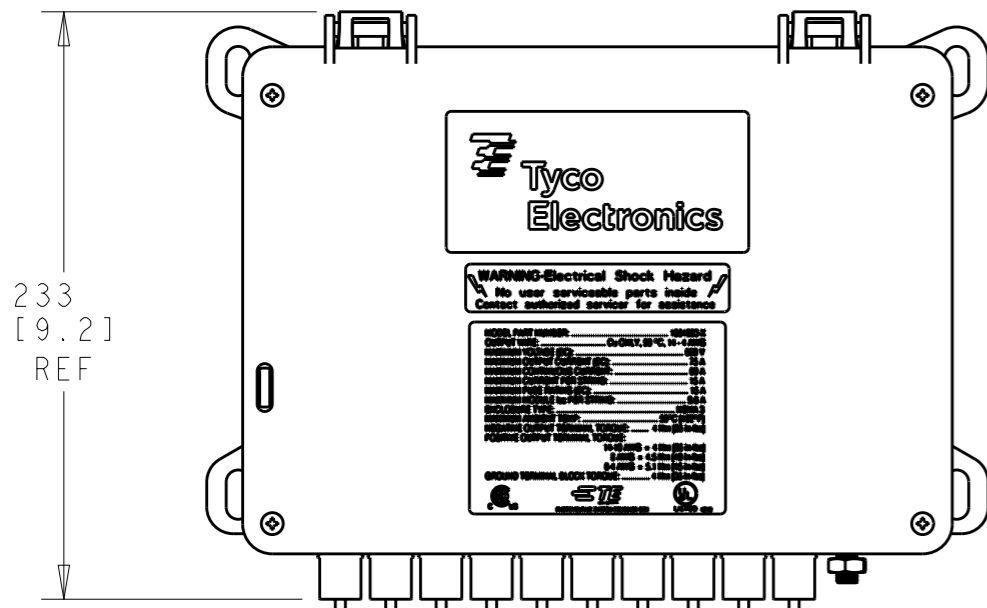


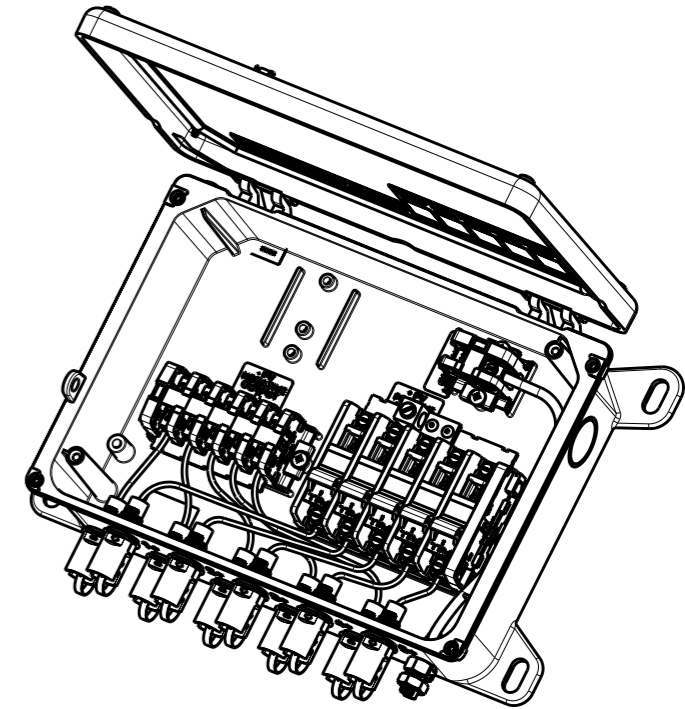
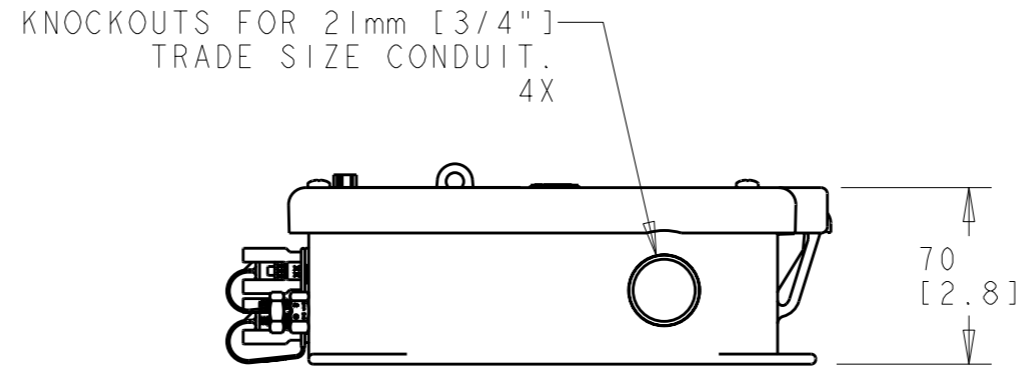
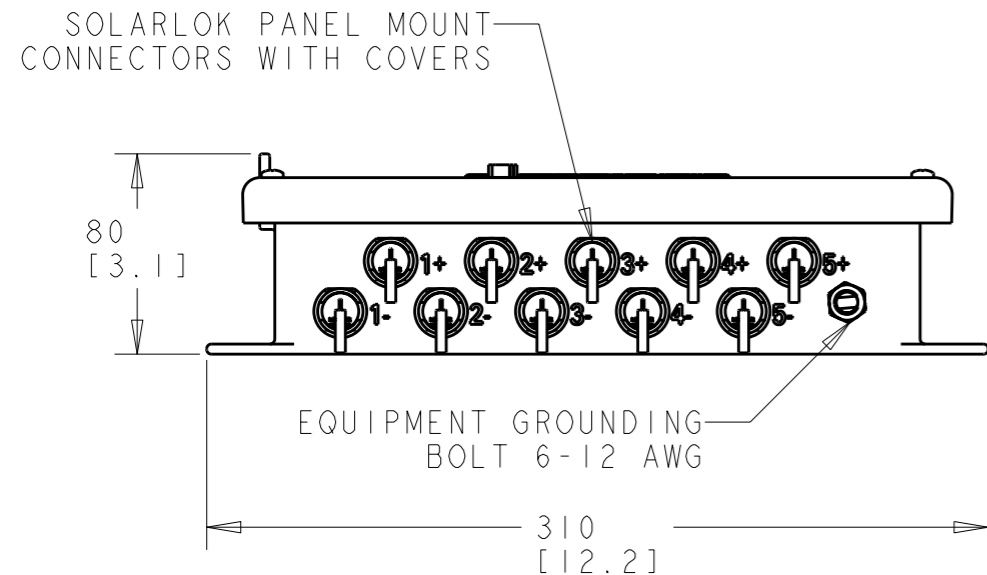
THIS DRAWING IS UNPUBLISHED. RELEASED FOR PUBLICATION 20

© COPYRIGHT 20 BY TYCO ELECTRONICS CORPORATION. ALL RIGHTS RESERVED.

LOC	DIST	REVISIONS					
		P	LTR	DESCRIPTION	DATE	DWN	APVD
-	-		G1	UPDATED PER ECO-11-013121	15JUL2011	DW	JE



1. SEE INSTRUCTION SHEET 408-10271 FOR INSTALLATION REQUIREMENTS.
2. FUSES AND MOUNTING HARDWARE NOT SUPPLIED.
3. THIS PRODUCT HAS NOT COMPLETED VALIDATION TESTING. IT HAS COMPLETED VERIFICATION TESTING AND UL LISTING (FILE E321923).
4. THE INSIDE OF THE COMBINER BOX IS NOT TO BE MODIFIED IN ANY WAY OR HAVE ADDITIONAL COMPONENTS INSTALLED (OTHER THAN THAT DESCRIBED BY THE INSTRUCTION SHEET 408-10271) AS THIS MAY VOID UL APPROVALS FOR THE COMBINER BOX.



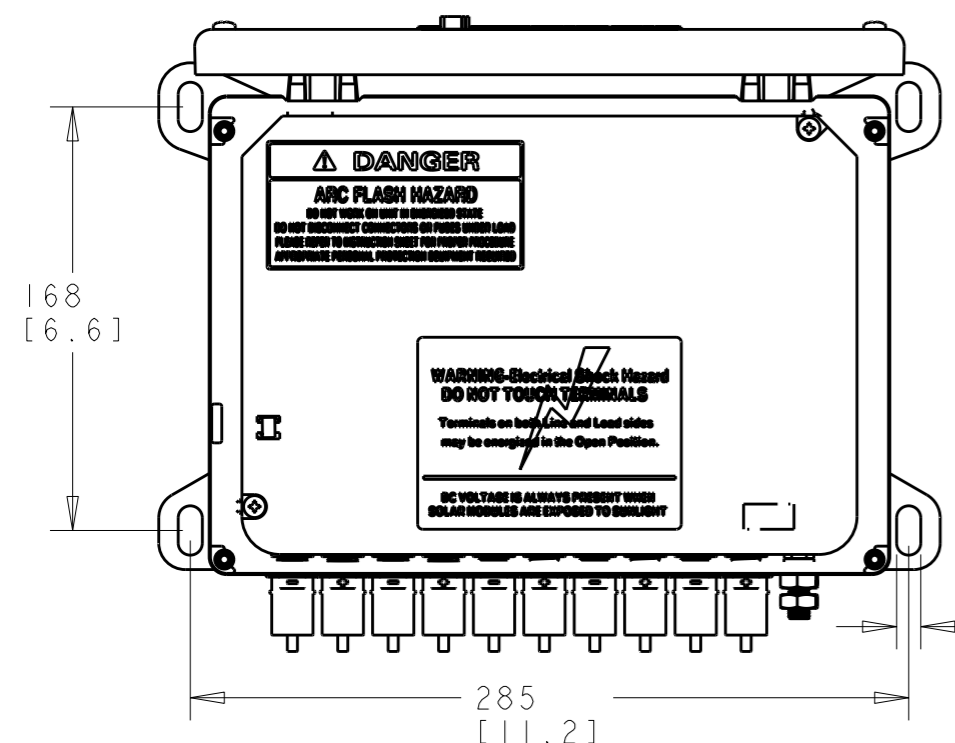
SHOWN OPEN WITH INNER COVER REMOVED.
SCALE 1:4

5-STRING	BLACK	1954283-1
DESCRIPTION	ENCLOSURE COLOR	PART NUMBER

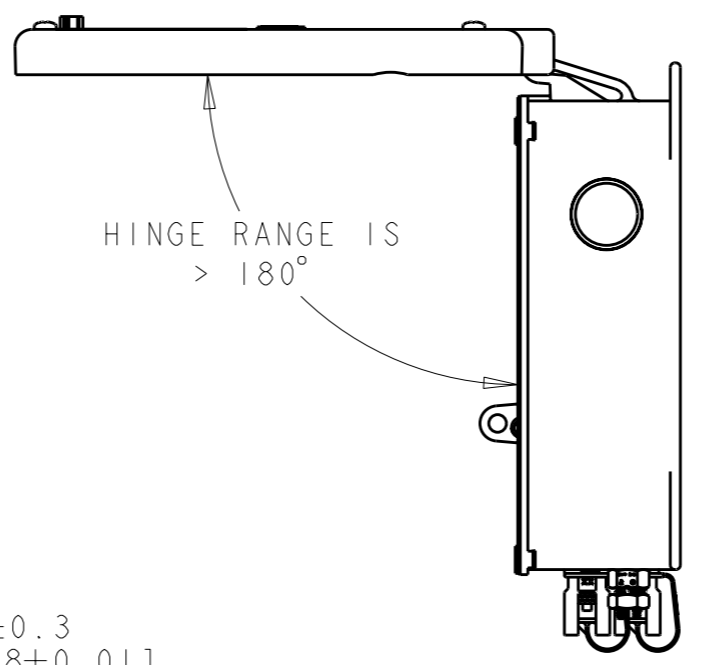
THIS DRAWING IS A CONTROLLED DOCUMENT FOR TYCO ELECTRONICS CORPORATION IT IS SUBJECT TO CHANGE AND THE CONTROLLING ENGINEERING ORGANIZATION SHOULD BE CONTACTED FOR THE LATEST REVISION.		DWN	HILT	11JUN2007	Tyco Electronics Harrisburg, PA 17105-3608				
DIMENSIONS: mm		CHK	S. DUESTERHOEFT	-		NAME	SOLAR COMBINER BOX 5 STRING		
TOLERANCES UNLESS OTHERWISE SPECIFIED: 0 PLC ±2 1 PLC ±0.5 2 PLC ± 3 PLC ± 4 PLC ± ANGLES ±5		APVD	-	-	PRODUCT SPEC	-			
MATERIAL -		FINISH	-	-	APPLICATION SPEC	-			
		WEIGHT	1.6 kg [3.5lb]	A3	SIZE	CAGE CODE	DRAWING NO	RESTRICTED TO	
		CUSTOMER DRAWING			1954283				
		SCALE	1:3	SHEET	1	OF	2	REV	G1

THIS DRAWING IS UNPUBLISHED. RELEASED FOR PUBLICATION 20
 © COPYRIGHT 20 BY TYCO ELECTRONICS CORPORATION. ALL RIGHTS RESERVED.

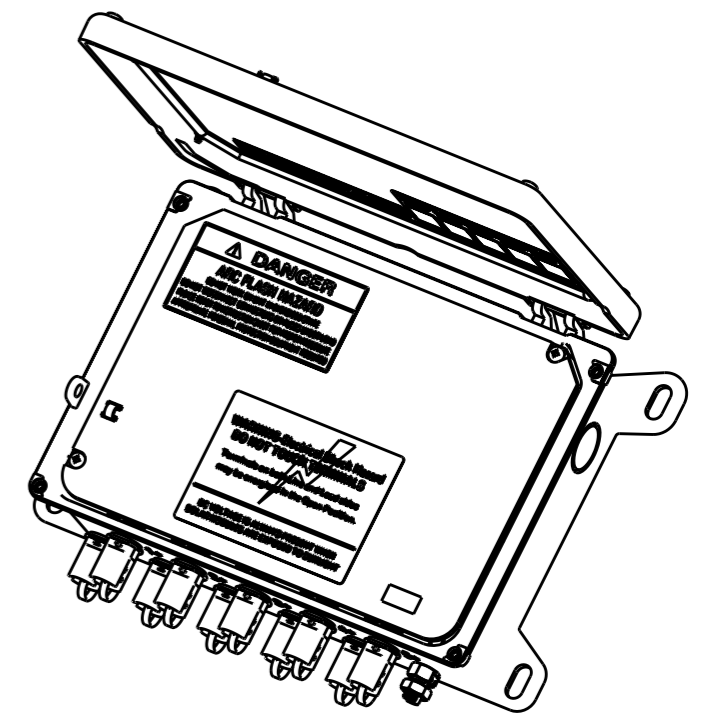
LOC	DIST	REVISIONS					
		P	LTR	DESCRIPTION	DATE	DWN	APVD
-	-	-	-	SEE SHEET 1	-	-	-



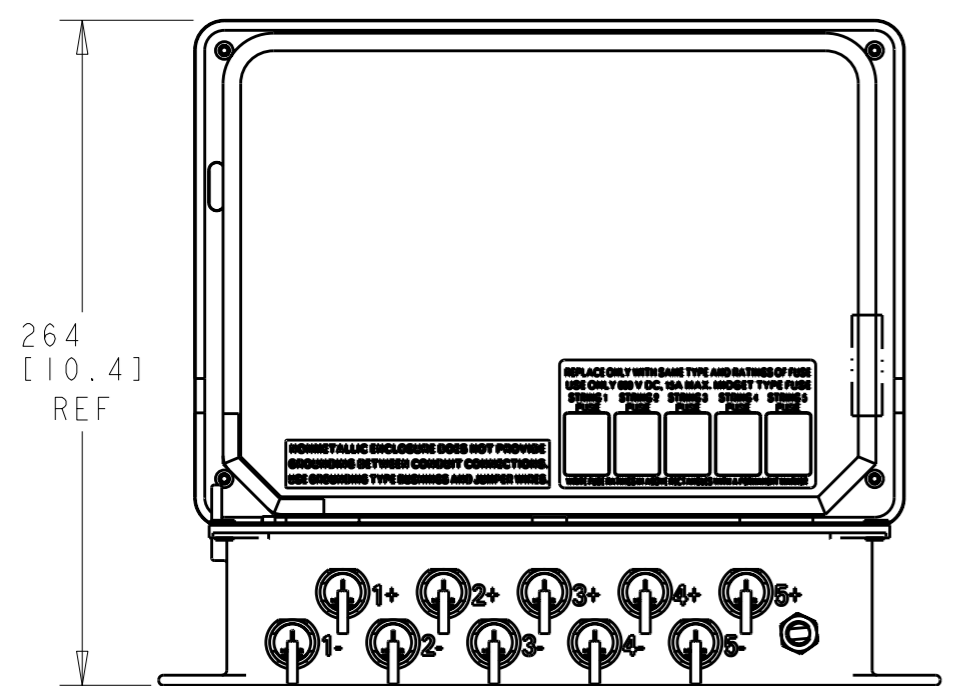
SHOWN OPEN WITH INNER COVER IN PLACE.



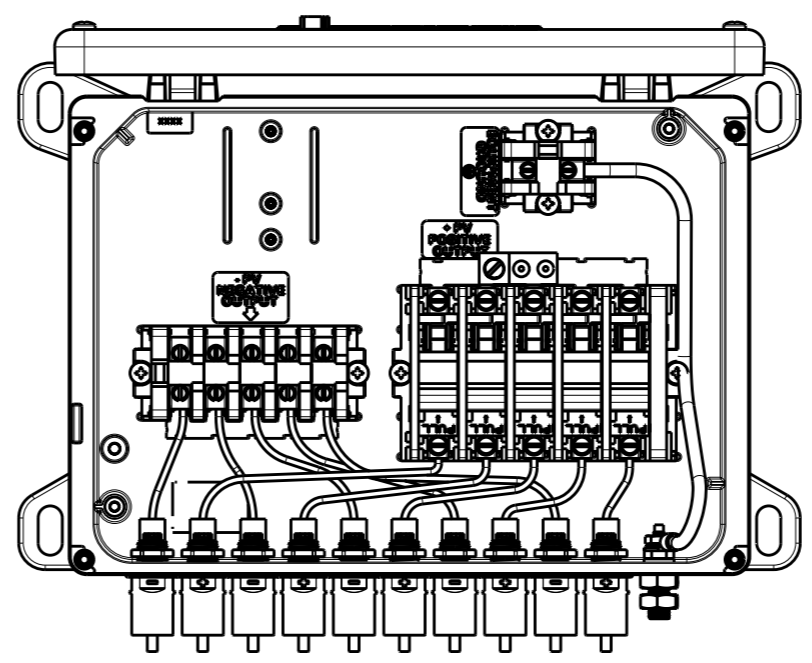
9.6±0.3 [0.38±0.01]



SCALE 1:4



264 [10.4] REF



SHOWN OPEN WITH INNER COVER REMOVED

THIS DRAWING IS A CONTROLLED DOCUMENT FOR TYCO ELECTRONICS CORPORATION. IT IS SUBJECT TO CHANGE AND THE CONTROLLING ENGINEERING ORGANIZATION SHOULD BE CONTACTED FOR THE LATEST REVISION.		DWN HILT 11JUN2007	Tyco Electronics Harrisburg, PA 17105-3608	
DIMENSIONS: mm		CHK S. DUESTERHOEFT	NAME SOLAR COMBINER BOX 5 STRING	
TOLERANCES UNLESS OTHERWISE SPECIFIED: 0 PLC ±2 1 PLC ±0.5 2 PLC ± 3 PLC ± 4 PLC ± ANGLES ±5		APVD -	SIZE CAGE CODE DRAWING NO RESTRICTED TO	
MATERIAL - FINISH -		PRODUCT SPEC -	A300779 C-1954283	
		APPLICATION SPEC -	SCALE 1:3 SHEET 2 OF 2 REV G1	
		WEIGHT 1.6 kg [3.5lb]		
		CUSTOMER DRAWING		

X-ON Electronics

Largest Supplier of Electrical and Electronic Components

Click to view similar products for [TE Connectivity](#) manufacturer:

Other Similar products are found below :

[D38999/24FJ4AN](#) [570416-000](#) [CLTEQ-M81CE-SSRELAY-4-20V](#) [4-1195131-0](#) [650069-000](#) [SMD100-2](#) [358838-000](#) [CB-1022B-78](#)
[RM707012](#) [RP410012](#) [MMS42](#) [1-640426-8](#) [2EDL4CM](#) [DTS20W19-11PD-3028-LC](#) [RM202615](#) [NC6-P104-06](#) [MSPS103B](#) [DTS26F21-41HE-LC](#) [DTS26F21-41AE](#) [DTS26F21-41PE-LC](#) [DTS26F21-11SE-3028-LC](#) [30DCB6](#) [1932144-1](#) [293545-4](#) [LVR125S](#) [MS27466T25F4PB](#)
[CKB-38-78010](#) [TR04AI-TINELLOCKRING](#) [1206SFF150F/63-2](#) [D38999/20JB35HA](#) [TE1500A2R2J](#) [D38999/20WC8BB](#) [DTS24F19-11SC-3028-LC](#) [D38999/24WG11HA](#) [D38999/24WG11HN](#) [MS27467T21F11H](#) [DJT16E21-11HA](#) [MS27467T21F35J](#) [MS27467T21F11J](#)
[MS27467T21F16H-LC](#) [MS27467T21F35H](#) [MS27467T21F41H-LC](#) [1206SFH150F/24-2](#) [RP330024](#) [DJT16E21-11PA-LC](#) [DJT16E21-11HA-LC](#) [DJT16E21-11AA](#) [MS27467T21B11JA](#) [DJT16E21-11JA](#) [MS27467T21B11JA-LC](#)