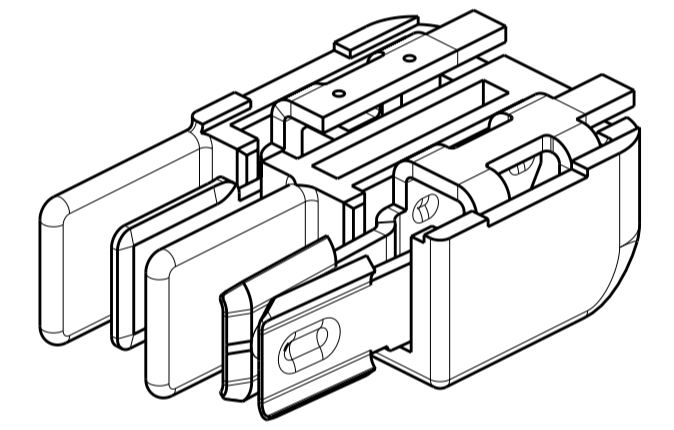
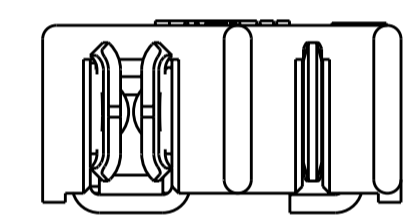
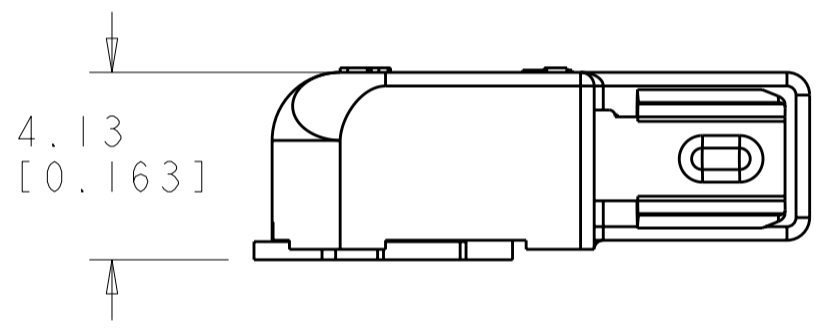
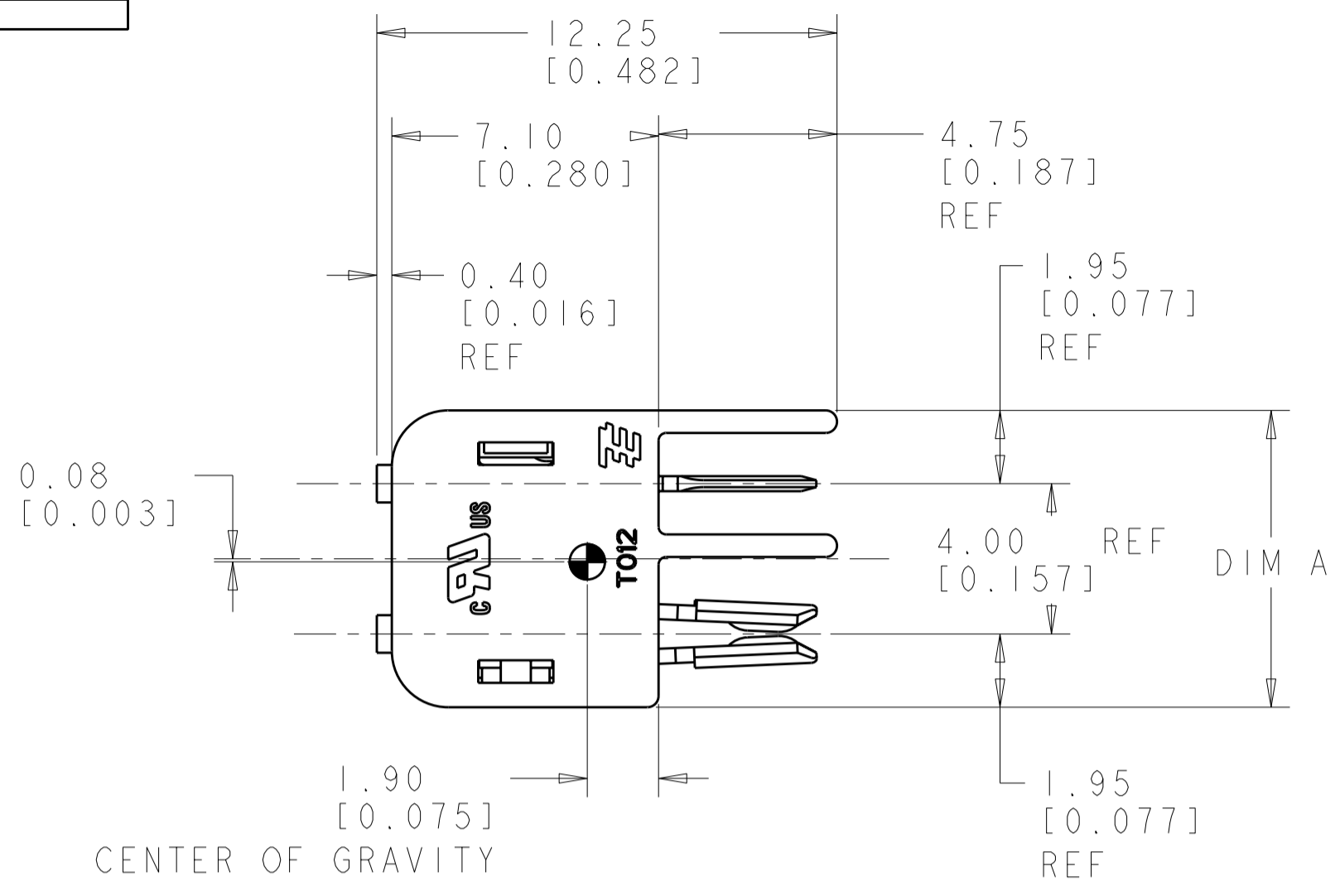


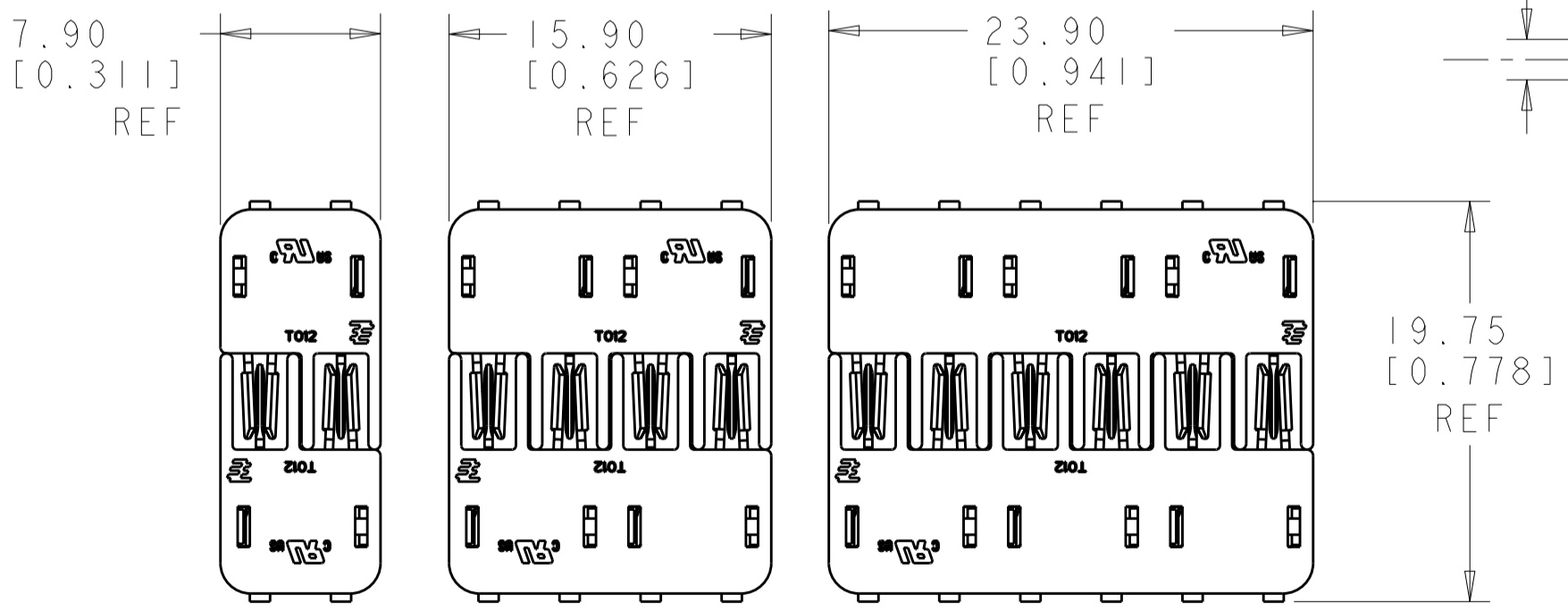
THIS DRAWING IS UNPUBLISHED. RELEASED FOR PUBLICATION 20  
 © COPYRIGHT 20 BY - ALL RIGHTS RESERVED.

REVISIONS					
P	LTR	DESCRIPTION	DATE	DWN	APVD
B1		REVISED PER ECO-11-004587	11MAR2011	RK	HMR
B2		REVISED PER ECR-11-015304	29JUL2011	RK	DD

NOTES:  
 1 MATERIALS AND FINISH  
 - HOUSING: LCP  
 - CONTACTS: COPPER ALLOY,  
 FINISH: TIN  
 2 PRODUCT TO COMPLY WITH  
 DIRECTIVE 2002/95/EC (ROHS)  
 3 PACKAGED IN TAPE AND REEL  
 PER EIA-481 SPECIFICATIONS



1954289-1/  
 1-1954289-1  
 SHOWN



1954289-1/ 1954289-2/  
 1-1954289-1 1-1954289-2  
 SCALE 3:1 SCALE 3:1  
 1954289-3/  
 1-1954289-3  
 SCALE 3:1

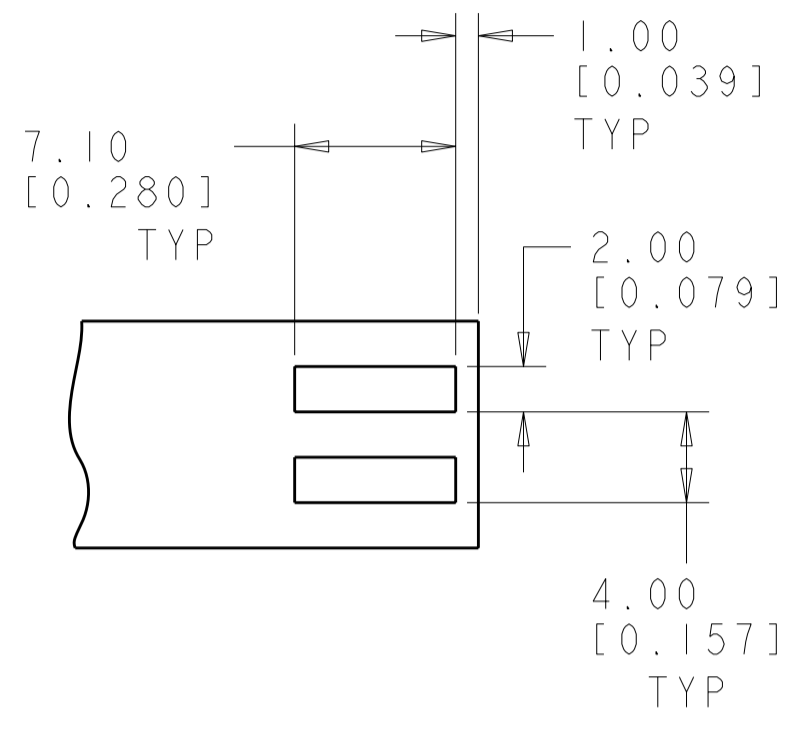
MATED PAIRS SHOWN FOR REFERENCE

6	BLACK	23.90	1-1954289-3
4	BLACK	15.90	1-1954289-2
2	BLACK	7.90	1-1954289-1
6	NATURAL	23.90	1954289-3
4	NATURAL	15.90	1954289-2
2	NATURAL	7.90	1954289-1
POSITION	COLOR	DIM A	PART NO.

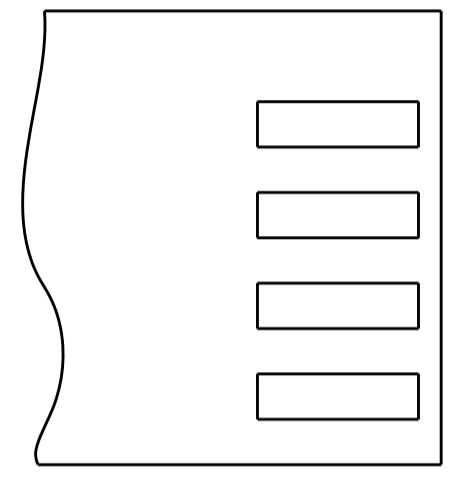
THIS DRAWING IS A CONTROLLED DOCUMENT.		DWN RAGHU 18DEC2006	<b>STE</b> TE Connectivity		
		CHK S. HORST 17APR2007			
DIMENSIONS: mm		TOLERANCES UNLESS OTHERWISE SPECIFIED:		NAME CONNECTOR ASSEMBLY, HERMAPHRODITIC BLADE AND RECEPTACLE	
0 PLC ±-		1 PLC ±-		APVD -	
2 PLC ±0.13		3 PLC ±0.013		PRODUCT SPEC 108-2342	
4 PLC ±-		ANGLES ±°		APPLICATION SPEC 114-13225	
FINISH		MATERIAL		SIZE CAGE CODE DRAWING NO	
CUSTOMER DRAWING		WEIGHT -		A200779C-1954289	
SCALE 3:1		SHEET 1 OF 2		RESTRICTED TO -	
				REV B2	

THIS DRAWING IS UNPUBLISHED. RELEASED FOR PUBLICATION 20  
 © COPYRIGHT 20 BY - ALL RIGHTS RESERVED.

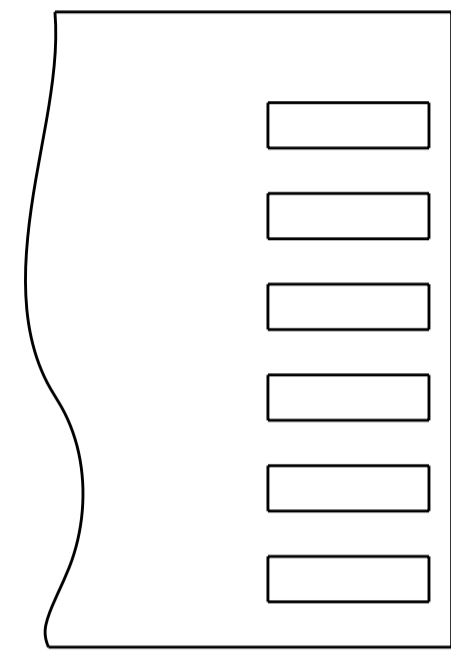
LOC		DIST		REVISIONS			
P	LTR	DESCRIPTION	DATE	DWN	APVD		
-	-	SEE SHEET 1	-	-	-		



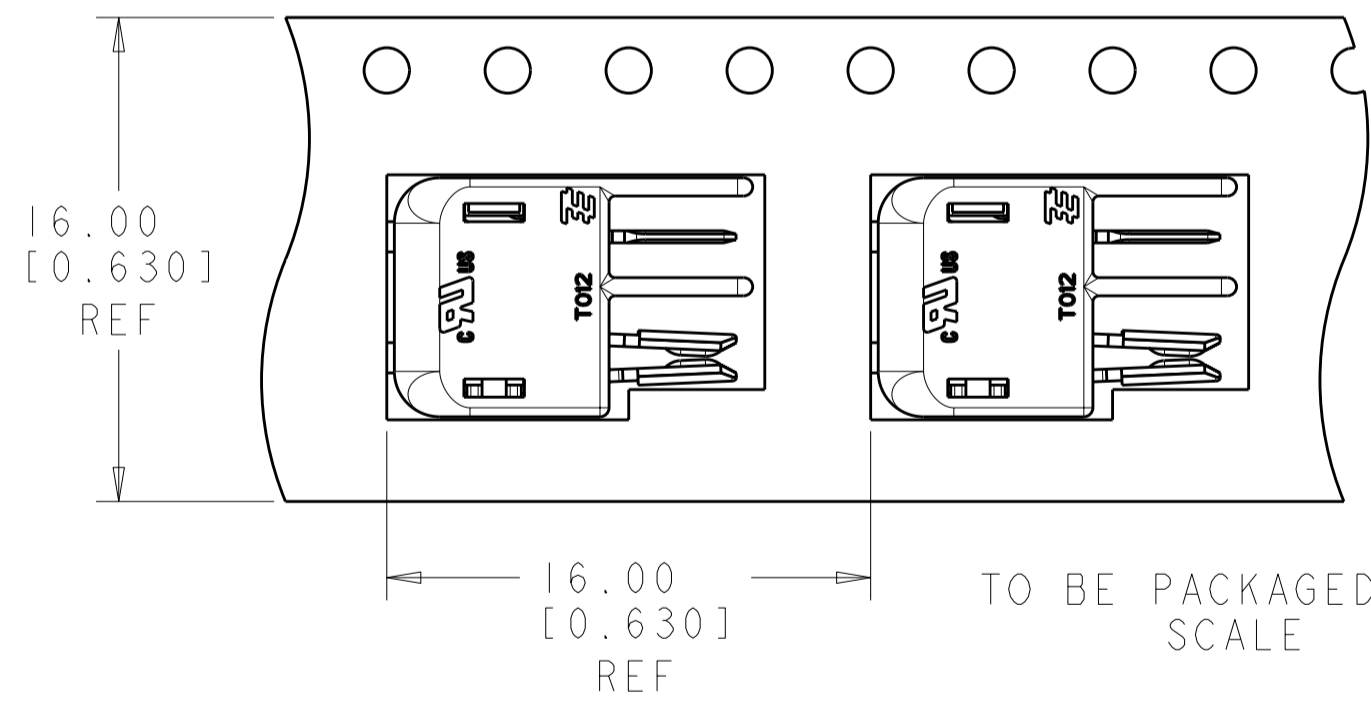
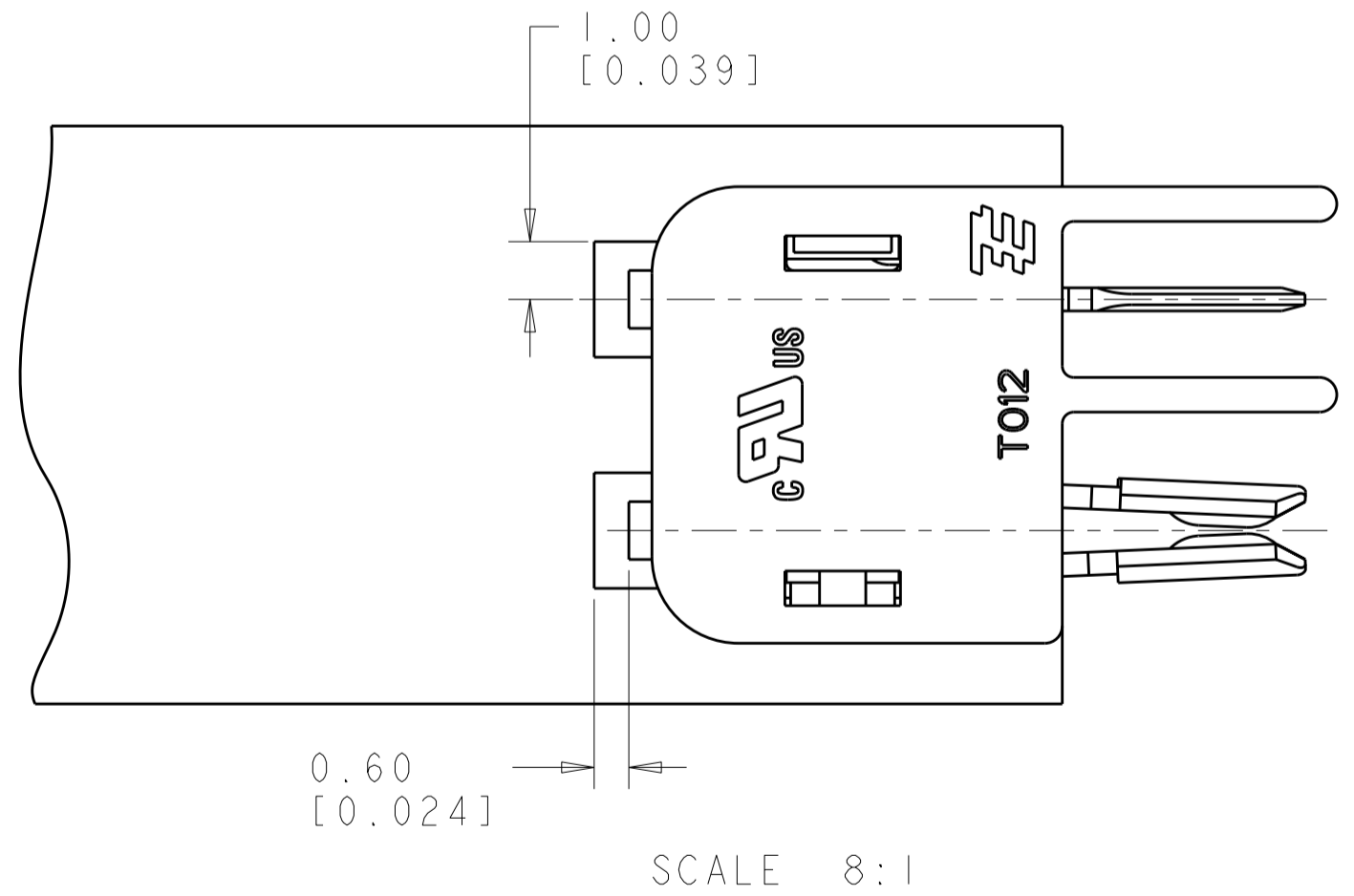
RECOMMENDED PCB LAYOUT FOR 1954289-1 & 1-1954289-1



RECOMMENDED PCB LAYOUT FOR 1954289-2 & 1-1954289-2



RECOMMENDED PCB LAYOUT FOR 1954289-3 & 1-1954289-3



THIS DRAWING IS A CONTROLLED DOCUMENT.		DWN RAGHU 18DEC2006	TE Connectivity	
		CHK S_HORST 17APR2007		
DIMENSIONS: mm		TOLERANCES UNLESS OTHERWISE SPECIFIED:		NAME
		0 PLC ± 1 PLC ± 2 PLC ±0.13 3 PLC ±0.013 4 PLC ± ANGLES ±° FINISH		CONNECTOR ASSEMBLY, HERMAPHRODITIC BLADE AND RECEPTACLE
MATERIAL		PRODUCT SPEC 108-2342 APPLICATION SPEC 114-13225 WEIGHT -		SIZE CAGE CODE DRAWING NO RESTRICTED TO A200779 C-1954289 -
		CUSTOMER DRAWING		SCALE 3:1 SHEET 2 OF 2 REV B2

## X-ON Electronics

Largest Supplier of Electrical and Electronic Components

*Click to view similar products for [Lighting Connectors](#) category:*

*Click to view products by [TE Connectivity](#) manufacturer:*

Other Similar products are found below :

[293300-7](#) [293660-5](#) [CNX\\_H03\\_NTP](#) [30-9767-BU](#) [3605](#) [3-21030-1](#) [ZCH-110-RGB-I](#) [503471-0290](#) [ZCH-110-RGB-J](#) [217-0716-200](#)  
[1954563-1](#) [1-293657-2](#) [2834036-1](#) [2834037-1](#) [1-2213222-4](#) [2-2213222-4](#) [2213222-4](#) [2834122-3](#) [2834122-5](#) [2834135-2](#) [FLA-R4142-30](#)  
[FLA-R4162-30](#) [FLA-R2142-30](#) [FLA-R2141-30](#) [FLA-R2162-30](#) [FLA-R2161-30](#) [FLA-R0161-30](#) [FLA-R0141-30](#) [FLA-R0142-30](#) [FLA-](#)  
[R0162-30](#) [FLA-C00-00](#) [DGA00010553](#) [CNXV04NTP](#) [104128-0610](#) [503485-0000 \(Cut Strip\)](#) [503485-0000 \(Loose Piece\)](#) [503485-0000](#)  
[\(MINI Reel\)](#) [1-2834074-2](#) [1-2834074-3](#) [1357-AC PLUG W2C \(CHINA\)](#) [1357-AC PLUG W2 \(USA\)](#) [104266-0110](#) [2106212-1](#) [2-2834074-2](#)  
[104266-0210](#) [293470-1](#) [293651-2](#) [293651-4](#) [1-2834006-2](#) [293651-1](#)