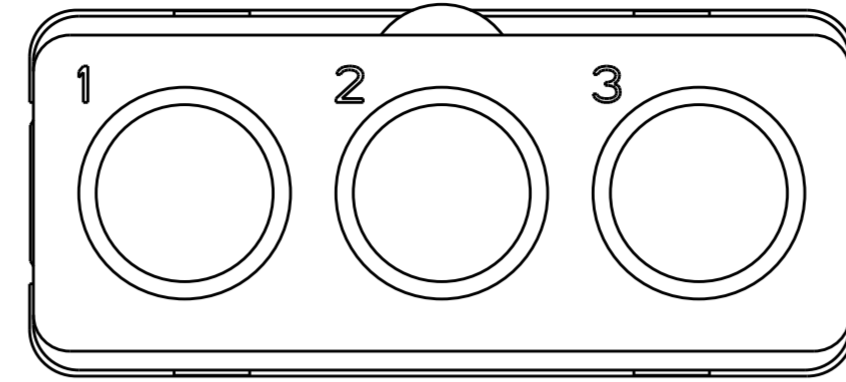
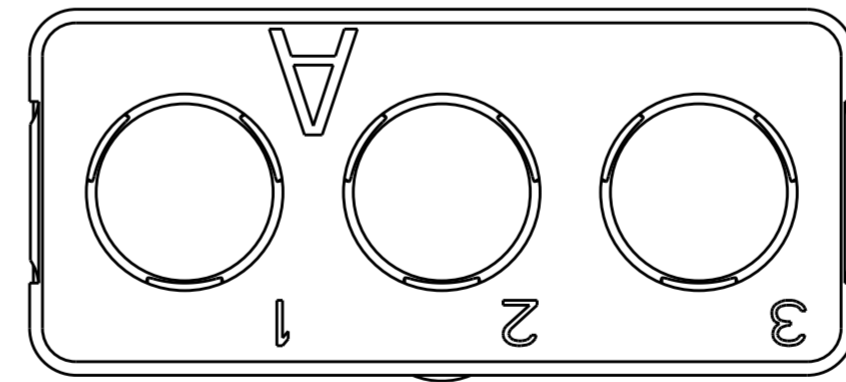
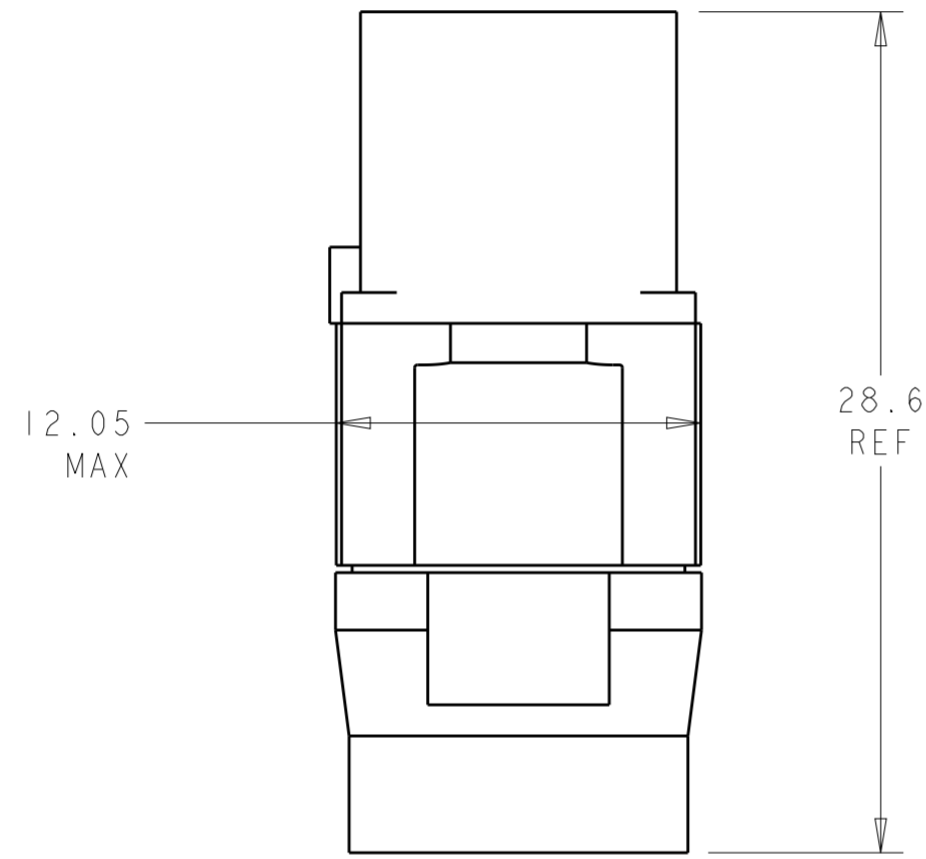
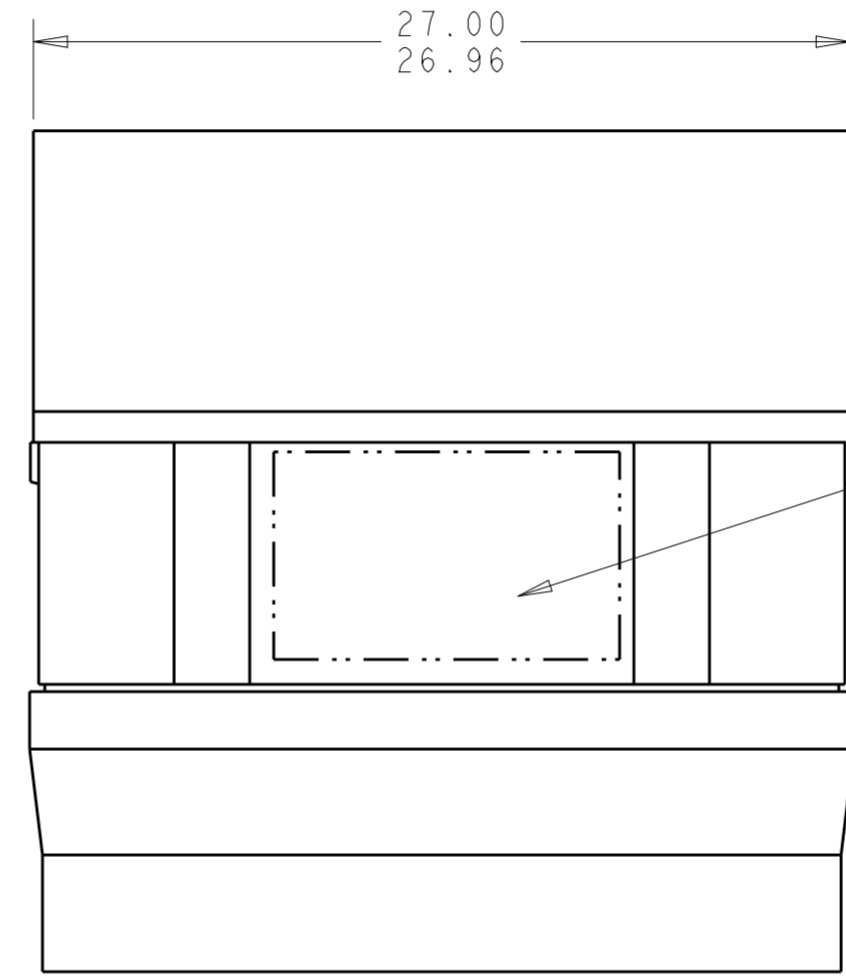


THIS DRAWING IS UNPUBLISHED. RELEASED FOR PUBLICATION
 © COPYRIGHT - BY - ALL RIGHTS RESERVED.

REVISIONS							
LOC	DIST	P	LTR	DESCRIPTION	DATE	DWN	APVD
-	-	A		RELEASED PER ECO 13-008999	5-29-13	CT	KH



MATING FACE



1 FRONT & REAR INSULATOR: HIGH-TEMP THERMOPLASTIC OR THERMOSET EPOXY PER ASTM D5948.
 CONTACT RETENTION CLIPS: STAINLESS STEEL PER AISI 302 OR COPPER ALLOY PER ASTM B194
 REAR GROMMET: FLUOROSILICONE ELASTOMER PER MIL-R-25988 B EXCEPT 4.6.6.1

2 DATE CODE: YEAR & WEEK (YY WW)

3 THE PART NUMBER MAY BE MARKED EITHER ON THE REAR INSULATOR OR GROMMET.

4. DESCRIPTIVE PART NUMBER: GPRBEP3SA
 THIS INSERT CONTAINS 3 CAVITIES FOR GPR SIZE 5 SOCKET CONTACTS, 1954722-1.

5. THIS PRODUCT IS SOLD BY TE CONNECTIVITY UNDER A LICENSE FROM RADIALL SA.

1954327-1
 PART NUMBER

THIS DRAWING IS A CONTROLLED DOCUMENT.		DWN BH 5 JAN 07	TE Connectivity	
DIMENSIONS: mm		CHK JPM 5 JAN 07		
TOLERANCES UNLESS OTHERWISE SPECIFIED:		APVD JPM 5 JAN 07		
0 PLC ± 1 PLC ± 2 PLC ± 3 PLC ± 4 PLC ± ANGLES ± FINISH		NAME		
MATERIAL		PRODUCT SPEC	INSERT ASSEMBLY, SOCKET, FOR POWER CONTACTS, ENVIRONMENTAL, ARRANGEMENT P3, KEY A, GPRB	
		APPLICATION SPEC	SIZE	CAGE CODE
		WEIGHT	A200779	DRAWING NO
CUSTOMER DRAWING		SCALE 4:1	C-1954327	RESTRICTED TO
		SHEET 1 OF 1	REV A	

X-ON Electronics

Largest Supplier of Electrical and Electronic Components

Click to view similar products for [Rack & Panel Connectors](#) category:

Click to view products by [TE Connectivity](#) manufacturer:

Other Similar products are found below :

[00170420102](#) [00171420202](#) [00171440002](#) [008026165000265](#) [02-014-013-5200-000](#) [613467-000](#) [CTJ112E01E-513](#) [CTJ116E03A-513](#)
[M81714/63-22S L/C](#) [M81714/65-12-1](#) [66020-2](#) [CW8958-000](#) [699886-000](#) [D250-50632](#) [70.400.3240.0](#) [70.955.2453.3](#) [733753-000](#) [F22831-000](#) [780-522-DPX34RG8-02](#) [MMA25-0341D1](#) [8660-501](#) [87.060.0053.0](#) [900709N001](#) [QRP4-12P-C\(01\)](#) [QR/P6-6S-C\(01\)](#) [1218600-1](#) [D-659-0061](#) [DMC-MD 24 C-T](#) [1-445717-6](#) [1484398-2](#) [1484399-2](#) [1484469-2](#) [MR-34MG](#) [1604997-2](#) [1663130-1](#) [1663767-7](#) [1663767-8](#) [MTC100-BF1-P31CS015](#) [MTC100-KT2-0083](#) [MTC100-KT2-0123-003](#) [MTC100-YA1-005](#) [MTCB1X-105-XXX](#) [MTCQKT1R2PGCA](#) [MTCR-103-04S](#) [MTCX1X-100-100CS025](#) [1738331-1](#) [1757667-1](#) [1883433-1](#) [1996636-1](#) [201784-4](#)