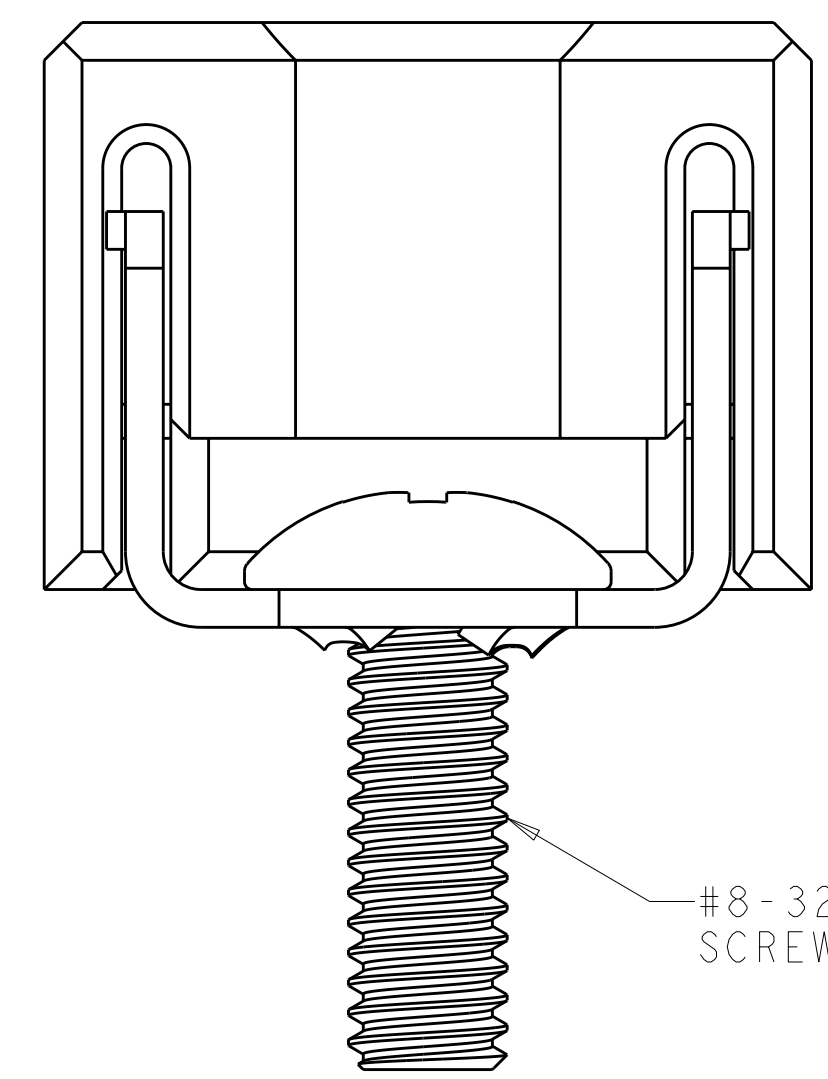
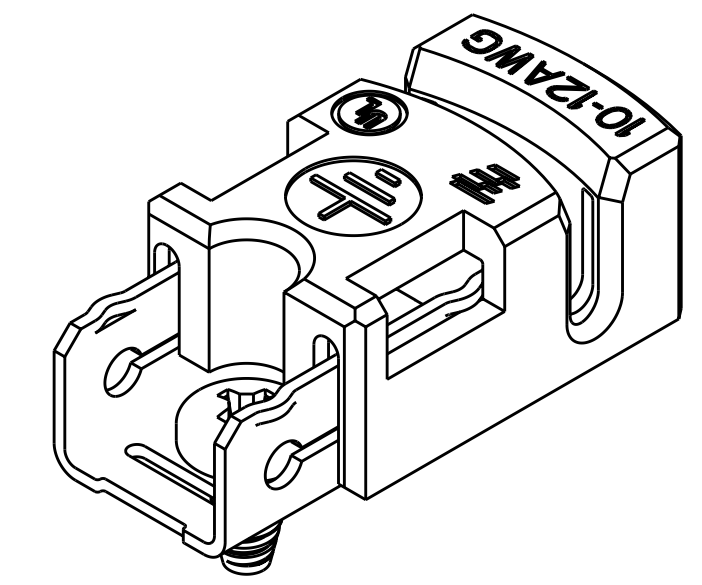
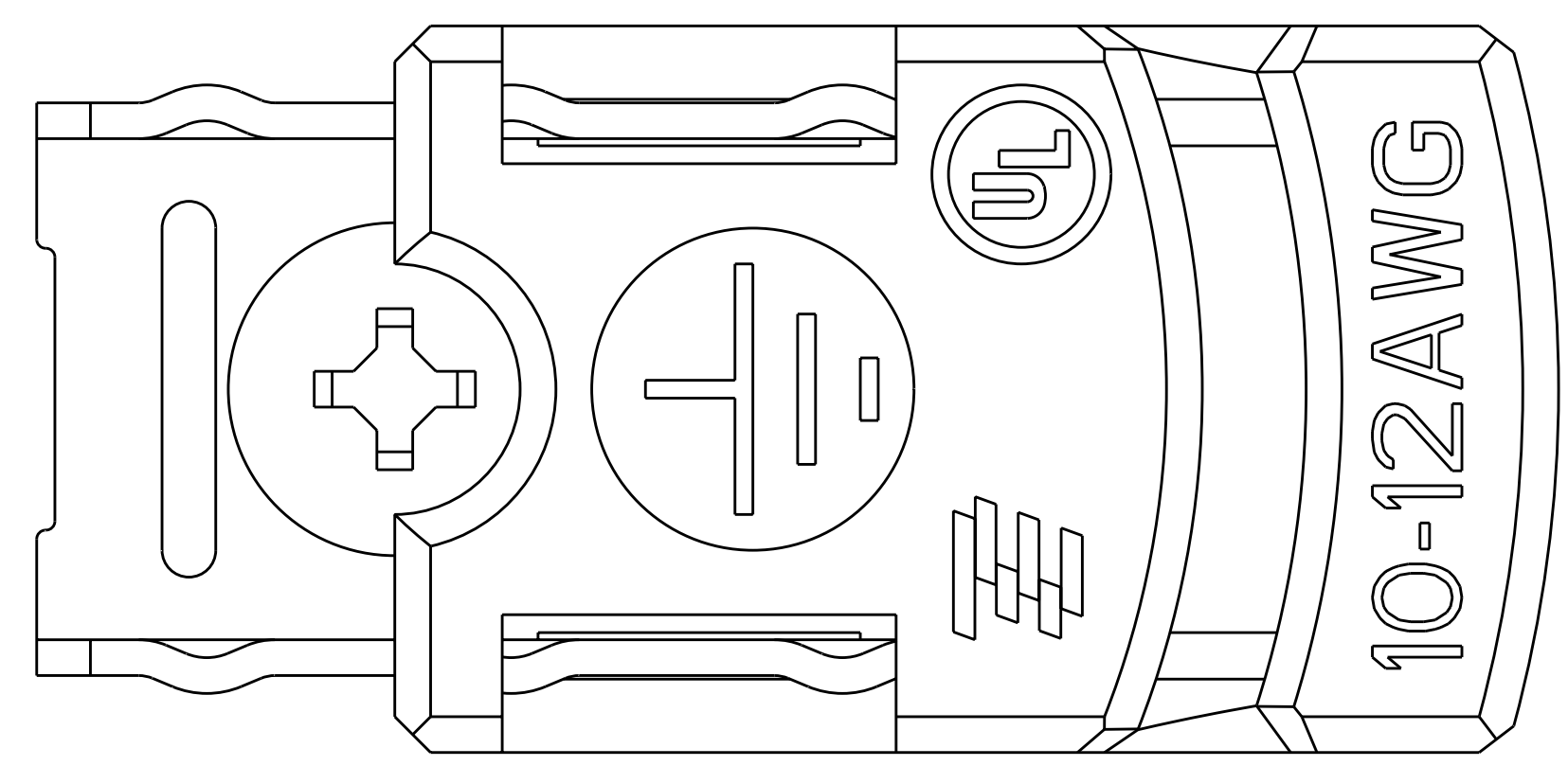
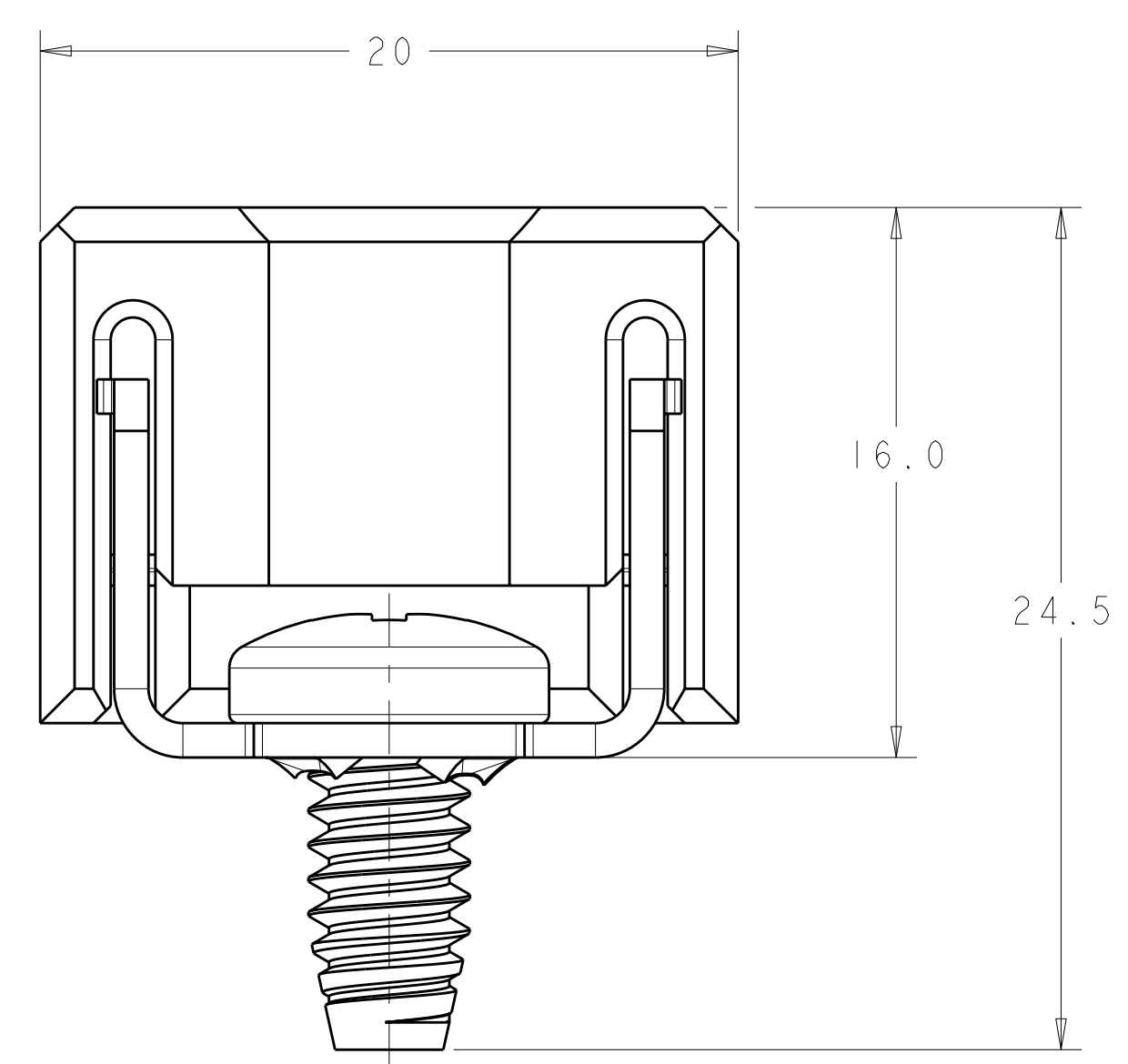


LOC	DIST	REV	DESCRIPTION	DATE	DWN	APVD
FT	0	D5	EDITED NOTES PER ECO-11-013836	15JUL2011	DW	JE

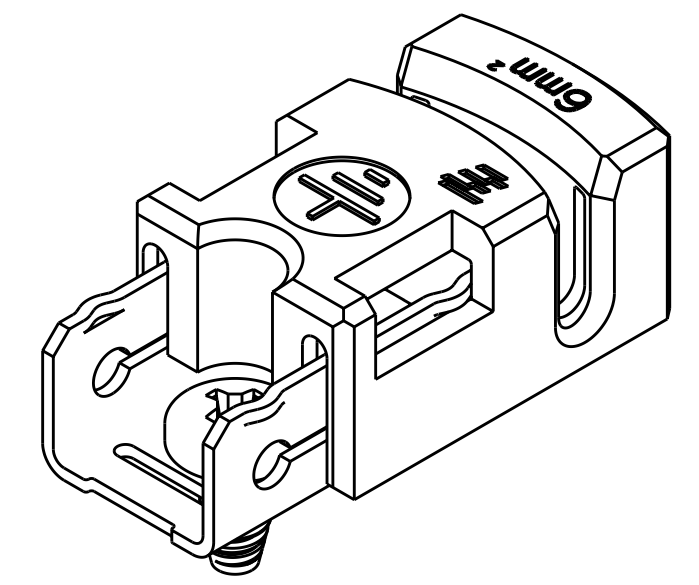


#8-32 PAN HEAD SCREW

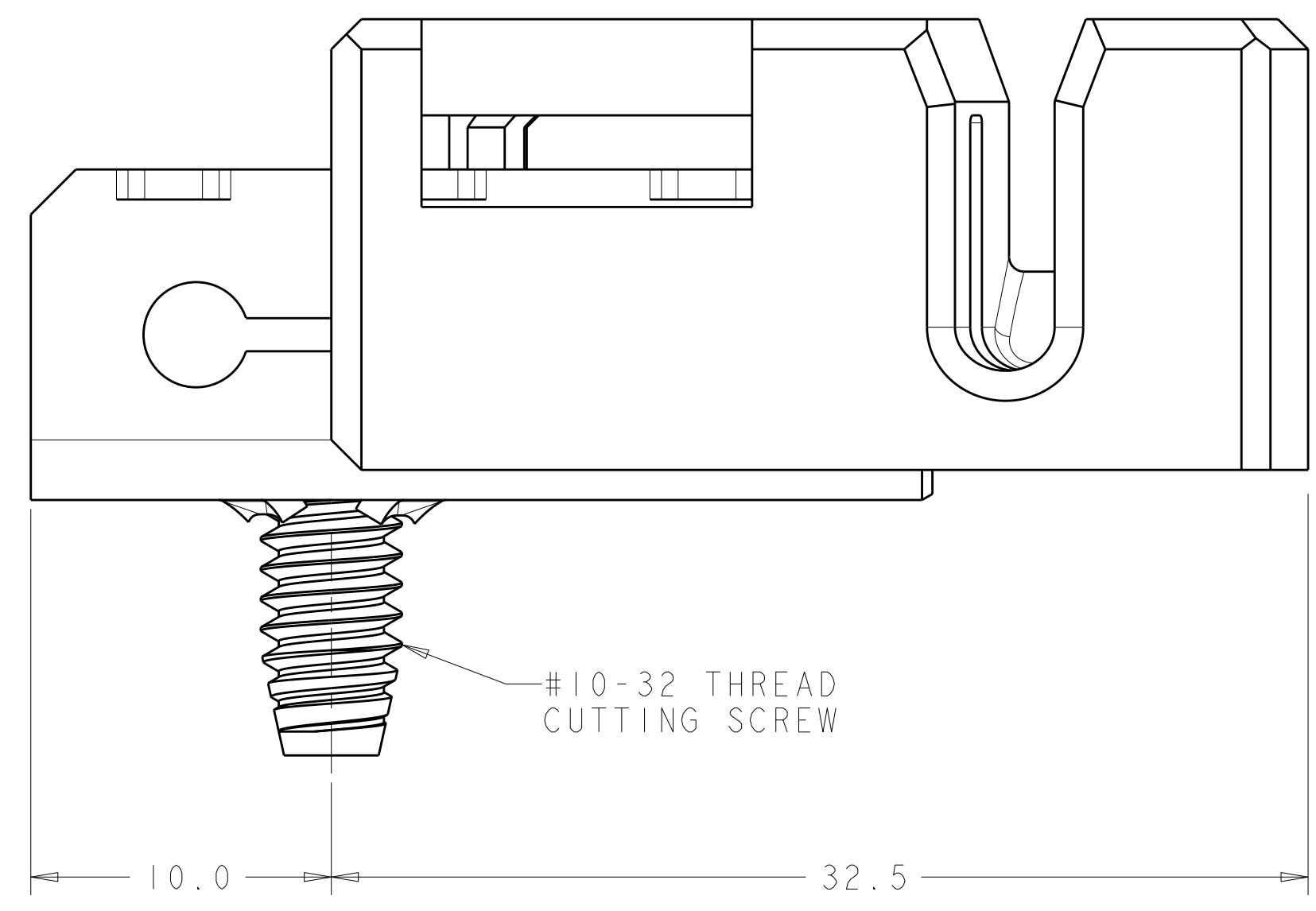
1954381-2 & -3



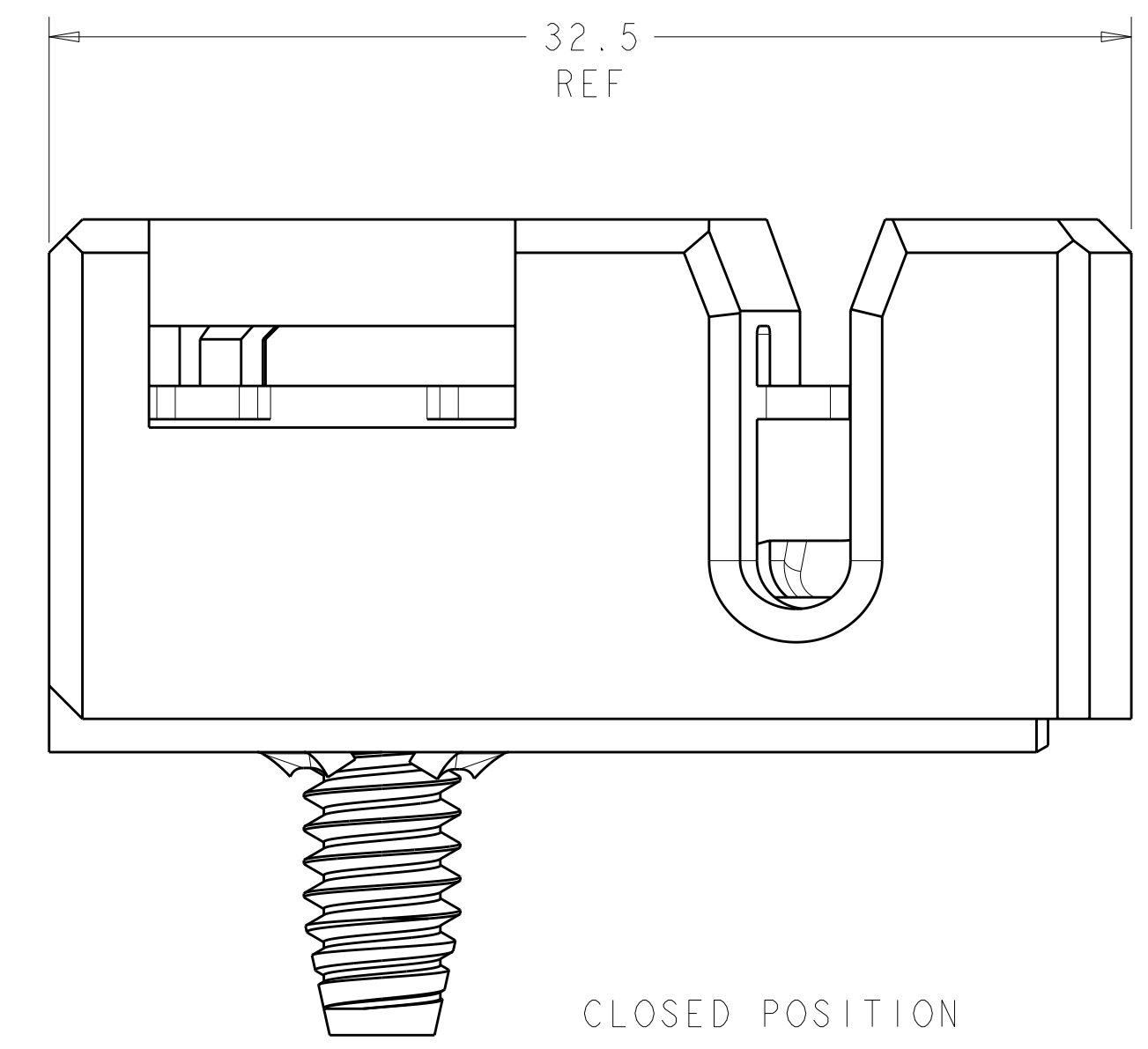
SCALE 2:1



SCALE 2:1  
1954381-5 ONLY



#10-32 THREAD CUTTING SCREW



CLOSED POSITION

△ MATERIALS AND FINISH:  
 SLIDER: PBT, UV F1 RATING, BLACK, 94V5  
 BASE: PHOSPHOR BRONZE; FINISH: Sn OVER Ni  
 MOUNTING HARDWARE: STAINLESS STEEL EXCEPT #8-32 HEX NUT WHICH IS CARBON STEEL

2. COMPLIES WITH DIRECTIVE 2002/95/EC (ROHS)
3. PATENTED.

△ NUTS ARE PACKAGED SEPERATELY IN A BAG.

NONE	NONE	6mm <sup>2</sup> AND 4mm <sup>2</sup>	1954381-6
NONE	#10-32 THREAD CUTTING .375LG	6mm <sup>2</sup> AND 4mm <sup>2</sup>	1954381-5
△ NUT WITH LOCKWASHER	#10-32 PAN HEAD .625LG	10-12 AWG, 4mm <sup>2</sup>	1954381-4
△ NUT WITH LOCKWASHER	#8 PAN HEAD .500LG	10-12 AWG, 4mm <sup>2</sup>	1954381-3
△ HEX NUT	#8-32 PAN HEAD .500LG	10-12 AWG, 4mm <sup>2</sup>	1954381-2
NONE	#10-32 THREAD CUTTING .375LG	10-12 AWG, 4mm <sup>2</sup>	1954381-1
NUT	SCREW	WIRE SIZE	PART NUMBER

THIS DRAWING IS A CONTROLLED DOCUMENT.		DRN MOHAN 31OCT2006	TE Connectivity
DIMENSIONS: mm		CHK S. DUESTERHOFF 01NOV2006	
TOLERANCES UNLESS OTHERWISE SPECIFIED:		APVD M. STROCKEWAAL 01JUN2007	NAME
0 PLC ±.10	1 PLC ±.10	PRODUCT SPEC	GROUNDING CLIP ASSEMBLY
2 PLC ±.10	3 PLC ±.10	APPLICATION SPEC	SOLID WIRE
4 PLC ±.10	ANGLES ±°	WEIGHT	SIZE CAGE CODE DRAWING NO
MATERIAL	FINISH	CUSTOMER DRAWING	A100779C=1954381
		SCALE 5:1	SHEET 1 OF 1
		REV D5	

## X-ON Electronics

Largest Supplier of Electrical and Electronic Components

*Click to view similar products for [Solar Connectors / Photovoltaic Connectors](#) category:*

*Click to view products by [TE Connectivity](#) manufacturer:*

Other Similar products are found below :

[1740699-7](#) [1971861-4](#) [1971131-4](#) [1971858-3](#) [1971861-3](#) [PV-090508-M10](#) [PV-CM-S 2 5-6 \(-\)](#) [2270184-3](#) [2270154-2](#) [2270226-4](#) [PV-090508-M06-N](#) [1987558-2](#) [PV-090506-F03](#) [UTXPM](#) [UTXPF](#) [UTXCMB6AM](#) [1627092](#) [1017635](#) [1017636](#) [1-2306314-1](#) [1-2306314-2](#) [1302440201](#) [1303450000](#) [PV-STICK+](#) [VPE10](#) [2-1971862-2](#) [H4CMC6DM](#) [1705996](#) [1705995](#) [1971858-2](#) [5-2306317-2](#) [1704926](#) [H4CFC4DIS](#) [H4CMC4DC](#) [H4CFC4DC](#) [H4CMC4DM](#) [H4CFC4DM](#) [H4CFC6DM](#) [H4CFM2DI](#) [H4CFM6DI](#) [H4CMC2DI](#) [H4CMC8DM](#) [H4CMM6DI](#) [H4CMC4DMS](#) [H4CMC4DIS](#) [H4PF](#) [H4PM](#) [HGLUI](#) [PWJ-03BMMB-LL8001](#) [UTXCFA0AM](#) [UTXCFA4BMH](#) [UTXCMA0AM](#)