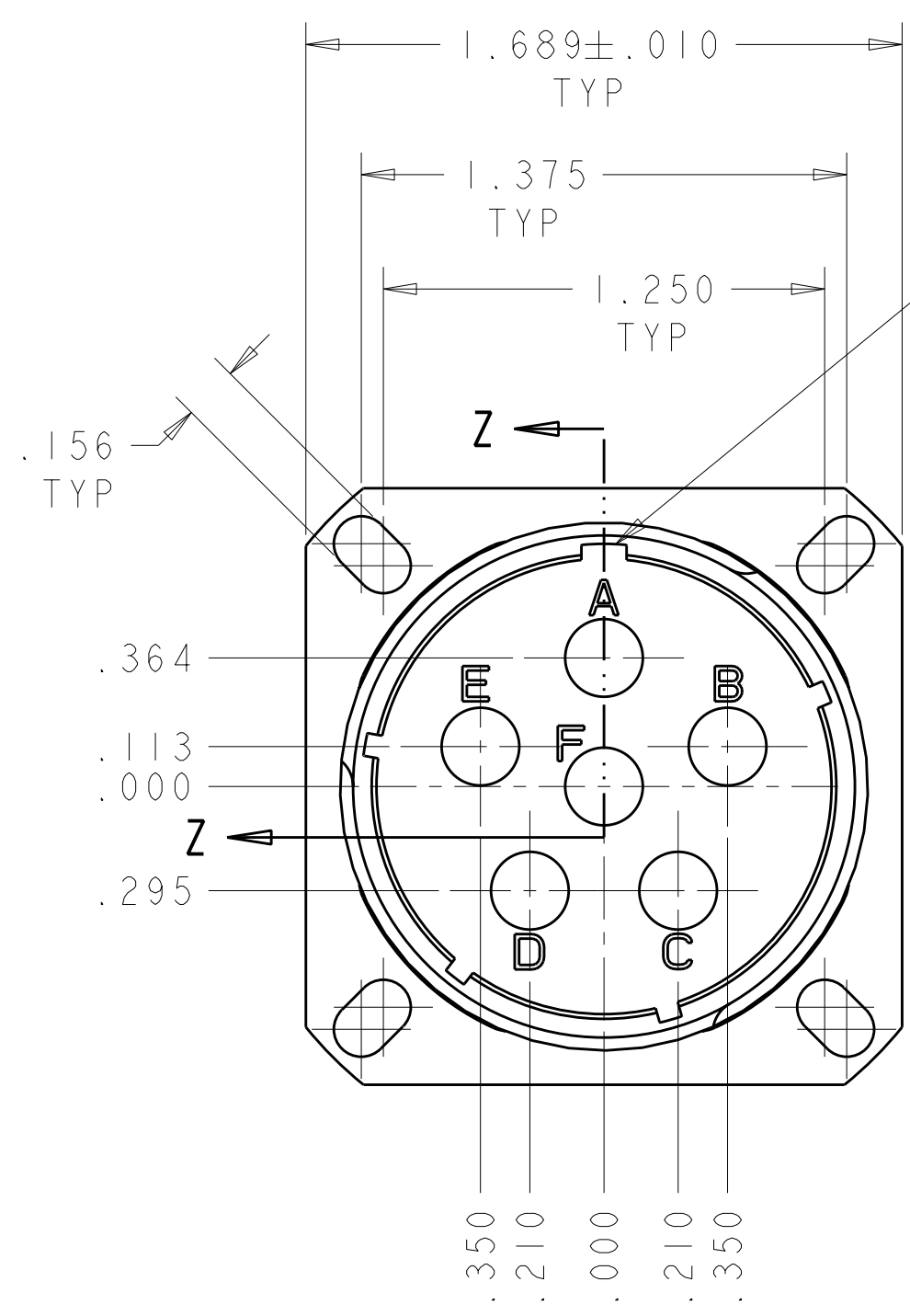


THIS DRAWING IS UNPUBLISHED. RELEASED FOR PUBLICATION 20
 © COPYRIGHT 20 BY TYCO ELECTRONICS CORPORATION. ALL RIGHTS RESERVED.

LOC	DIST	REVISIONS					
DF	A5	P	LTR	DESCRIPTION	DATE	DWN	APVD
		B		REVISED PER ECO-08-029679	22DEC2008	SK	DM

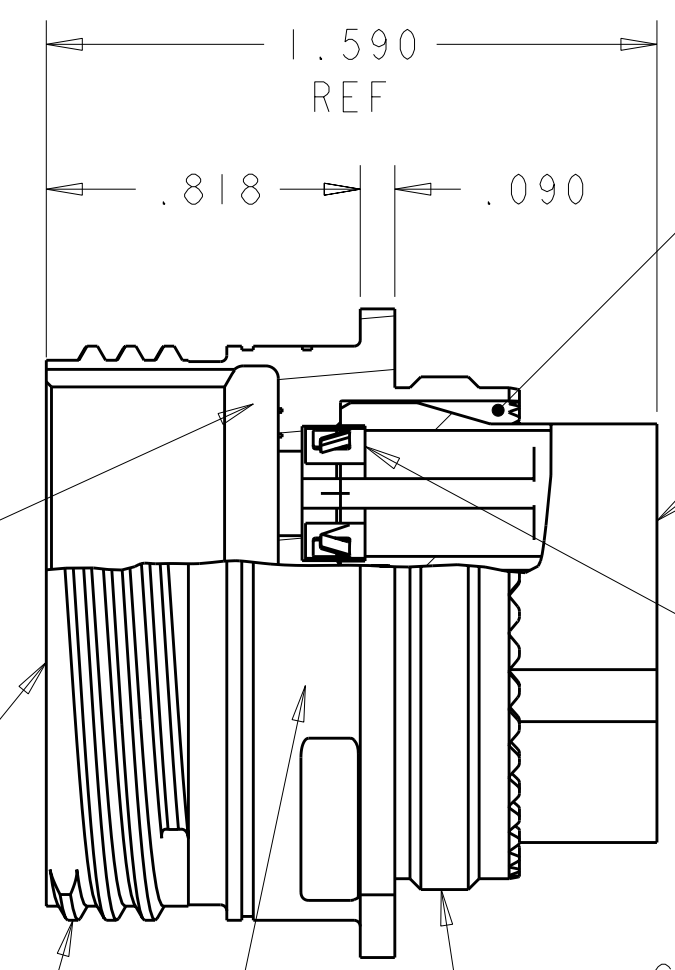


MASTER KEYWAY
 KEYWAY ARRANGEMENT SHOWN
 FOR ARRANGEMENT "N"
 PER MIL-DTL-38999K

PERIPHERAL GASKET
 MATERIAL: SILICONE RUBBER
 COLOR: RED

RECEPTACLE SHELL
 MATERIAL: ALUMINUM ALLOY
 FINISH: SEE TABLE

1.500 0.1P-0.3L-TS-2A
 MODIFIED 60° STUB ACME
 TRIPLE START THREAD



RTV SEALANT
 (MIL-A-46146)

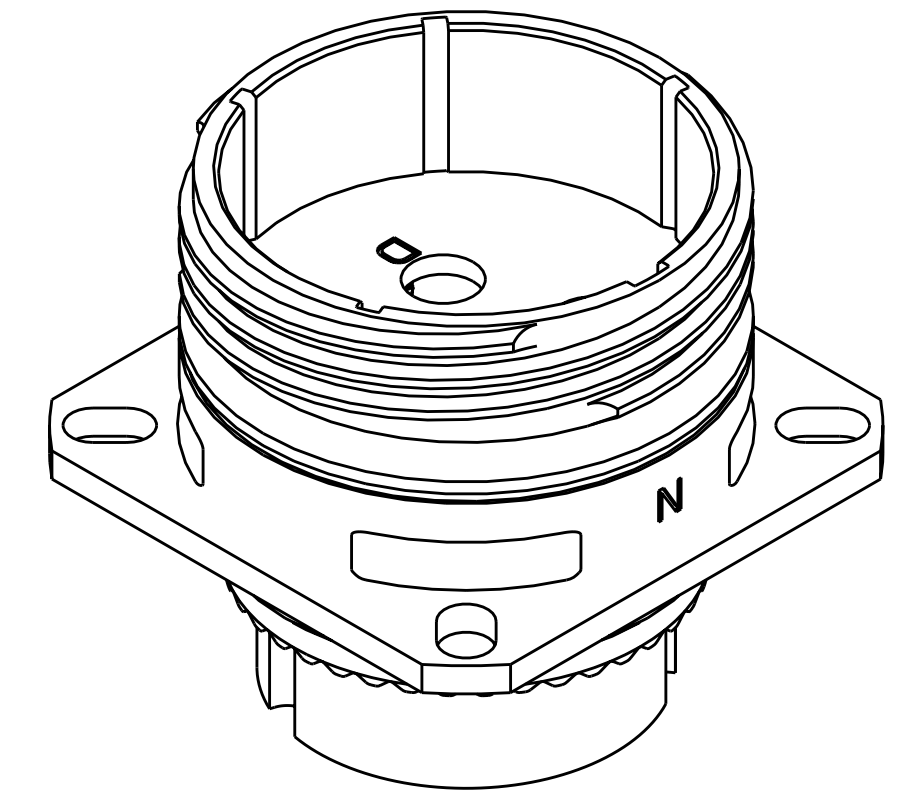
REAR RETAINER
 MATERIAL: ALUMINUM ALLOY OR
 CONDUCTIVE COMPOSITE
 THERMOPLASTIC
 FINISH: SEE TABLE

RETENTION CLIP; QTY 6
 MATERIAL: STAINLESS STEEL
 FINISH: PLATED SILVER
 OVER NICKEL UNDERPLATE

CIRCUIT IDENTIFICATION MARKED
 ON OUTER CIRCUMFERENCE
 APPROXIMATELY AS SHOWN

M34x1.0-6G 0.100R
 BACKSHELL THREAD

SECTION Z-Z



- THIS CONNECTOR ACCEPTS TYCO ELECTRONICS QUARDAX SOCKET ASSEMBLY, PART# 1445692-3 (CONTACTS NOT INCLUDED).
- OPERATING TEMPERATURE RANGE: -65°C TO 125°C (-85°F TO 257°F).
- QUADRAX PIN CONTACT, 1445692-3, SOLD SEPARATELY.
- THE CONNECTOR QUALIFICATION WAS COMPLETED PER TYCO ELECTRONICS 108-2199. THE QUADRAX CONTACTS ARE QUALIFIED PER TYCO ELECTRONICS 108-2131. THE REFERENCE TEST REPORTS ARE TYCO ELECTRONICS 501-660 FOR THE CONNECTOR AND 501-574 FOR THE CONTACTS WHICH ARE SAME AS ARINC 600-13, DRAFT 2 OF SUPPLEMENT 14 (AIR TRANSPORT AVIONICS EQUIPMENT INTERFACES).

5 TYCO ELECTRONICS LOGO OR TE

OLIVE DRAB	B	1954577-6
OLIVE DRAB	A	1954577-5
OLIVE DRAB	N	1954577-4
NICKEL	B	1954577-3
NICKEL	A	1954577-2
NICKEL	N	1954577-1
SHELL & RETAINER FINISH	SHELL KEYING ARRANGEMENT	PART NUMBER

THIS DRAWING IS A CONTROLLED DOCUMENT FOR TYCO ELECTRONICS CORPORATION. IT IS SUBJECT TO CHANGE AND THE CONTROLLING ENGINEERING ORGANIZATION SHOULD BE CONTACTED FOR THE LATEST REVISION.

DIMENSIONS: INCHES	TOLERANCES UNLESS OTHERWISE SPECIFIED:	DWN R FLAIG 20NOV2006	Tyco Electronics Harrisburg, PA 17105-3608
	0 PLC ±	CHK L OH 20NOV2006	
	1 PLC ±.01	APVD L OH 20NOV2006	
	2 PLC ±.005	PRODUCT SPEC	
MATERIAL	FINISH	APPLICATION SPEC	NAME ASSY, RECEPTACLE, SIZE 23, 606, M38999 STYLE, SERIES 111
		WEIGHT	SIZE A200779 CAGE CODE C-1954577
		CUSTOMER DRAWING	RESTRICTED TO

SCALE 2:1 SHEET 1 OF 1 REV B

X-ON Electronics

Largest Supplier of Electrical and Electronic Components

Click to view similar products for [Circular MIL Spec Connector](#) category:

Click to view products by [TE Connectivity](#) manufacturer:

Other Similar products are found below :

[89075GULPR](#) [0025-262-542](#) [0025-264-3014](#) [58-570121-04S](#) [0134-213-1208](#) [0134-213-2209](#) [0025-258-000](#) [60-042022-07P](#) [60-042022-19P](#)
[60-042022-23P](#) [60-042217-10P](#) [0114-201-1278](#) [012-0467-000](#) [602GB06EG24-61SN](#) [0134-201-1207](#) [0134-213-1006](#) [6104-207-2302](#) [6104-](#)
[208-1902](#) [61-168211-04P](#) [61-168617-10P](#) [6131-202-19149P](#) [6131-204-21149P](#) [6131-208-13149P](#) [6131-209-17149P](#) [6131-210-11149P](#) [6131-](#)
[211-19149P](#) [6131-216-19149P](#) [6131-259-21149P](#) [6131-259-23149P](#) [6131-265-17149P](#) [6131-265-19149P](#) [CS3100A18-1P-472](#) [CS3100A-36-](#)
[77P](#) [CS3101A-16-55P](#) [CS3102A-10SL-55P](#) [CS3102A-14S-58P](#) [CS3102A-32-17P](#) [CS3102A32-25S](#) [CS3102C18-4P-472](#)
[CS3106A10SL3S004](#) [CS3106A-18-73S](#) [CS3108A-14S-52S](#) [CS3108A-28-51S](#) [6162-233-1277](#) [6162-324-1231](#) [M243082296Z](#)
[M2884010AC1S1](#) [CT0-24-10SC](#) [CT0M20-7PCAU](#) [M28840/17AC1G3](#)