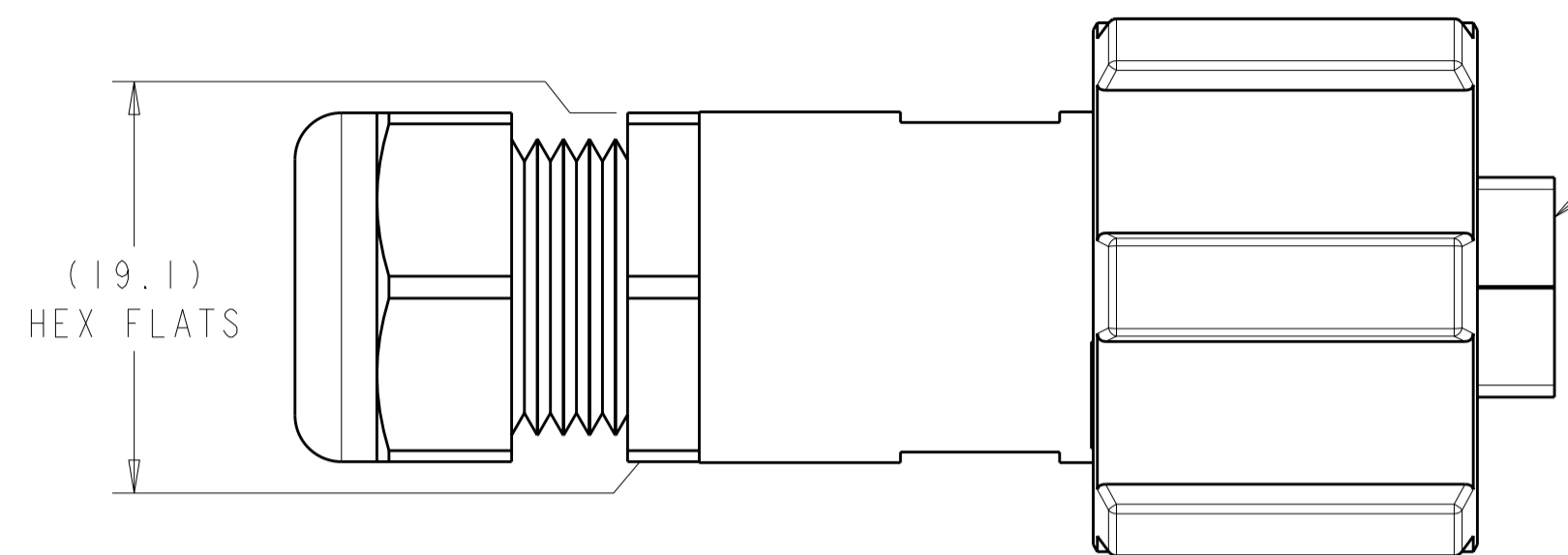
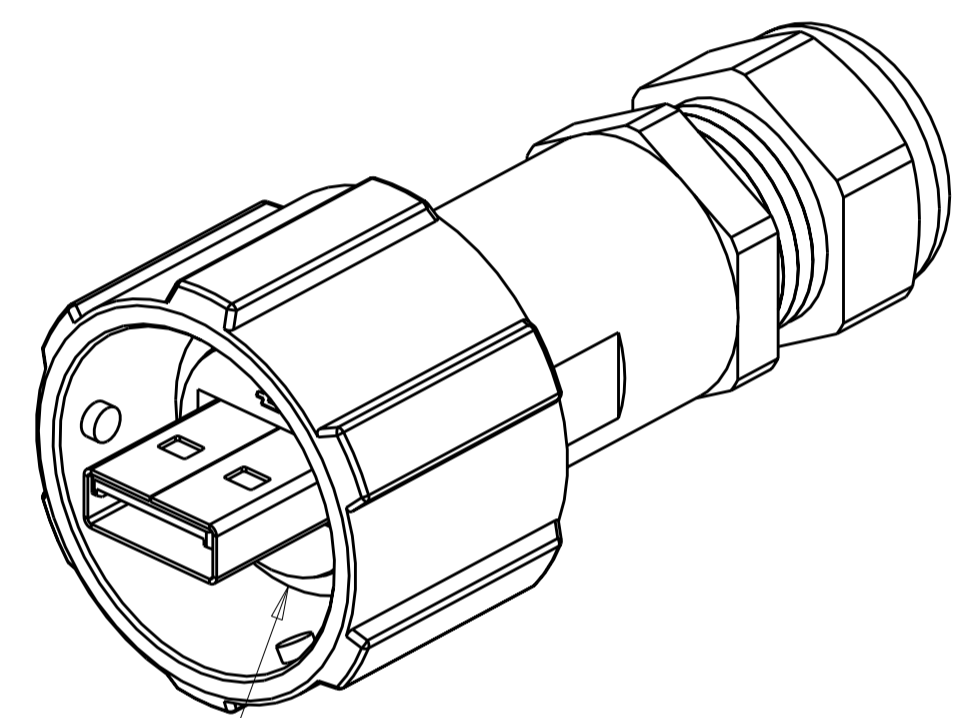
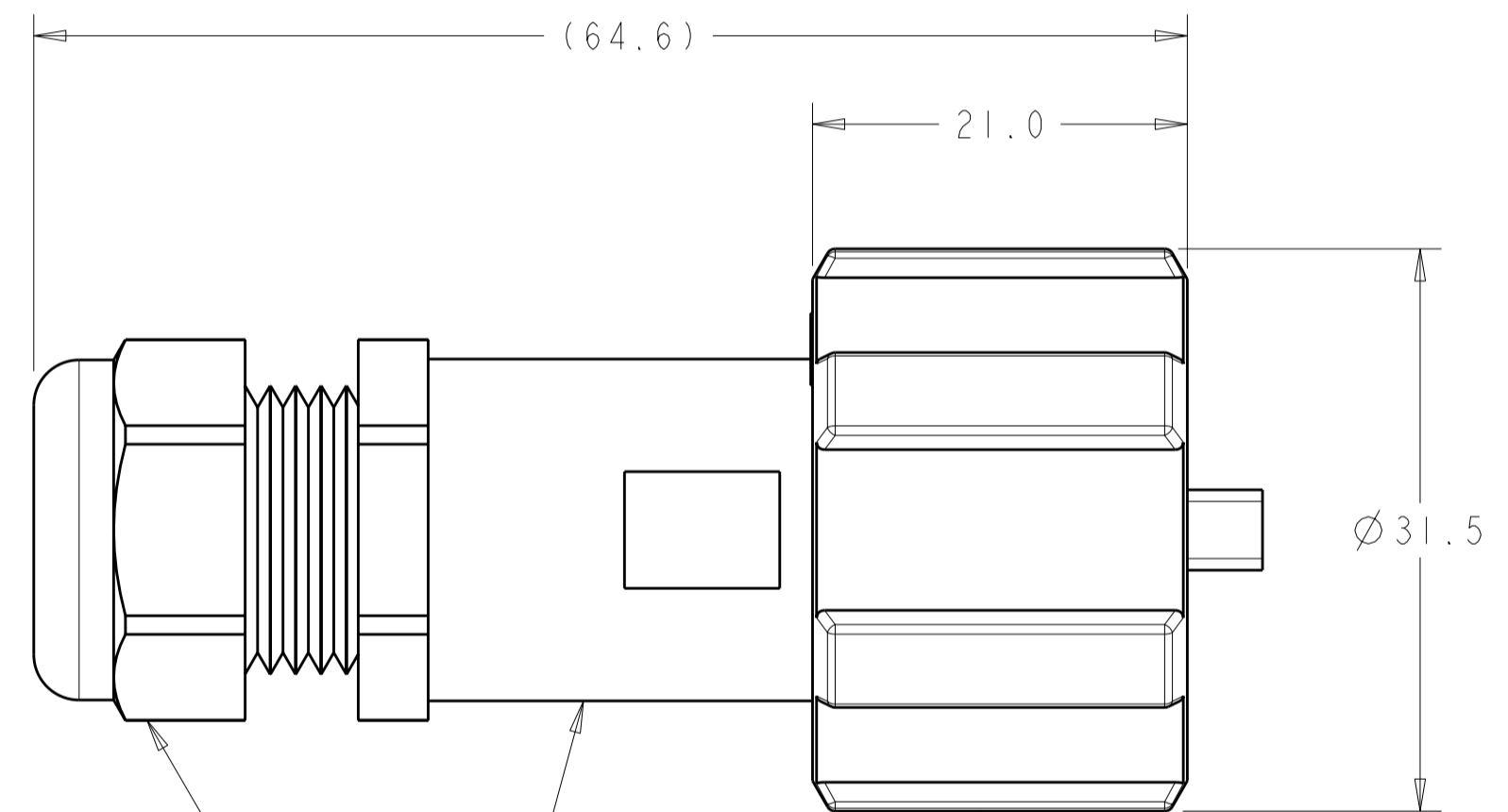


THIS DRAWING IS UNPUBLISHED. RELEASED FOR PUBLICATION 20
 © COPYRIGHT 20 BY TYCO ELECTRONICS CORPORATION. ALL RIGHTS RESERVED.

LOC		DIST		REVISIONS			
P	LTR	DESCRIPTION	DATE	DWN	APVD		
-	-	A	REVISED PER ECO-09-009008	08APR2009	SS	MS	



USB HARDWARE PLUG ASSEMBLY, SERIES A
 HOUSING - PBT
 CONTACTS - BRASS, GOLD OVER NICKEL
 SHIELD - STEEL, NICKEL PLATED



INTERFACIAL SEAL ⁵
 ELASTOMER, COLOR: ORANGE-RED

¹ CABLE FITTING
 POLYAMIDE AND ELASTOMER
 COLOR: BLACK

⁴ PLUG HOUSING
 POLYESTER, COLOR: BLACK

COUPLING RING
 POLYESTER, COLOR: BLACK

¹ CABLE DIAMETER RANGE, 4.6 mm TO 7.9 mm, CABLE FITTING ONLY,
 SEE APPLICATION SPECIFICATION FOR PLUG TERMINATION INFORMATION

2. THIS PRODUCT HAS NOT COMPLETED VALIDATION TESTING.

3. PARTS PACKAGED UNASSEMBLED IN POLYBAG.

⁴ GEOMETRY CAN VARY.

⁵ ELASTOMER SEAL IS SECURED TO HOUSING WITH ADHESIVE.

1954637-1
 PART NO

THIS DRAWING IS A CONTROLLED DOCUMENT FOR TYCO ELECTRONICS CORPORATION IT IS SUBJECT TO CHANGE AND THE CONTROLLING ENGINEERING ORGANIZATION SHOULD BE CONTACTED FOR THE LATEST REVISION.		DWN RAGHU 05OCT06	Tyco Electronics Harrisburg, PA 17105-3608	
DIMENSIONS: mm		CHK J. LANDIS 05OCT06	NAME PLUG KIT, SERIES A CIRCULAR SEALED USB CONNECTOR	
TOLERANCES UNLESS OTHERWISE SPECIFIED:		APVD -	PRODUCT SPEC 108-2318	
0 PLC ±0.3		APPLICATION SPEC 114-13211		
1 PLC ±0.2		WEIGHT -		
2 PLC ±0.10		SIZE A2		
3 PLC ±		CAGE CODE 00779		
4 PLC ±		DRAWING NO 1954637		
ANGLES ±°		RESTRICTED TO -		
FINISH		SCALE 5:2 SHEET 1 OF 1 REV A		
MATERIAL		CUSTOMER DRAWING		

X-ON Electronics

Largest Supplier of Electrical and Electronic Components

Click to view similar products for [USB Connectors](#) category:

Click to view products by [TE Connectivity](#) manufacturer:

Other Similar products are found below :

[65-647-8-BK-BU](#) [950](#) [952](#) [E8144-B01021-L](#) [A-USB B-TOP-C](#) [MUSBA511N5](#) [MUSBD11135](#) [217450-1](#) [CA 6 W LD](#) [KMBVX-TH-5S-B30](#)
[896-30-004-00-000000](#) [KUSBVX-BS1N-W30](#) [KUSBX-AP-KIT-SCBLK](#) [KUSBX-AS2N-W](#) [KUSBX-SMT2AP1S-W](#) [KUSBX-SMT2AP1S-](#)
[W30](#) [935](#) [957](#) [30-498-6](#) [17-210051](#) [1734082-1](#) [30-1574](#) [30-470](#) [30-489](#) [30-541](#) [30-572-3](#) [MAB 8 SN V](#) [A-USB A-2P-C](#) [MIKROE-1451](#)
[USBFTV2PEM2G](#) [USBFTVC6ZN](#) [KUSBX-AS2N-W30](#) [KUSBX-SLAS1N-W](#) [KUSBX-SMT-AS1N-W30](#) [4689-1](#) [1-1734084-2](#) [E8110-001-](#)
[01](#) [33UBARS1-04SW11](#) [33UBAR-04SW11](#) [USBF21ZNSCC](#) [USBBFTV6ZC](#) [MUSBB151341](#) [10135326-001LF](#) [M9177/3-1](#) [USB-A-S-F-B-](#)
[VT](#) [925](#) [4198](#) [690-024-633-031](#) [KUSBEX-BSFS1N-W](#) [USBFTVC6MRG](#)