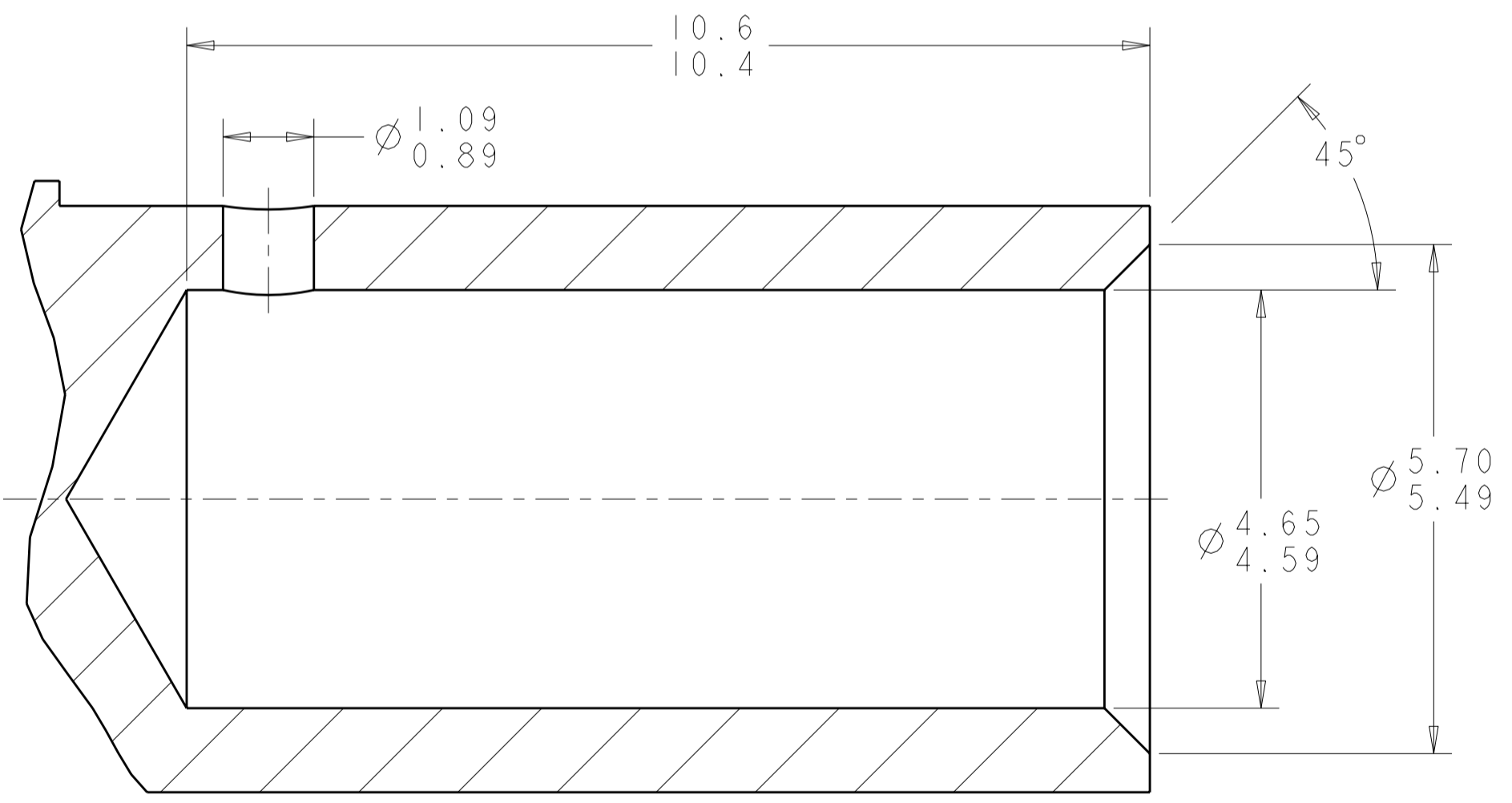
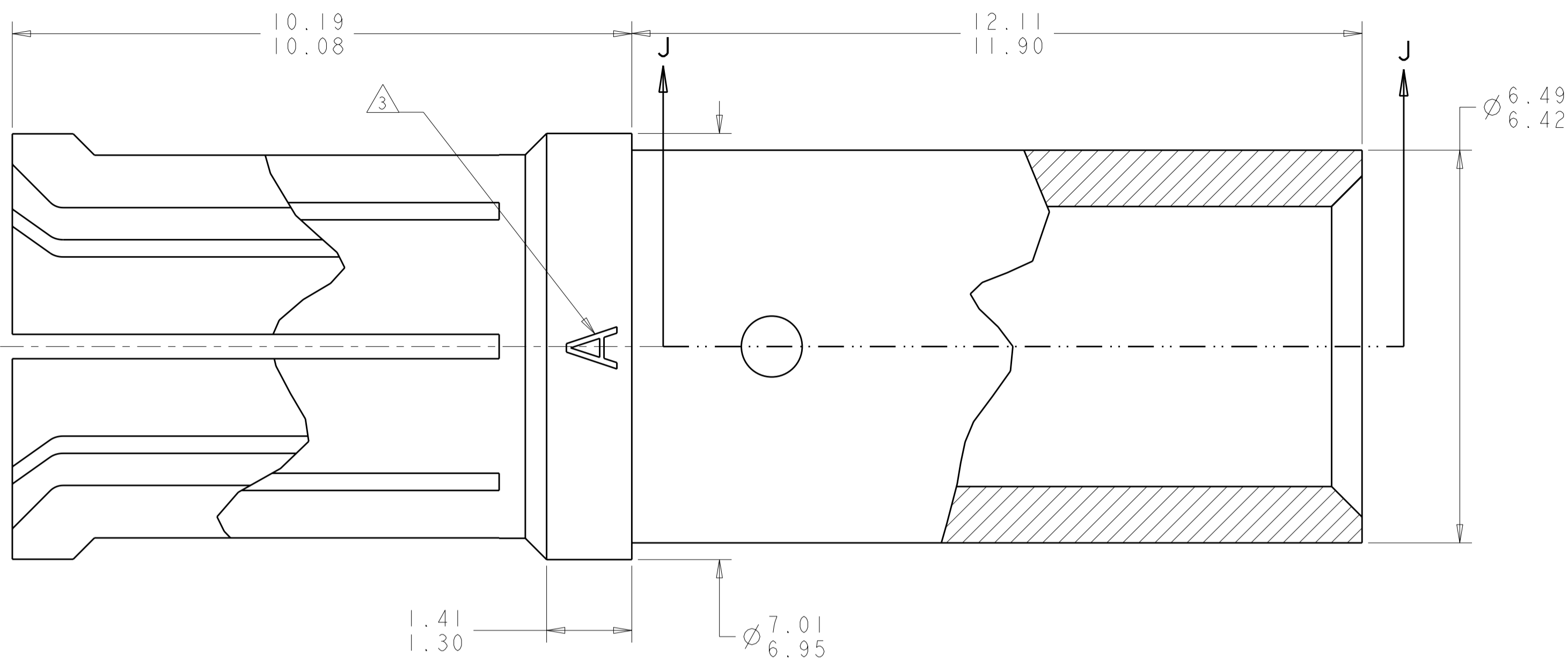


THIS DRAWING IS UNPUBLISHED. RELEASED FOR PUBLICATION 20
 © COPYRIGHT 20 BY TYCO ELECTRONICS CORPORATION. ALL RIGHTS RESERVED.

| LOC | DIST | REVISIONS | | | |
|-----|------|-------------|------|-----|------|
| P | LTR | DESCRIPTION | DATE | DWN | APVD |
| DF | A5 | | | | |
| | | 1 DRAWN | | | |



- ① COPPER ALLOY PER ASTM B196
- ② 1.27µm MIN GOLD PER ASTM B488 OVER 2.54µm MIN NICKEL PER QQ-N-290 ON ENTIRE STOCK.
- ③ OPTIONAL ALTERNATE MARKING: LETTER "S"
- 4. WIRE ACCOMMODATED 8-10 AWG STRIP LENGTH 9.6mm - 10.10mm
- 5. APPLICATION TOOLONG:
 CRIMP TOOL: M22520/23-01
 DIE SET: M22520/23-02
 LOCATOR: TYCO ELECTRONICS P/N 1738331-1
 EXTRACTION TOOL: M81969/28-01
- 6. THIS PRODUCT IS SOLD BY TYCO ELECTRONICS UNDER A LICENSE FROM RADIAL SA.

SECTION J-J

1954722-1
 PART NUMBER

| | | | | | |
|---|--|------------------|-----|--|---|
| THIS DRAWING IS A CONTROLLED DOCUMENT FOR TYCO ELECTRONICS CORPORATION. IT IS SUBJECT TO CHANGE AND THE CONTROLLING ENGINEERING ORGANIZATION SHOULD BE CONTACTED FOR THE LATEST REVISION. | | DWN | BH | 17JAN2007 | Tyco Electronics Harrisburg, PA 17105-3608 |
| DIMENSIONS: mm | | CHK | JPM | 17JAN2007 | |
| TOLERANCES UNLESS OTHERWISE SPECIFIED: 0 PLC ±- 1 PLC ±0.1 2 PLC ±0.05 3 PLC ±- 4 PLC ±- ANGLES ±1 FINISH | | APVD | JPM | 17JAN2007 | |
| MATERIAL ① - | | PRODUCT SPEC | | NAME POWER CONTACT, SOCKET, CRIMP TERMINATION, SIZE 5, GPR | |
| ② - | | APPLICATION SPEC | | SIZE CAGE CODE DRAWING NO RESTRICTED TO | |
| | | WEIGHT - | | A200779C-1954722 | |
| CUSTOMER DRAWING | | SCALE 15:1 | | SHEET OF REV | |

X-ON Electronics

Largest Supplier of Electrical and Electronic Components

Click to view similar products for [Rack & Panel Connectors](#) category:

Click to view products by [TE Connectivity](#) manufacturer:

Other Similar products are found below :

[00171410002](#) [00171420202](#) [00171440002](#) [02-014-013-5200-000](#) [613467-000](#) [CTJ112E01E-513](#) [CTJ116E03A-513](#) [66020-2](#) [CW8958-000](#)
[699886-000](#) [D250-50632](#) [70.400.3240.0](#) [70.955.2453.3](#) [733753-000](#) [F22831-000](#) [780-522-DPX34RG8-02](#) [8660-501](#) [87.060.0053.0](#)
[900709N001](#) [928358-1](#) [D-659-0061](#) [1-445717-6](#) [1484469-2](#) [1604997-2](#) [MTC100-BF1-P31CS015](#) [MTC100-KT2-0083](#) [MTC100-KT2-0123-](#)
[003](#) [MTC100-YA1-005](#) [MTCQKT1R2PGCA](#) [MTCR-103-04S](#) [MTCX1X-100-100CS025](#) [1738331-1](#) [1757667-1](#) [1811481-1](#) [1883433-1](#)
[201046-7](#) [202648-4](#) [213364-1](#) [226503-000](#) [937028-164](#) [1663130-2](#) [172305-4](#) [F36711-000](#) [202355-2](#) [202356-2](#) [G16S-A](#) [G20S-AB](#) [CHA-](#)
[0017-003](#) [CHA-0296](#) [354654-000](#)