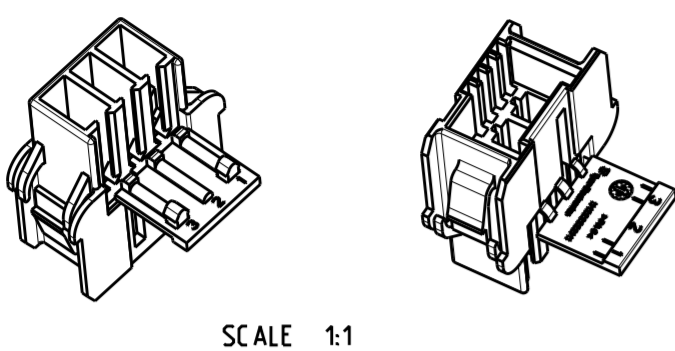


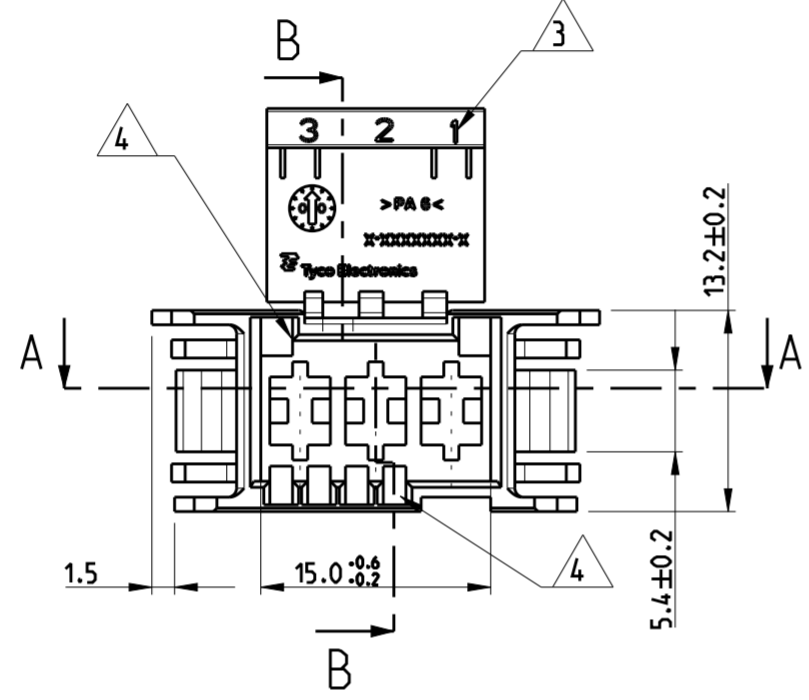
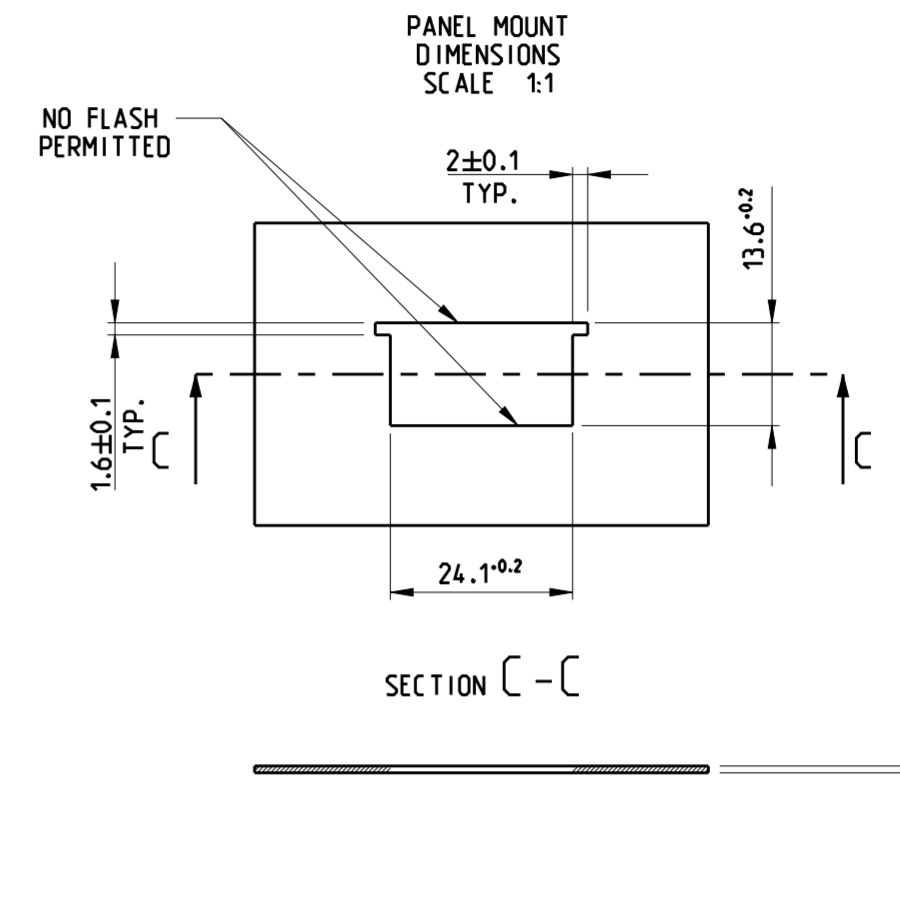
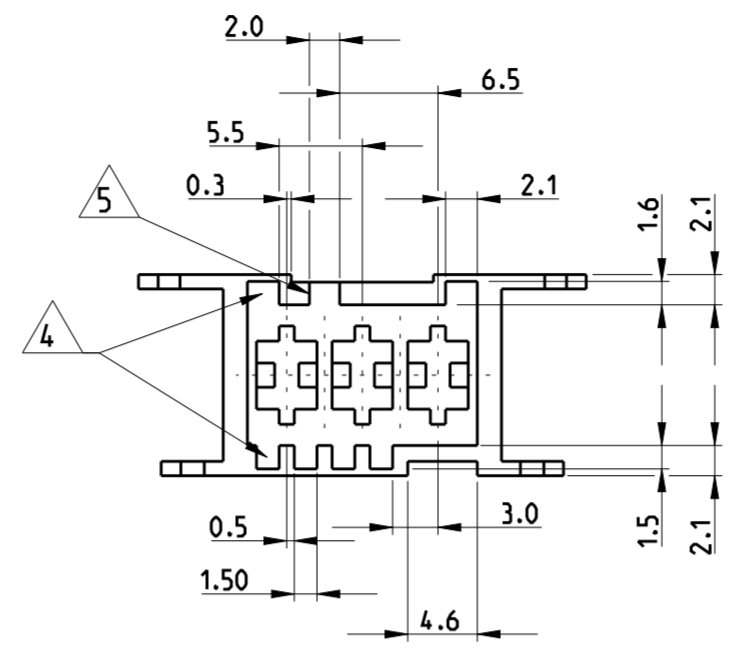
THIS DRAWING IS UNPUBLISHED. RELEASED FOR PUBLICATION 2009
 © COPYRIGHT 2009 BY TYCO ELECTRONICS CORPORATION. ALL RIGHTS RESERVED.

LOC		DIST		REVISIONS			
P	LTR	DESCRIPTION	DATE	DWN	APVD		
A		INITIAL RELEASE	05JAN2010	DMK	RRP		
A1		ECR-17-008891	26JUN2017	KD	RR		

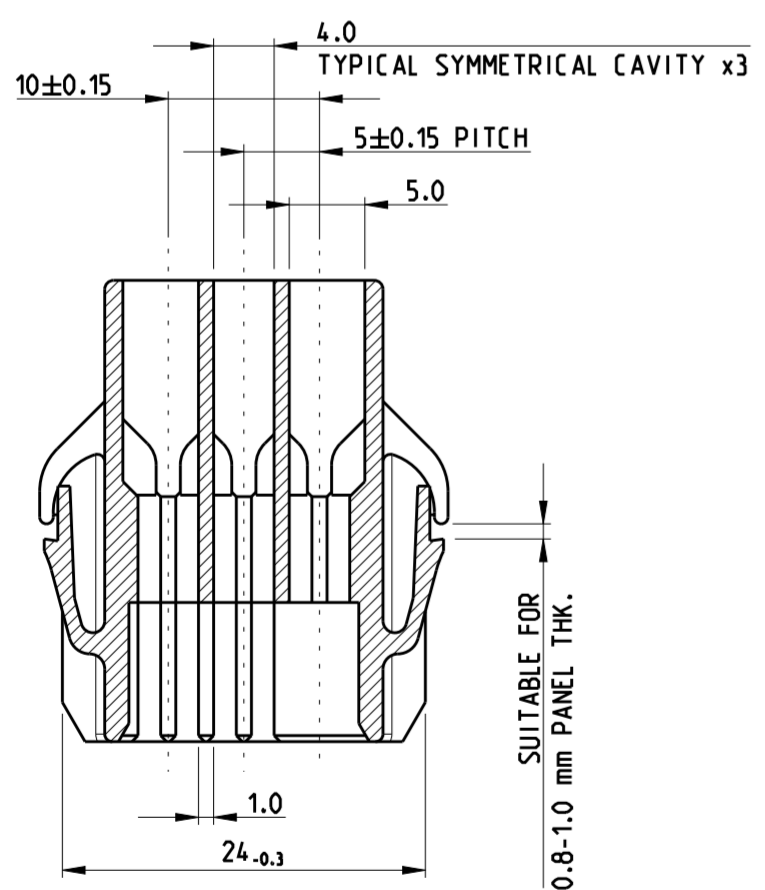


SCALE 1:1

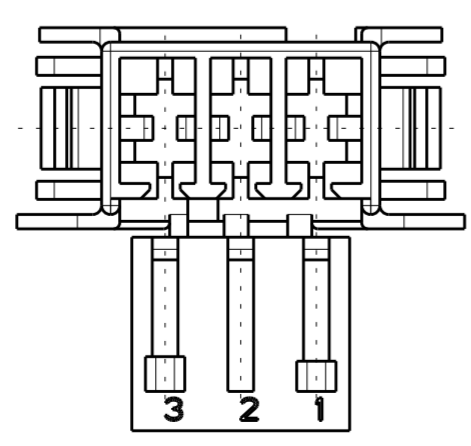
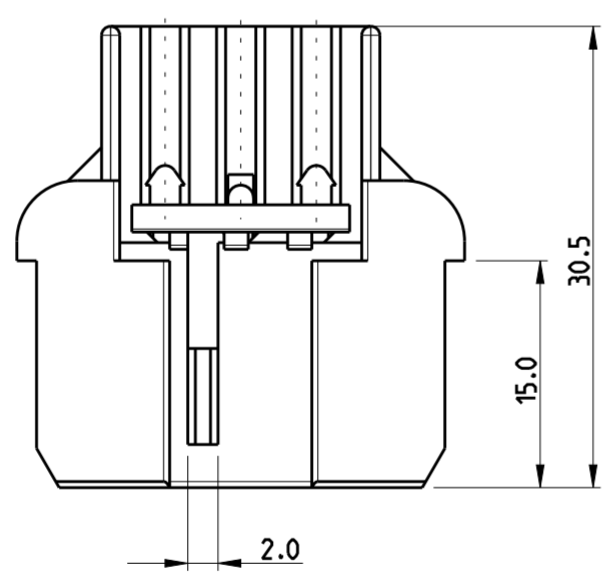
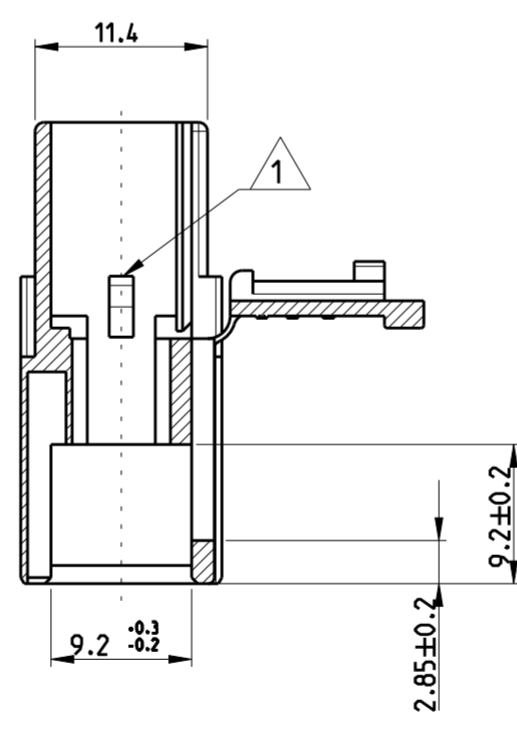
POLARIZATION KEYS SCHEME



SECTION A-A



SECTION B-B



- NOTES:
- 1 TYPICAL CAVITY SUITABLE FOR:
FASTIN-FASTON TAB CONTACTS 6.3 mm SRS:
P/N: 60294, 0.3-0.8 mm² WIRE RANGE
160691, 0.3-0.8 mm² WIRE RANGE
AMPLIVAR CONTACTS:
P/N: 141051, 0.1-0.5 mm² WIRE RANGE
142411, 0.3-1.6 mm² WIRE RANGE
MAX. INSULATION DIA. 2.8 mm.
MAX. INSULATION CRIMP WIDTH 3.3 mm.
 - 2 MATERIAL: PA 6 UNFILLED, UL94 V2
ACCORDING TO IEC-60335-1 NORMS
 - 3 CIRCUIT IDENTIFICATION NUMBERS, 1 TO 3
 - 4 POLARIZATION KEYS DIMENSIONS AND POSITIONS
ARE ACCORDING TO "RAST 5" NORM
RAST CODE 03-K
 - 5 GROOVE FOR LOCKING SPRING BETWEEN
CAVITY NO. 2 AND 3
 - 6 MATERIAL: PA66 UNFILLED, UL94 V0
ACCORDING TO IEC-60335-1 NORMS
 - 7 PRELIMINARY PART - NOT RELEASED FOR PRODUCTION

PN 0-1 AS SHOWN

NATURAL	6	7	1-1955416-1
NATURAL	2		0-1955416-1
SURFACE / COLOR	MATERIAL		PART NO.

<small>THIS DRAWING IS A CONTROLLED DOCUMENT FOR TYCO ELECTRONICS CORPORATION IT IS SUBJECT TO CHANGE AND THE CONTROLLING ENGINEERING ORGANIZATION SHOULD BE CONTACTED FOR THE LATEST REVISION.</small>		DWN 13MAY2009 CHK RAJENDRA 19MAY2009 APVD M.WESTEN 19MAY2009	Tyco Electronics Corporation India (P) Ltd Bangalore, India
DIMENSIONS: mm	TOLERANCES UNLESS OTHERWISE SPECIFIED: 0 PLC ±0.2 1 PLC ±0.2 2 PLC ± 3 PLC ± 4 PLC ± ANGLES ±1° FINISH	PRODUCT SPEC 108-20256 APPLICATION SPEC	NAME 3 POS. FASTIN-FASTON CONNECTOR TAB HOUSING, RAST 5
MATERIAL		WEIGHT	SIZE CAGE CODE DRAWING NO RESTRICTED TO A2 00779 C-1955416 -
CUSTOMER DRAWING		SCALE 5:1	SHEET 1 OF 1 REV A1

X-ON Electronics

Largest Supplier of Electrical and Electronic Components

Click to view similar products for [Automotive Connectors](#) category:

Click to view products by [TE Connectivity](#) manufacturer:

Other Similar products are found below :

[003-018-000](#) [60403001](#) [60993906-B](#) [M902-2131](#) [M902-2161](#) [72.330.1035.1](#) [73.353.4028.0](#) [F119300-B](#) [F166900](#) [F258300-B](#) [F358300-B](#)
[F407400](#) [F444110](#) [F487000](#) [F509500B-B](#) [827153-1](#) [8N1515-32-24P](#) [9-1326729-8](#) [925474-1](#) [928905-1](#) [964562-4](#) [968782-1](#) [GT17SA-8DS-](#)
[HU](#) [98891-1012](#) [98947-1016](#) [12004147](#) [12004475-L](#) [12010290](#) [12010309-B](#) [12015454](#) [12020219-B](#) [12020308](#) [12041318-B](#) [12052225-L](#)
[12052466](#) [12059125](#) [12064869](#) [12004327-B](#) [12010503-B](#) [12015308](#) [12015384](#) [12015909](#) [1-21030-1](#) [12041254](#) [12041318](#) [12047946-B](#)
[12047957](#) [12047957-L](#) [12059473](#) [12066261](#)