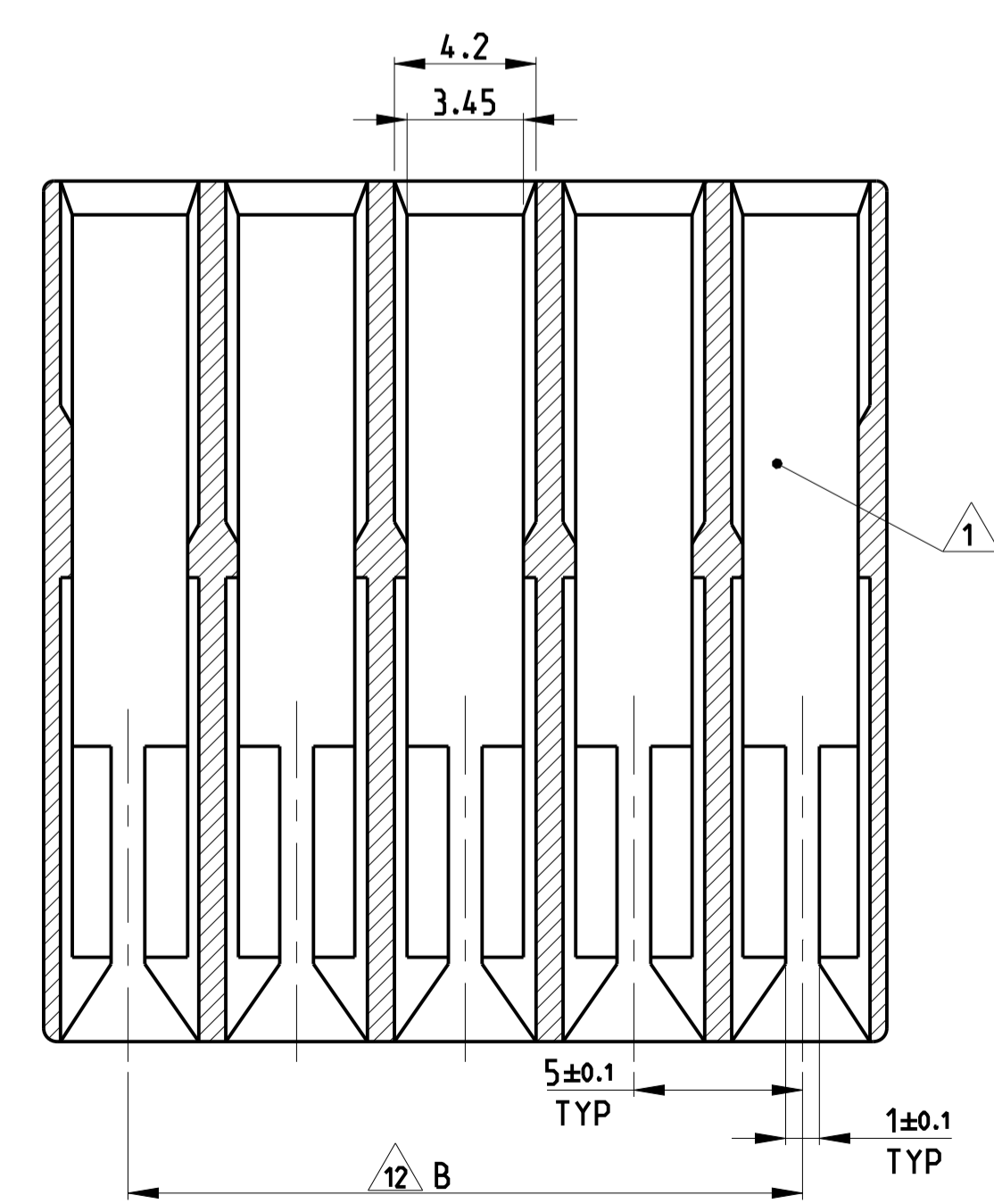
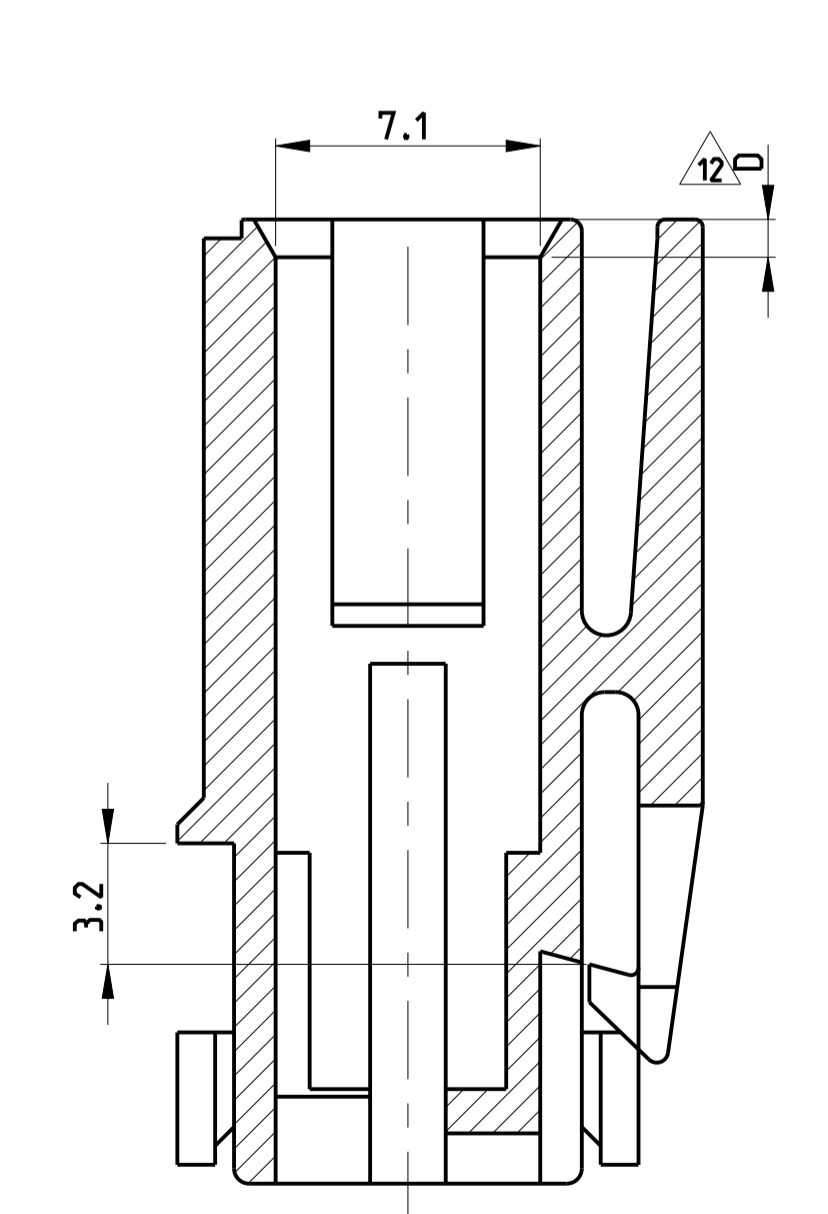
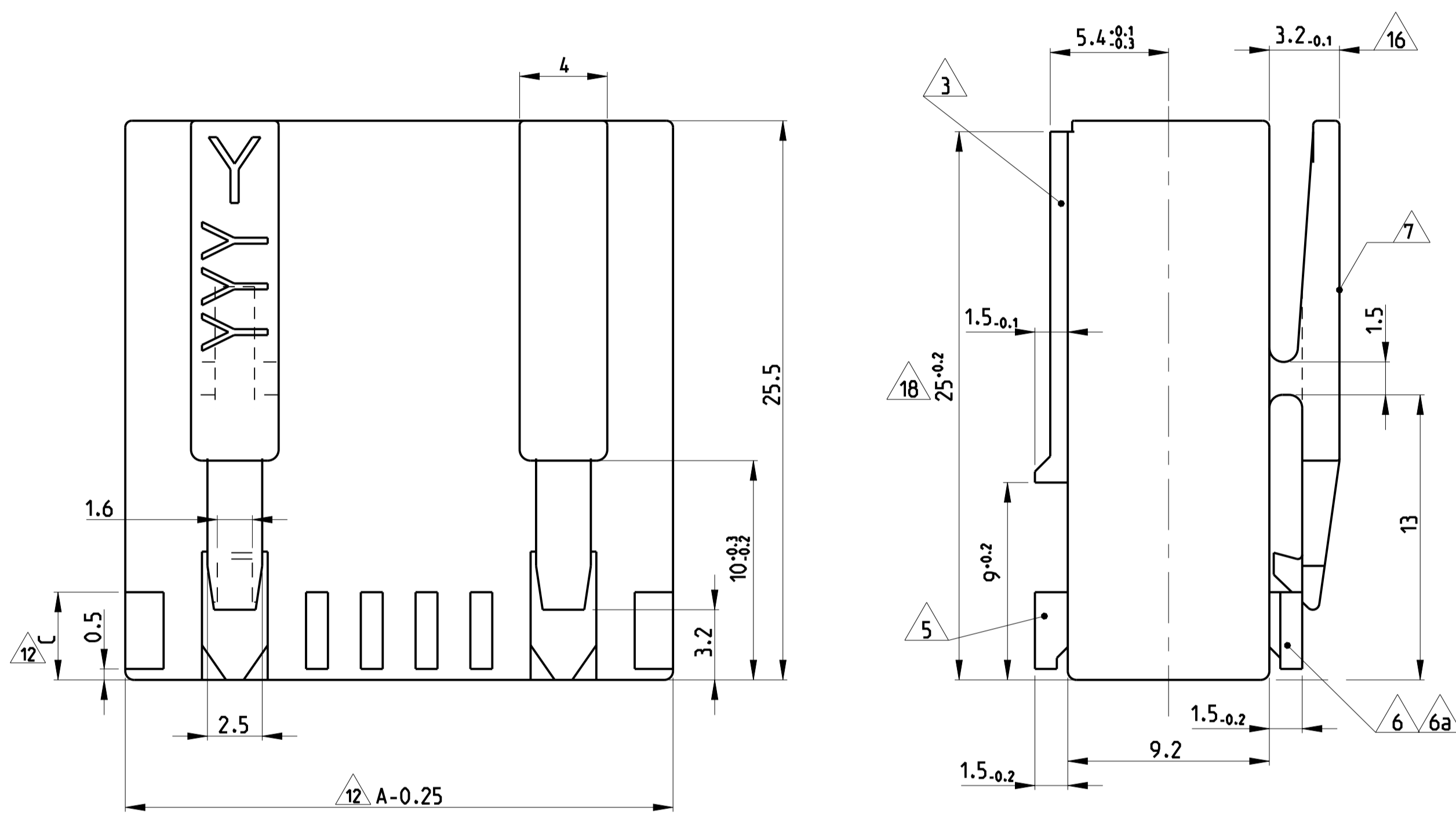
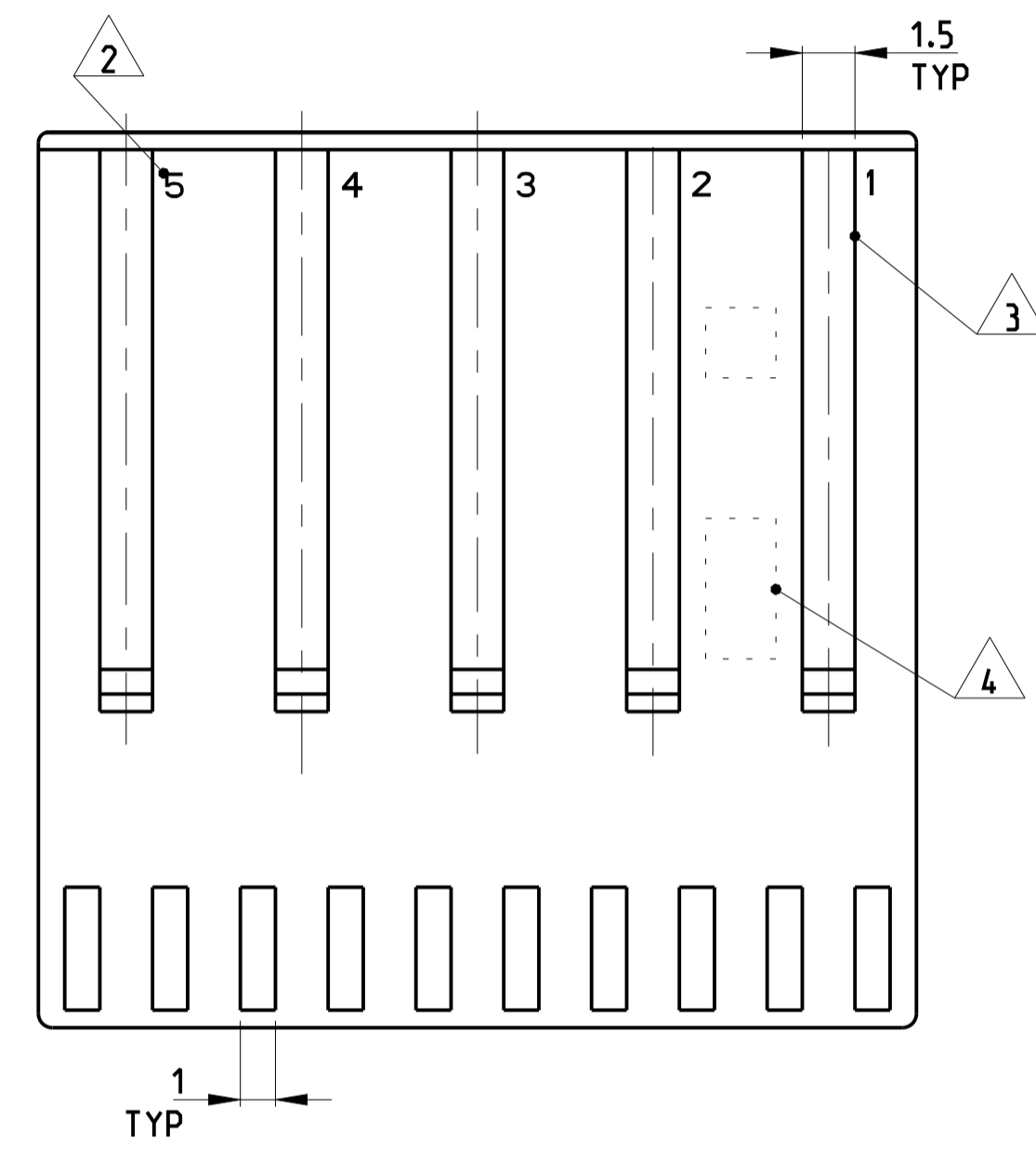
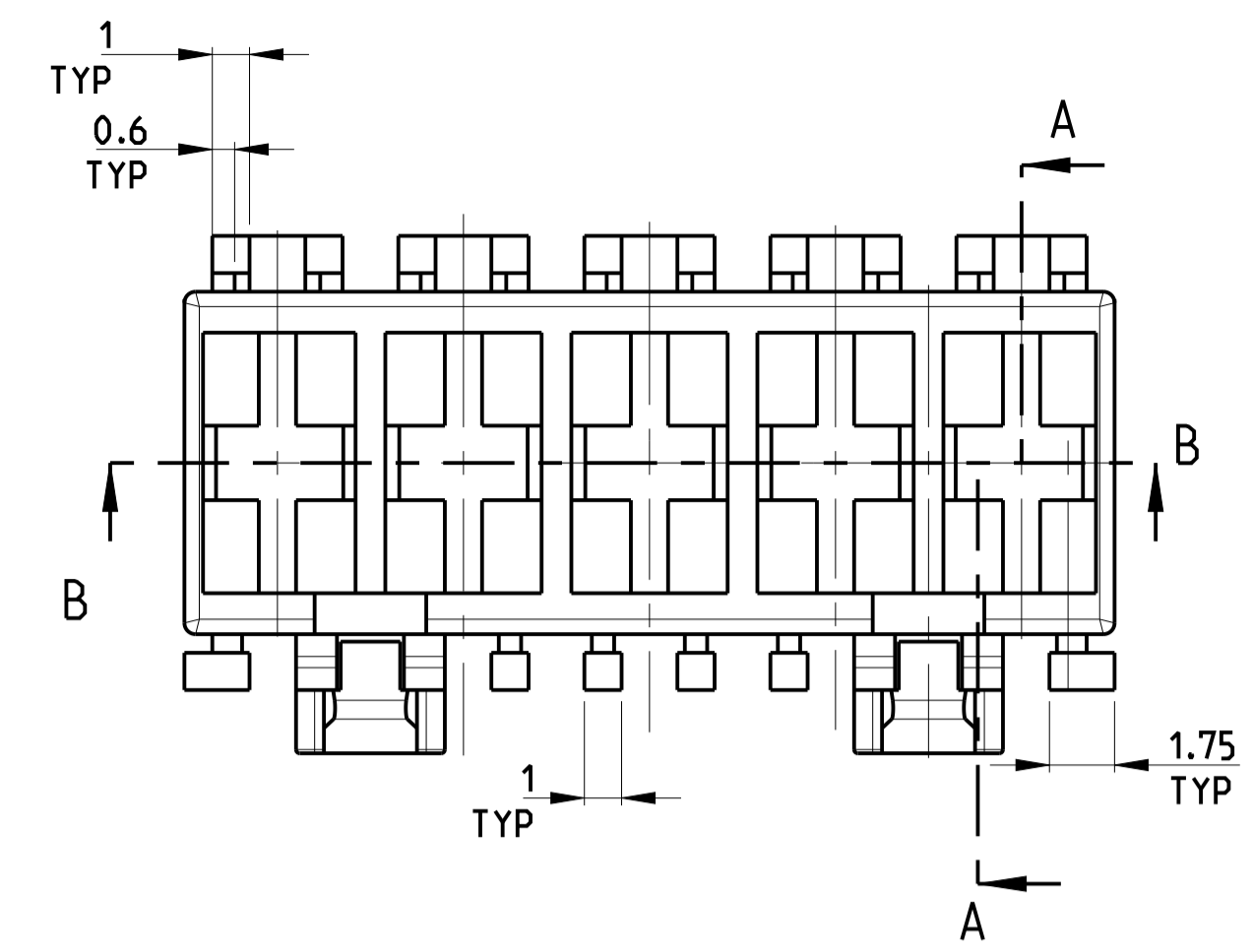
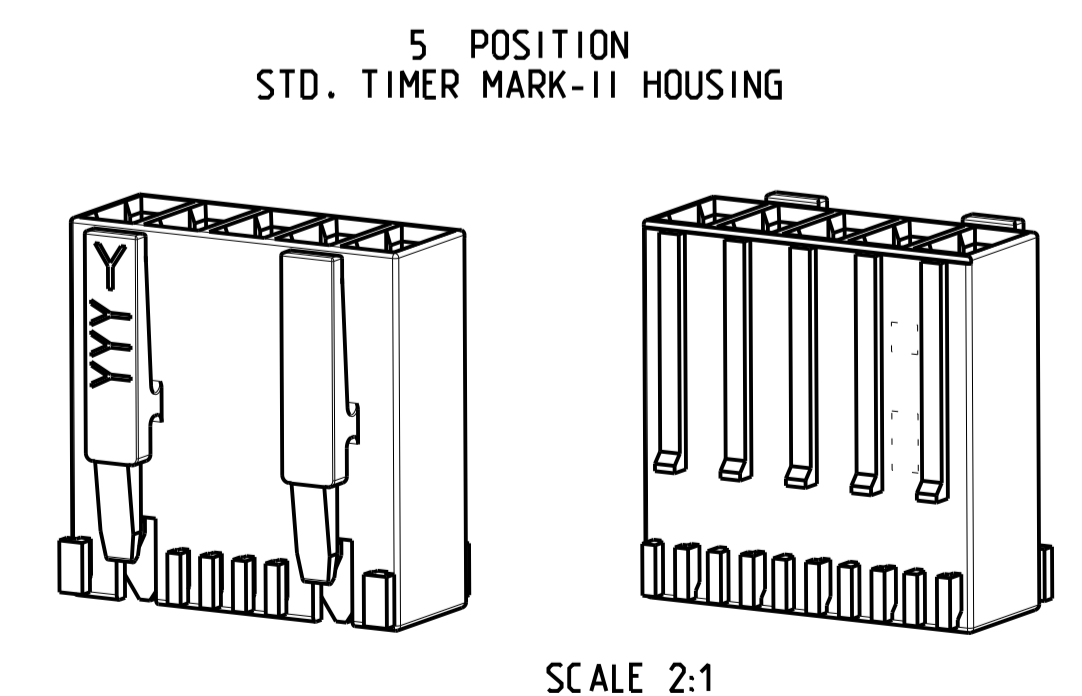


LOC		DIST		REVISIONS			
		P	LTR	DESCRIPTION	DATE	DWH	APVD
	E1			ECR-21-100139	12 JAN 2021	KD	FL
	E2			ECR-21-100675	23 FEB 2021	KD	FL
	E3			ECR-21-102870	20 MAY 2021	SM	FL
	E4			ECR-21-103933	14 JUN 2021	PJ	FL



- REMARKS/Bemerkungen**
- 1 CAVITY SUITABLE FOR STANDARD TIMER CONTACTS LISTED IN PROD.SPEC. 108-18049. ITEM 3.3.2  
Kammer geeignet für Standard Timer Kontakte gelistet in Prod. Spec. 108-18049. Punkt 3.3.2
  - 2 CONTACT CAVITY NO.  
Kontaktkammernummerierung
  - 3 MATING STOP  
Tiefenanschlag
  - 4 AREA FOR TE LOGO ACC. TO SPEC 202-36  
Bereich für TE Logo nach Spec. 202-36
  - 5 POLARIZATION RIB POSITION "a" AND/OR "b"  
Polarisierungsrippe Position "a" und/oder "b"
  - 6 KEYING RIB POSITION "c" AND/OR "d"  
Kodierrippe Position "c" und/oder "d"
  - 6a KEYING RIB POSITION "c" AND/OR "d" AT THE END WALLS OF THE HOUSING  
Kodierrippe Position "c" und/oder "d" an den Gehäusestirnseiten
  - 7 LOCKING LATCH  
Rasthaken
  - 8 TE PART NO (PN)  
TE Bestell Nr. (PN)
  - 9 DESIGN OF THE HOUSINGS ACC. TO RAST 5 STANDARD  
Gehäuseausführung gemäss RAST 5 Vorgabe
  - 10 GENERAL SUITABLE TAB HEADER SEE RAST 5 PERFORMANCE  
Generell passende Flachsteckerwannen siehe RAST 5 Vorgabe
  - 11 PACKAGING: BULK PACKAGING IN CORRUGATED BOX PN 740580-2  
2 POS. 2500 PIECES PER BOX / 3 POS. 2000 PIECES PER BOX  
Verpackung: Schüttgut in Versandkarton Pn 740580-2  
2pol. 2500 Stück per Karton / 3pol. 2000 Stück per Karton
  - 12 DIMENSION A, B C AND D SEE SHEET 2 OF 3
  - 13 MATERIAL CORRESPONDS TO THE REQUIREMENT EN 60335  
(INCL. GLOW WIRE TEST 750° WITHOUT FLAME)  
Material entspricht den Anforderungen der EN 60335  
(inkl. Glühdrahttest 750° ohne Flamme)
  - 14 RATIO NUMBER OF THE KEYING VERSION, INKJET PRINTED. SEE SHEET 2  
Kodierungskennnummer, mit Tintenstrahldrucker aufgebracht. siehe Blatt 2
  - 15 PRELIMINARY- NOT RELEASED FOR PRODUCTION
  - 16 ONLY FOR 9-1241961-7. DIMENSION 3.2 -0.2
  - 17 DOUBLE SOURCE RESIN: ALTERNATIVE RESIN UNDER APPROVAL
  - 18 ALLOWED 25±0.2 FOR P/NS X-2364739-X.



THIS DRAWING IS A CONTROLLED DOCUMENT.		DWH	Kishor M	18-10-07		TE Connectivity	
DIMENSIONS: mm		CHK	K. Murtz	18-10-07		NAME: STANDARD TIMER HSG. RAST 5 MARK II Standard Timer Gehäuse RAST 5 Mark II	
TOLERANCES UNLESS OTHERWISE SPECIFIED:		APPD	Tr. Klöpper	18-10-07	PRODUCT SPEC: 108-18049-1		
0 PLC ±0.2		APPLIC. SPEC:		SIZE: CAGE CODE: DRAWING NO: RESTRICTED TO			
1 PLC ±0.2		WEIGHT:		A1 00779 ©=1241961			
2 PLC ±0.2		SCALE: 5:1		SHEET 1 OF 4			
3 PLC ±0.2		CUSTOMER DRAWING		REV E4			
4 PLC ±0.2							
5 PLC ±0.2							
6 PLC ±0.2							
7 PLC ±0.2							
8 PLC ±0.2							
9 PLC ±0.2							
10 PLC ±0.2							
11 PLC ±0.2							
12 PLC ±0.2							
13 PLC ±0.2							
14 PLC ±0.2							
15 PLC ±0.2							
16 PLC ±0.2							
17 PLC ±0.2							
18 PLC ±0.2							



LOC	DIST	REVISIONS			
P	LTN	DESCRIPTION	DATE	DWN	APVD
		SEE SHEET 1			

SPECIAL VERSION: UL94 V0 & GWEPT 750°C NF									
2364739-5	5	4	0.5	25	20	PA66 13 17	BLUE	C	
2364739-4	4			20	15		BLUE	C	
1-2364739-3	3			15	10		BLUE	C	
2364739-3	3			15	10		BLUE	C	
1-2364739-2	2			10	5		BLUE	C	
2364739-2	2			10	5		BLUE	C	
3-2364739-2	2			10	5		BLUE	C	
2-2364739-2	2			10	5		BLUE	C	


SPECIAL VERSION: UL94 V0 & GWT 750 NF & CTI 350									
5-1241961-7	3	6	1	15	10	PA66 13	NATURAL	A	
1-1241961-9	3			15	10		NATURAL	A	
7-1241961-7	3			15	10		NATURAL	A	

SPECIAL VERSION: UL94 V0 & GWT 750 NF									
2322164-1	4	4	0.5	20	15	PA66 13	NATURAL	1	

SPECIAL VERSION: UL94 V2 & GWT 750 NF									
6-2178575-7	3	4	0.5	15	10	PA6 GF15 13	NATURAL	A	

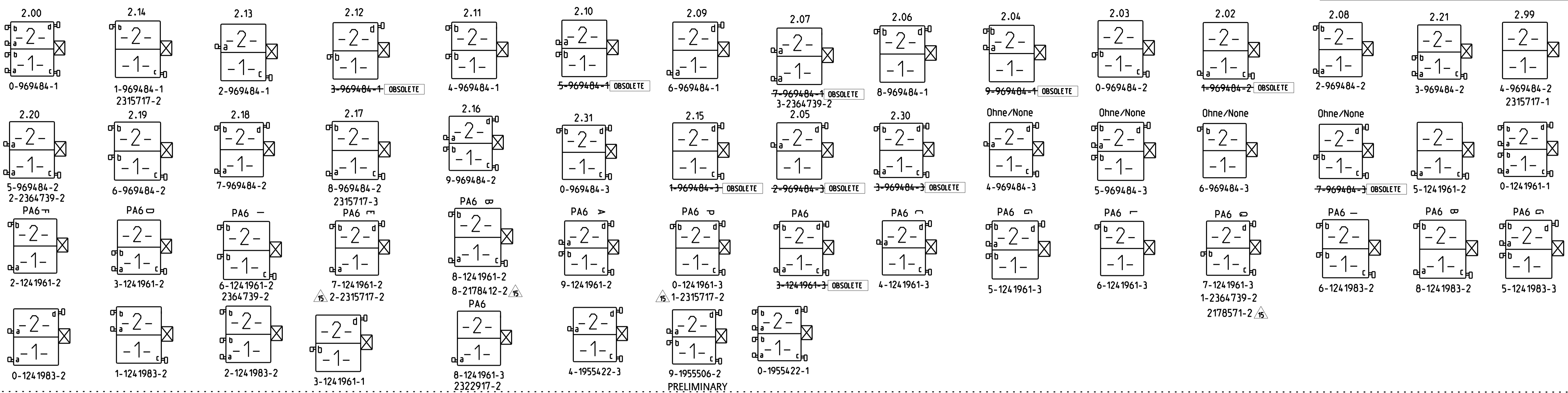
SPECIAL VERSION: UL94 V0 & GWT 750 NF									
3-2178412-7	3	6	1	15	10	PA66 13 UL94 V0 & GWT 750 NF	NATURAL	1	
4-2178412-7	3			15	10		NATURAL	1	
8-2178412-2	2			10	5		NATURAL	1	

UL94 V0 & GWT 750 NF											
2322917-4	4	4	0.5	20	15	PA66 13 UL94 V0 & GWT 750 NF	NATURAL	C			
2322917-2	2			10	5		NATURAL	C			
2315717-1	2			10	5		NATURAL	C			
2315717-2	2			10	5		NATURAL	C			
2315717-3	2			10	5		NATURAL	C			
1-2315717-2	2			10	5		NATURAL	1			
2-2315717-2	2			10	5		NATURAL	1			
2315717-4	4			20	15		NATURAL	C			
2315717-5	4			20	15		NATURAL	C			
2315717-6	3			15	10		NATURAL	C			
2315717-7	3			15	10		NATURAL	C			
1-2315717-3	3			15	10		NATURAL	E			
PART NO.	POS			DIM C	DIM D		DIMA	DIM B	MATERIAL	COLOUR	REV.

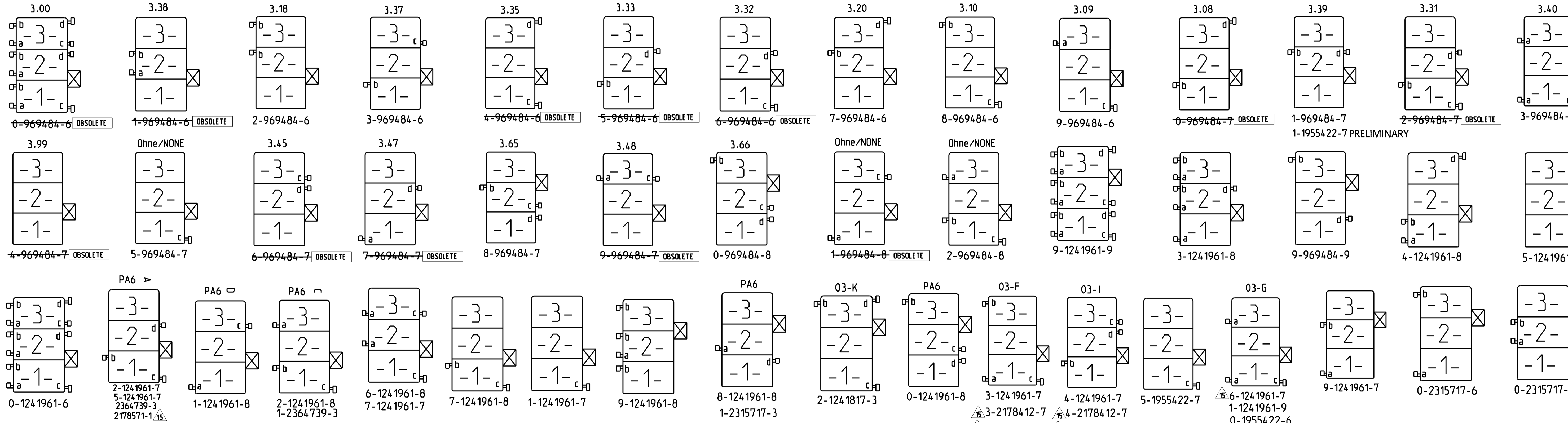
THIS DRAWING IS A CONTROLLED DOCUMENT.		Dwn: Kishor M. 18-10-07	 TE Connectivity NAME: STANDARD TIMER HSG. RAST 5 MARK II Standard Timer Gehäuse RAST 5 Mark II PRODUCT SPEC: 108-18049 APPLICATION SPEC:
DIMENSIONS: mm		Chr: K. Munz 18-10-07	
TOLERANCES UNLESS OTHERWISE SPECIFIED:		App: Th. Klöpper 18-10-07	
0 PLC ±0.2 1 PLC ±0.2 2 PLC ±0.2 3 PLC ±0.2 4 PLC ±0.2 ANGLES ±° FINISH -		RESTRICTED TO: - WEIGHT: - Customer Drawing	
MATERIAL: SEE TABLES. SHEETS PAGE 2 AND 3 OF 4		SCALE: 5:1	SIZE: A1 CAGE CODE: 00779 DRAWING NO: 1241961 SHEET: 3 OF 4 REV: E4

REVISONS		DATE	DRW	APVD
1	SEE SHEET-01			

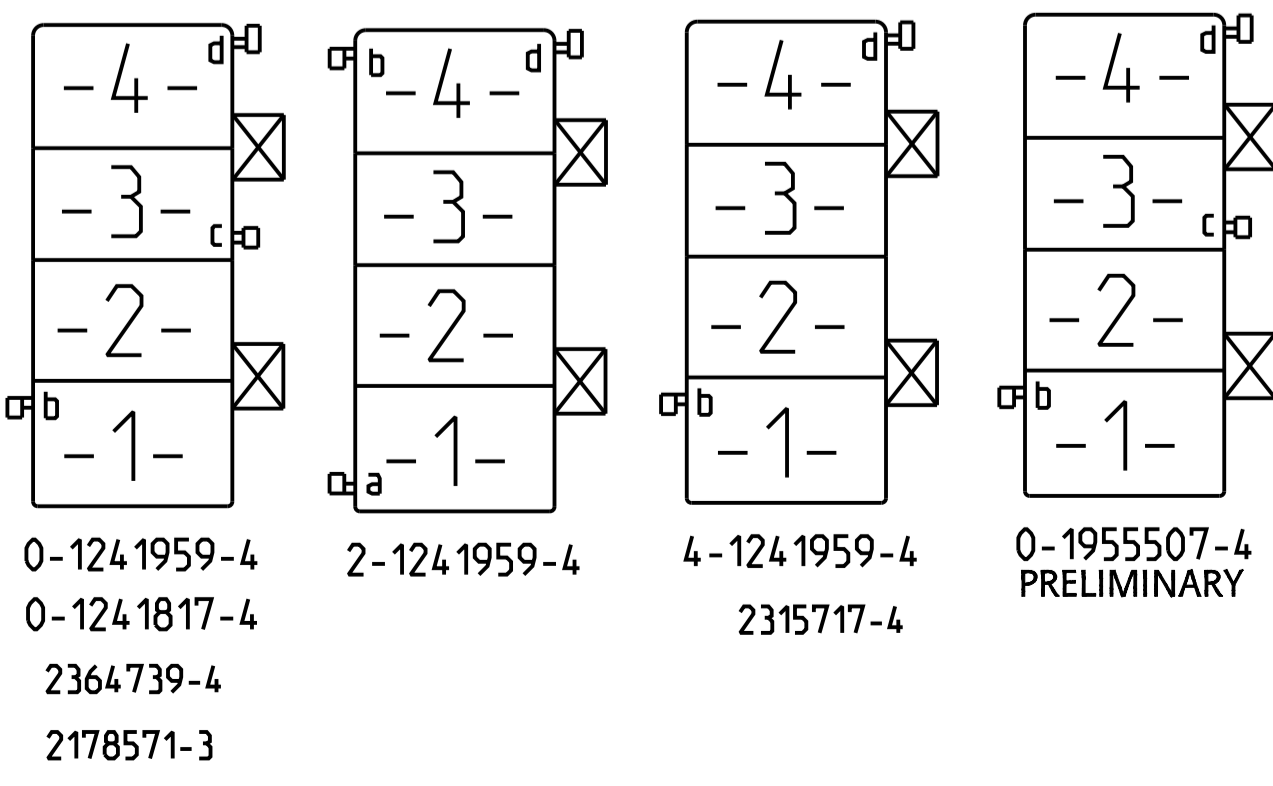
### 2 POSITION VARIANTS



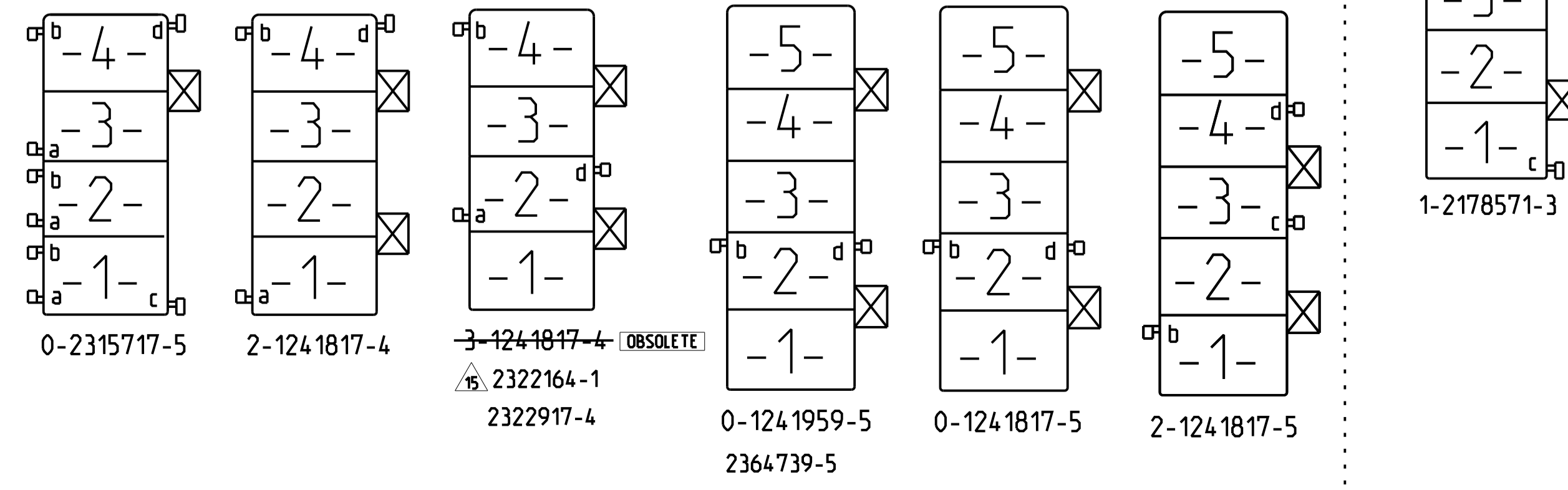
### 3 POSITION VARIANTS



### 4 POSITION VARIANTS



### 5 POSITION VARIANTS



THIS DRAWING IS A CONTROLLED DOCUMENT.		DRW: Kishor M. 18-10-07	 TE Connectivity	NAME: STANDARD TIMER HSG. RAST 5 MARK II
DIMENSIONS: mm		CHK: K. MURIZ 18-10-07		PRODUCT SPEC: 108-18049
TOLERANCES UNLESS OTHERWISE SPECIFIED:		APVD: T.K. Klenner 18-10-07	APPLICATION SPEC: -	RESTRICTED TO: -
MATERIAL: SEE TABLES. SHEETS PAGE 2 AND 3 OF 4		WEIGHT: -	SIZE: A1	DRAWING NO: 00779
SCALE: 5:1		SHEET 4 OF 6		REV: E4

## X-ON Electronics

Largest Supplier of Electrical and Electronic Components

*Click to view similar products for [Headers & Wire Housings](#) category:*

*Click to view products by [TE Connectivity](#) manufacturer:*

Other Similar products are found below :

[892-18-020-10-001101](#) [58102-G61-06LF](#) [582553-1](#) [0009485154](#) [009176003701906](#) [0050291907](#) [LY20-4P-DT1-P1E-BR](#) [02.125.8002.8](#)  
[609-3404](#) [61062-3](#) [61082-181009](#) [622-3653LF](#) [63453-116](#) [636-1030](#) [636-1427](#) [636-3427](#) [636-4007](#) [641938-9](#) [641991-4](#) [644827-2](#) [65817-](#)  
[010LF](#) [65817-015LF](#) [65863-015LF](#) [66207-023LF](#) [67095-007LF](#) [67601157](#) [68645-018](#) [68648-049](#) [70.362.1628.0](#) [70-4210](#) [70-4226B](#) [70-](#)  
[4853B](#) [707-5020](#) [707-5028](#) [71.350.2428.0](#) [71918-208LF](#) [71961-016LF](#) [733-134](#) [733-162](#) [754199-000](#) [760-3052](#) [79531-3000](#) [FCN-](#)  
[360C032-B](#) [FCN-367T-T012/H](#) [FCN-723D010/2](#) [80.063.4001.1](#) [800-90-010-10-002000](#) [801-43-002-10-013000](#) [801-43-006-10-002000](#)  
[801-93-011-10-001000](#)