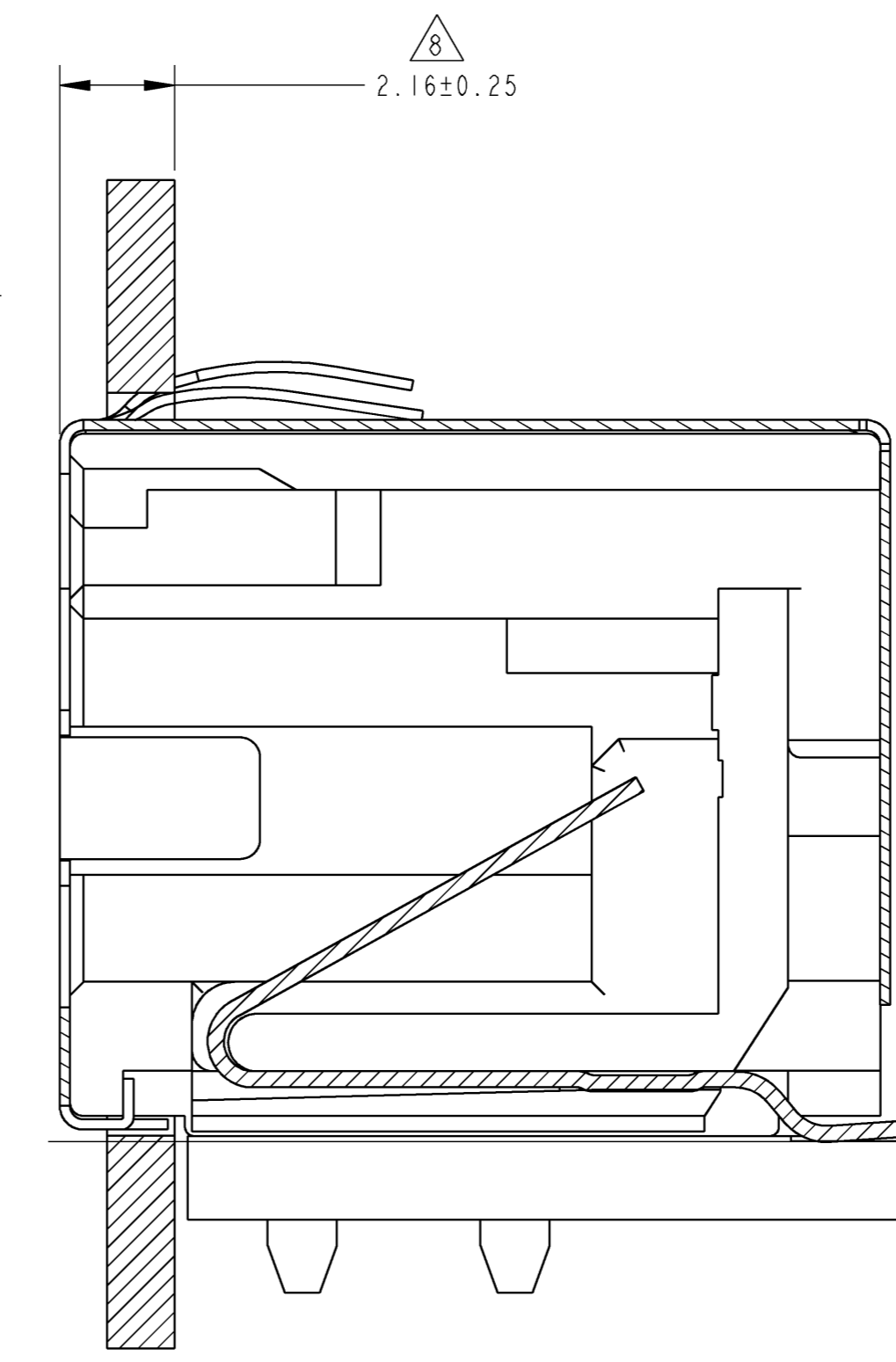
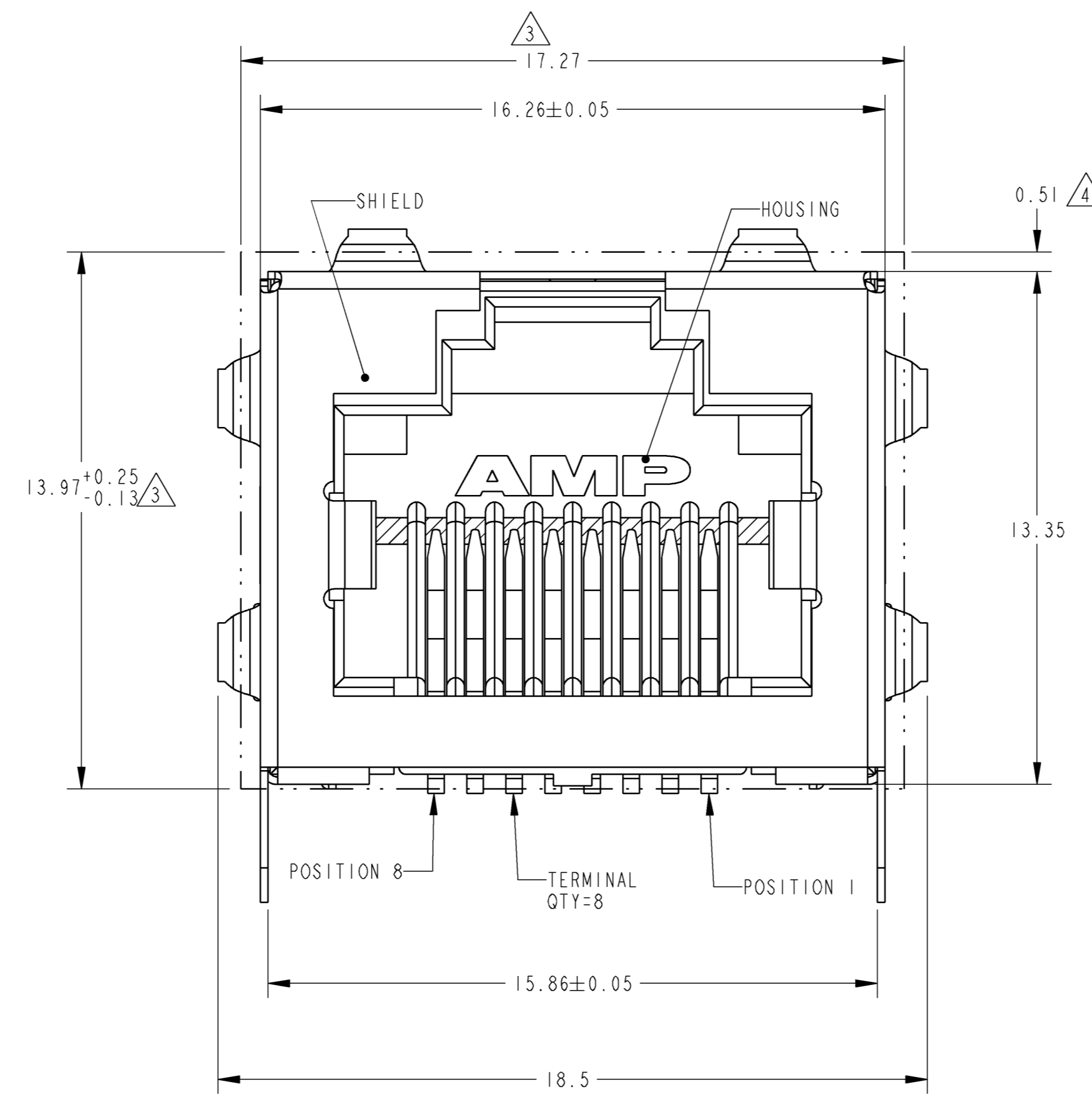
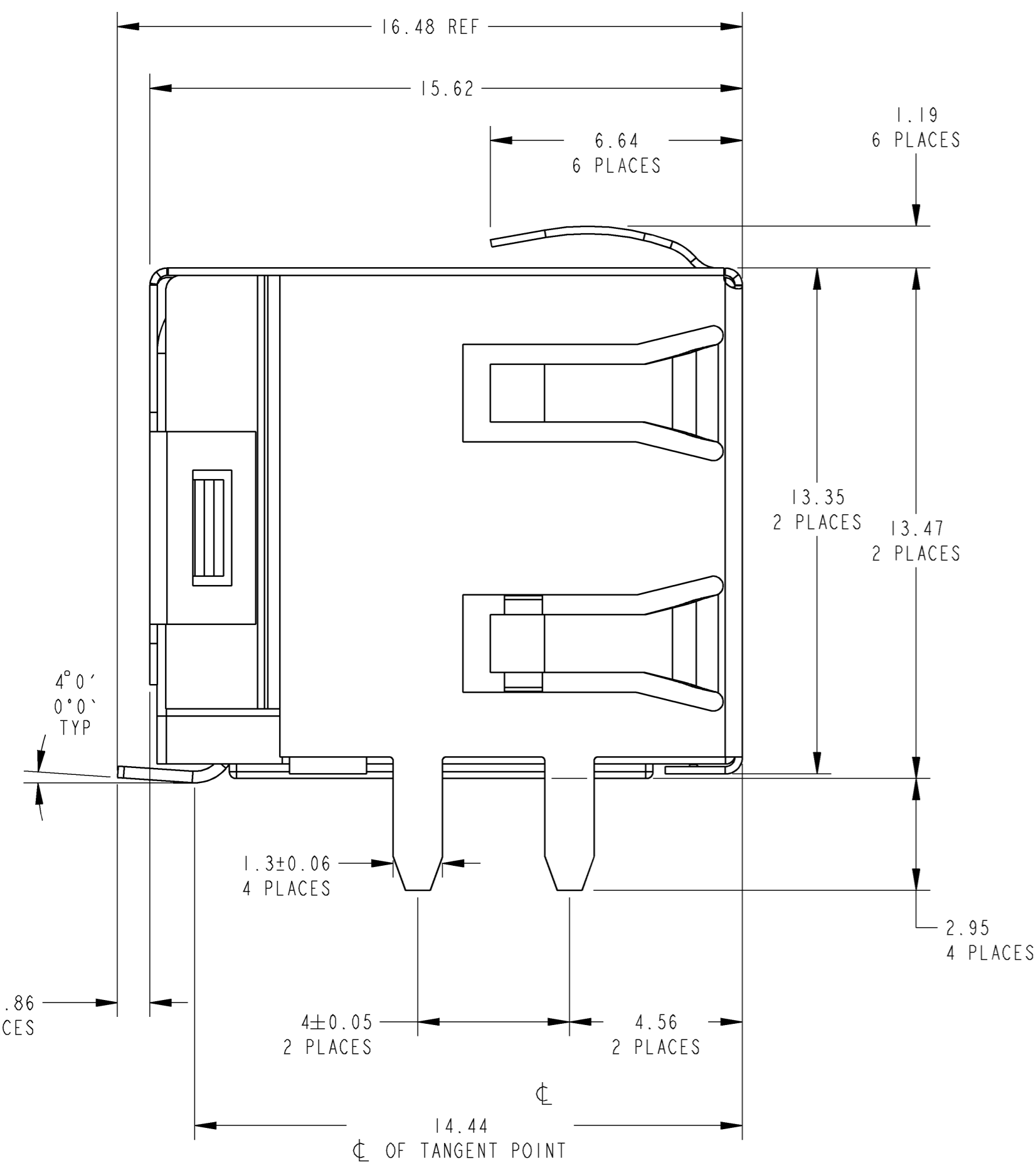
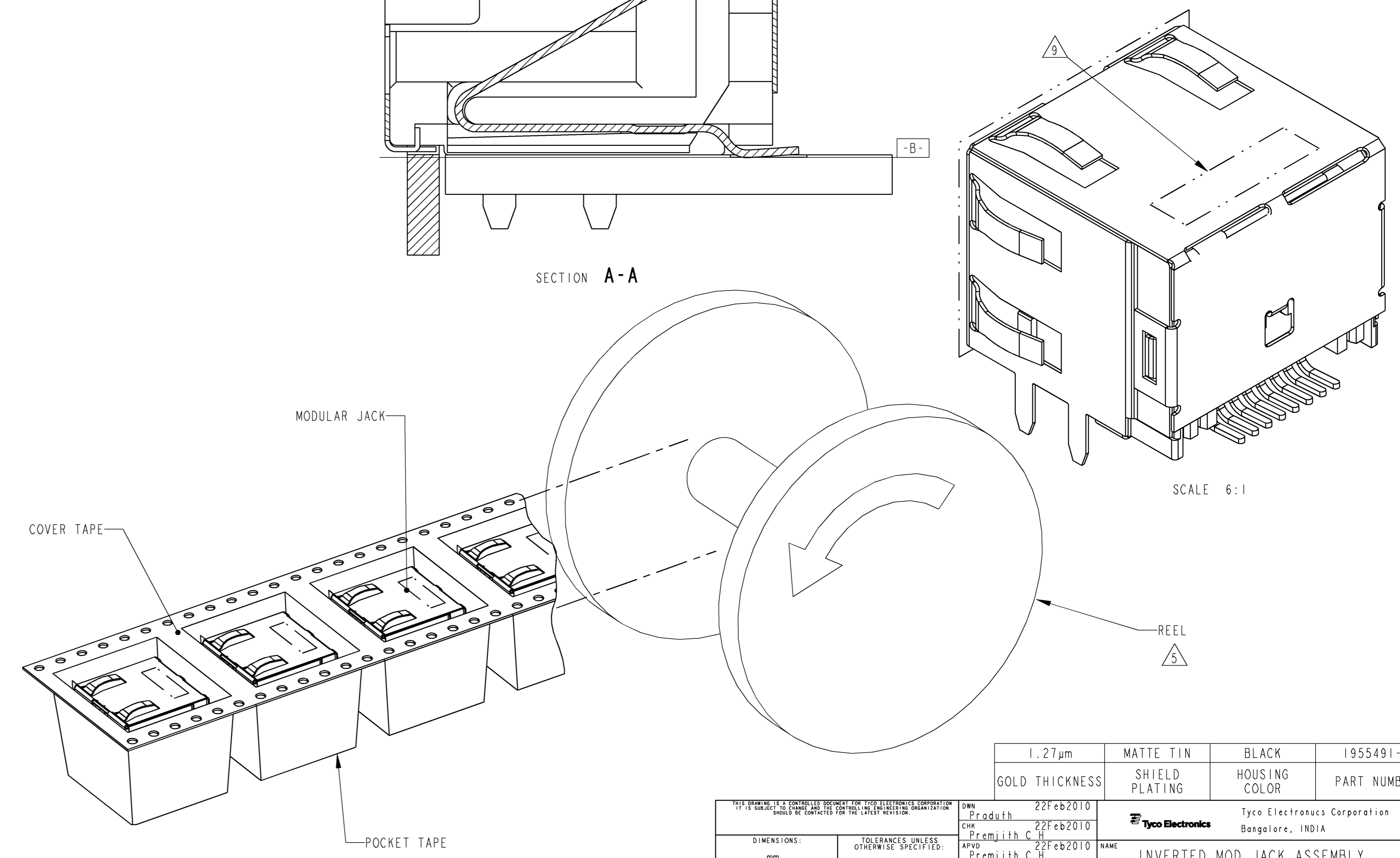
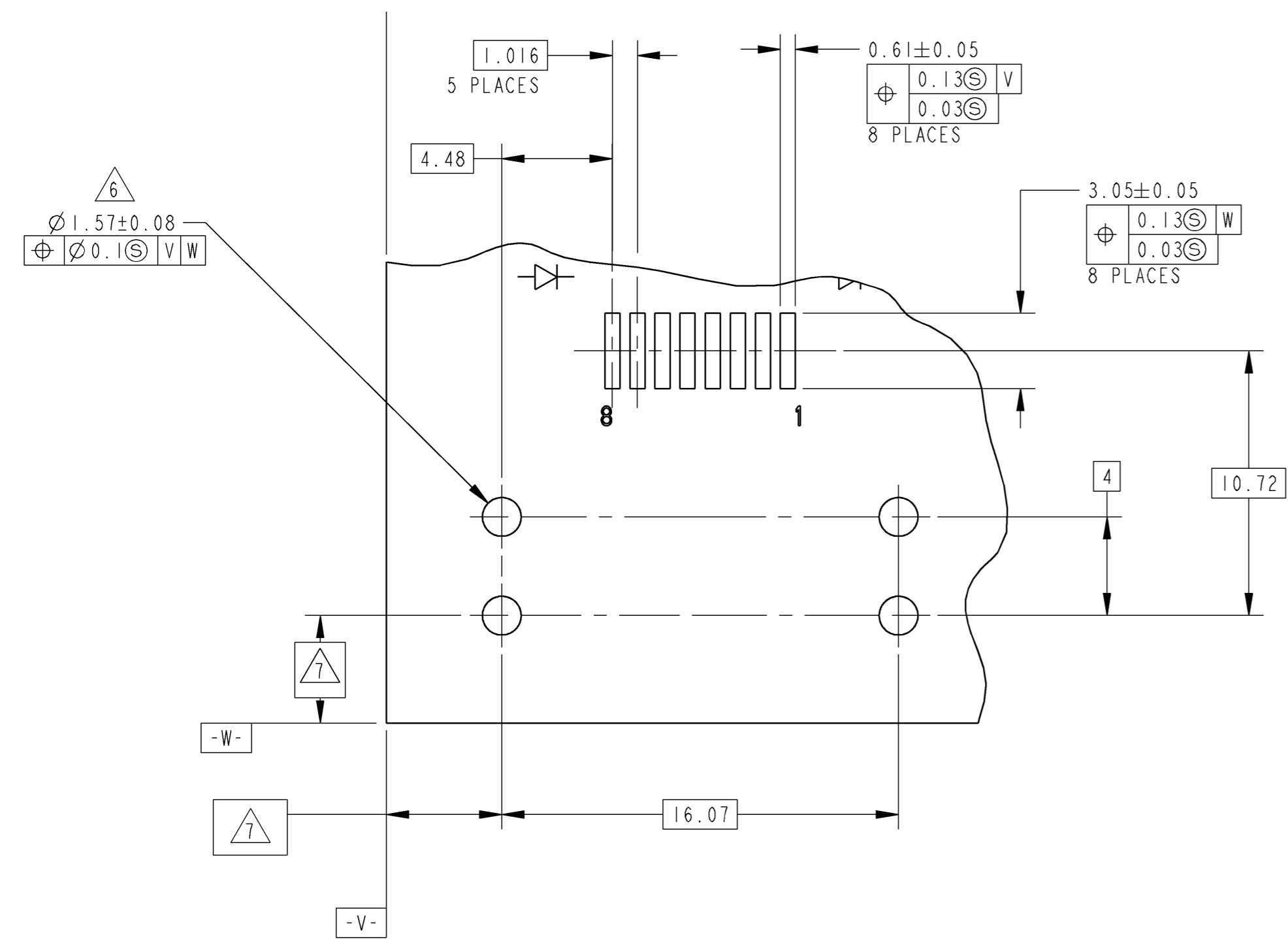


LOC	DIST	REV	DESCRIPTION	DATE	OWN	APVD
FK	-	A	Initial Release	22Feb2010	PS	PCH
-	-	-	-	-	-	-
-	-	-	-	-	-	-



- MATERIAL:  
 HOUSING - HIGH TEMP. THERMOPLASTIC, COLOR: SEE TABLE, UL94V-0.  
 TERMINALS - 0.30 THICK PHOS BRONZE PLATED WITH 2.03µm MIN THICK MATTE TIN IN SOLDER AREA.  
 GOLD (SEE TABLE) IN LOCALIZED PLATE AREA OVER 1.27µm MIN THICK NICKEL  
 SHIELD - (SEE TABLE) 0.196 THK BRASS PREPLATED WITH 2.03µm-3.81µm THICK MATTE TIN OVER 0.76µm-2.03µm NICKEL UNDERPLATE, OR 0.76-2.03µm NICKEL WITH SELECTIVE TIN PLATED SOLDER TABS
  - JACK CAVITY CONFORMS TO FCC RULES AND REGULATIONS PART 68, SUBPART F.
- 3 SUGGESTED PANEL OPENING DIMENSIONS. SEE APPLICATION SPEC. 114-2154 FOR PANEL THICKNESS AND POSITION RECOMMENDATIONS
- 4 SUGGESTED CLEARANCE BETWEEN TOP OF CONNECTOR AND TOP PANEL OPENING
- 5 PACKAGED: POCKET TAPE & REEL (PER EIA 481 SPECIFICATIONS)
- POCKET TAPE WIDTH - 56mm  
 POCKET PITCH - 28mm  
 POCKET DEPTH - 19mm
- CLEAR COVER TAPE, PSA  
 CLEAR COVER TAPE TRAILER - 1220mm, WRAPPED ON REEL HUB
- PLASTIC REEL - 380mm DIAMETER  
 PRODUCT QUANTITY - 180 PIECES PER REEL
- 6 ZERO INSERTION FORCE POST WITH RECOMMENDED PCB LAYOUT
- 7 DATUM ESTABLISHED BY CUSTOMER.
- 8 CONNECTOR SHOULD BE POSITIONED THRU PANEL CUTOUT AS SHOWN TO SUPPORT TOP OF MODULAR JACK FOR STRAIN RELIEF.
- 9 MANUFACTURING DATE CODE LOCATED APPROXIMATELY AS SHOWN. FIRST 2 DIGITS ARE YEAR, SECOND 2 DIGITS ARE WORK WEEK, LAST DIGIT IS THE DAY OF THE WEEK



1.27µm	MATTE TIN	BLACK	1955491-1
GOLD THICKNESS	SHIELD PLATING	HOUSING COLOR	PART NUMBER
DIMENSIONS:		TOLERANCES UNLESS OTHERWISE SPECIFIED:	
mm	0 PLC ±	1 PLC ±	25
	3 PLC ±	4 PLC ±	
	ANGLES	FINISH	SEE NOTE 1
MATERIAL	SEE NOTE 1	WEIGHT	
FINISH	SEE NOTE 1	CUSTOMER DRAWING	
DATE	22Feb2010	CHK	Praduth
APVD	Premith C H	NAME	INVERTED MOD JACK ASSEMBLY, SHIELDED SMT, THRU HOLE SHIELD TABS 8 POSITION RJ45
PRODUCT SPEC	108-1163-7	APPLICATION SPEC	114-6040
SIZE	CAGE CODE	DRAWING NO	RESTRICTED TO
A	00779	1955491	
SCALE 8:1		SHEET 1	REV A

## X-ON Electronics

Largest Supplier of Electrical and Electronic Components

*Click to view similar products for [Modular Connectors / Ethernet Connectors](#) category:*

*Click to view products by [TE Connectivity](#) manufacturer:*

Other Similar products are found below :

[8949-H88/06BLKA/SN](#) [74441-0010/BKN](#) [MP1010RX-1000](#) [MP44RX-1000](#) [PHJ-4P4C-1-V-4](#) [PHP-6P6C-5](#) [GAX-3-66](#) [GAX-8-62](#) [GDCX-PA-66-50](#) [GDCX-PN-64](#) [GDCX-PN-66](#) [GDCX-PN-66-50](#) [GDLX-A-66](#) [GDLX-N-66](#) [GDLX-S-66](#) [GDLX-S-88K](#) [GDTX-S-88-50](#) [GDX-PA-1010](#) [GLX-N-1010M-BLK](#) [GLX-S-88M-BLK](#) [GMX-N-1010](#) [GMX-S-1010](#) [GMX-S-66](#) [GMX-SMT4-N-88](#) [GPX-2-64](#) [GSGX-N-2-88](#) [GSGX-N-4-88](#) [GSX-NS2-88-3.05](#) [GSX-NS2-88-3.05-50](#) [GSX-NS-88-3.05-50](#) [PT-108A-8C-UL](#) [PT-J951-8C](#) [PTS-J531-8CS-50UL](#) [1-1775629-2](#) [A-2014-0-4](#) [GWLX-S-88-GR](#) [GWLX-S9-88-YG](#) [DC-1021-8-WH-6](#) [1300530003](#) [1324640-4](#) [RJ11FTVC2G](#) [RJ11FTVC2N](#) [RJFTVX2SA1G](#) [132764-001](#) [1413235](#) [MP88X-1000](#) [MPS88RX-5000](#) [E5288-S000K3-L](#) [E5908-15A242-L](#) [155302-001](#)