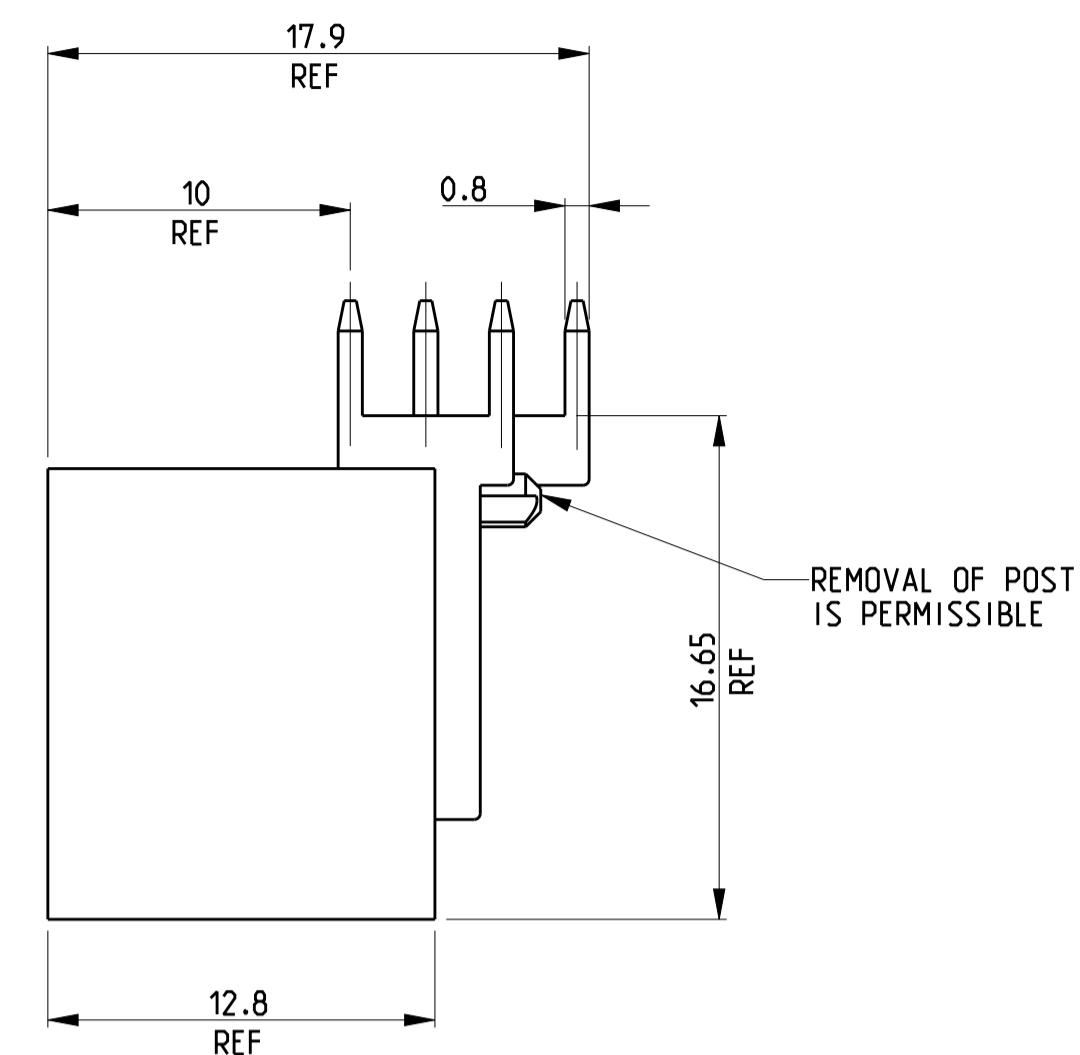
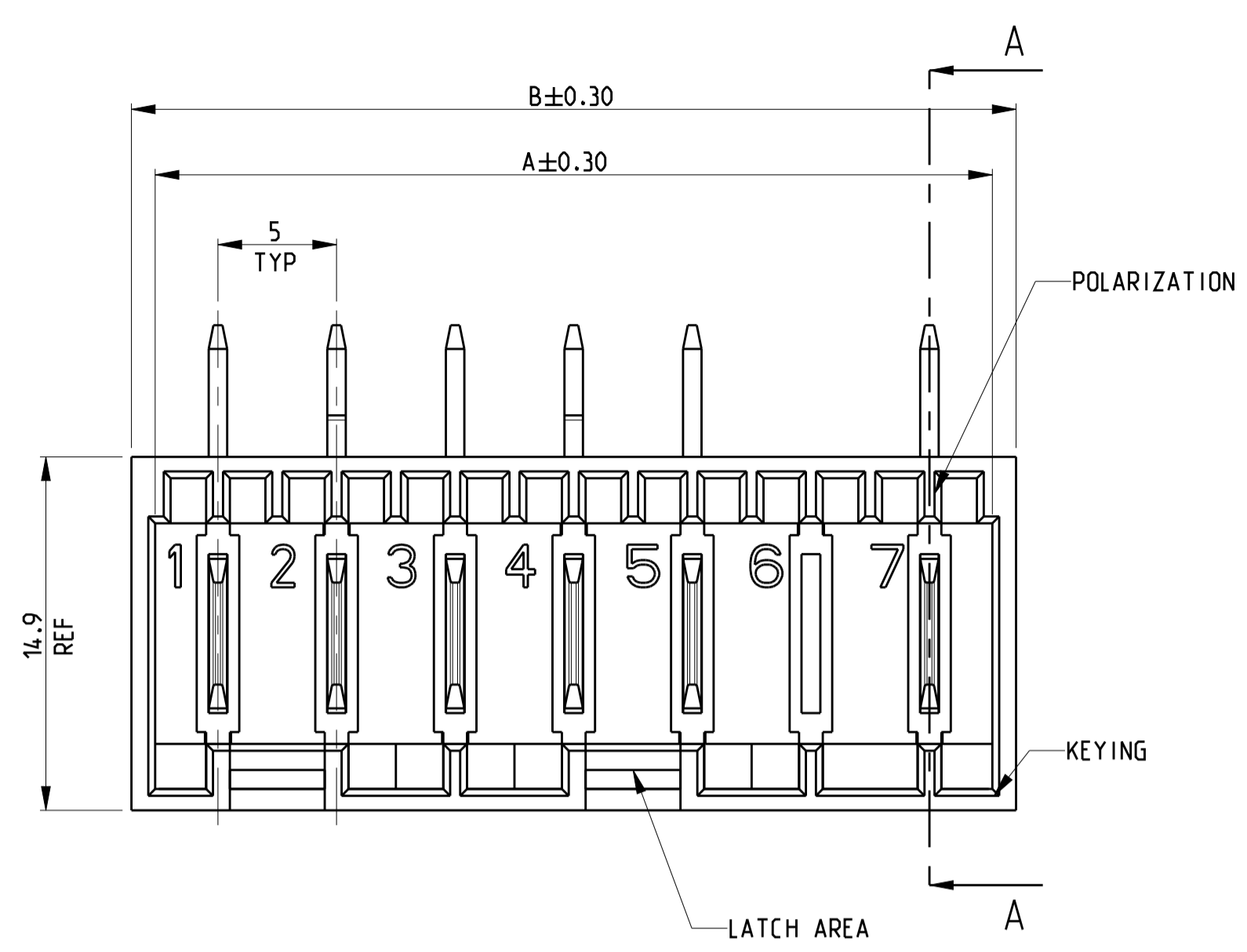
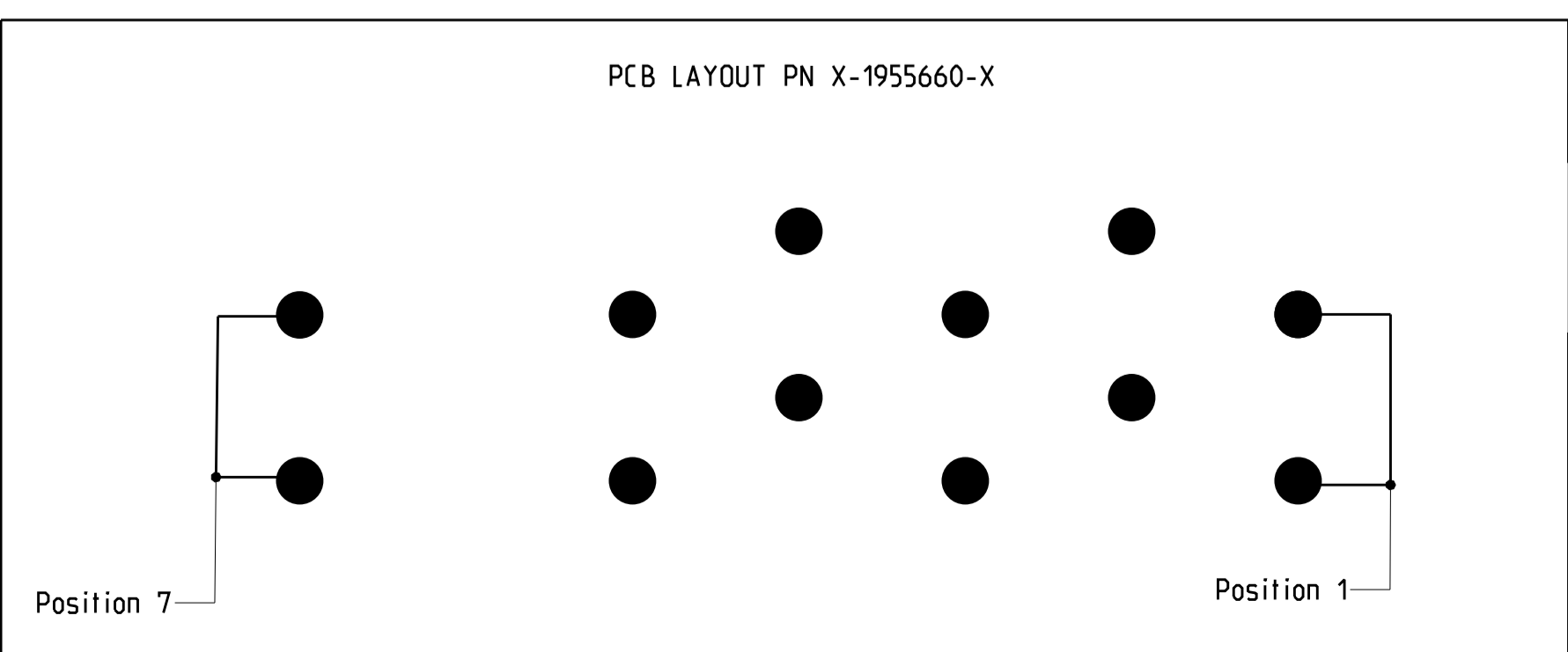
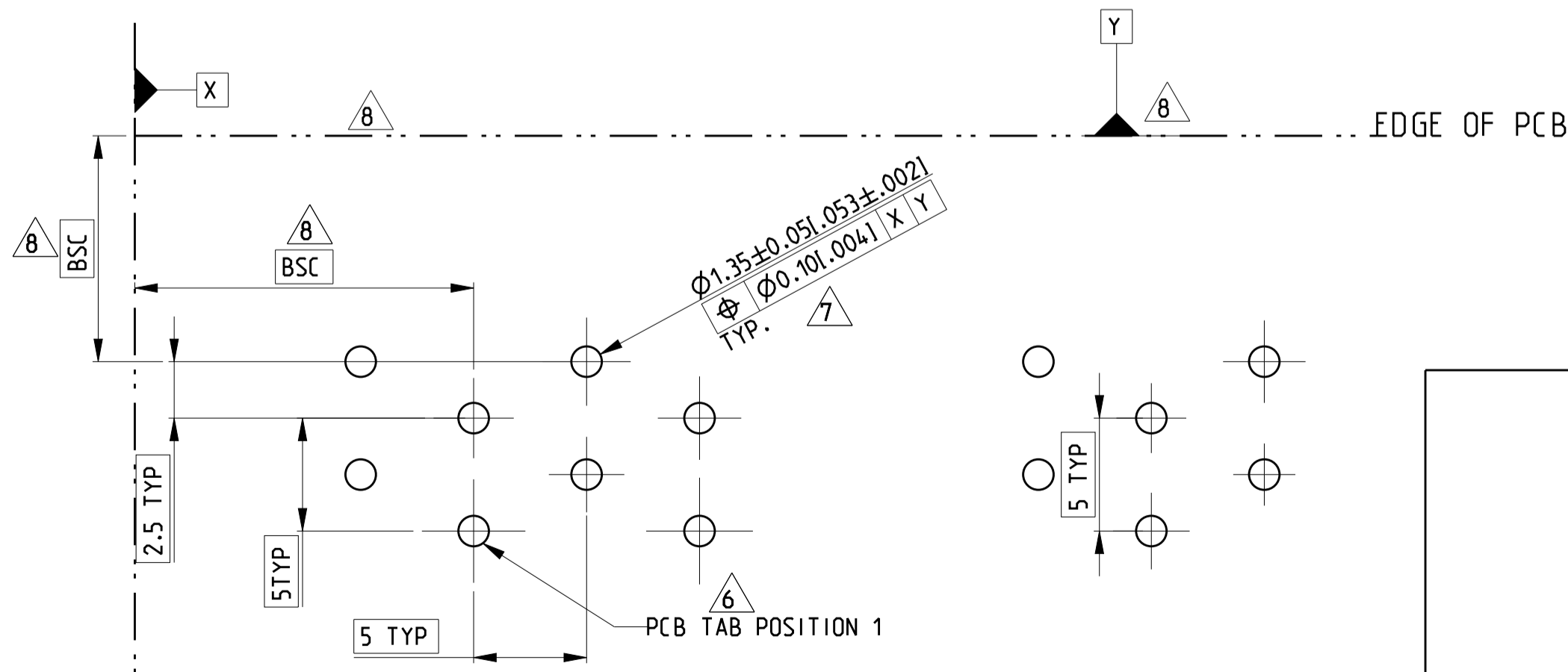
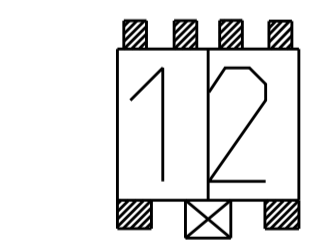
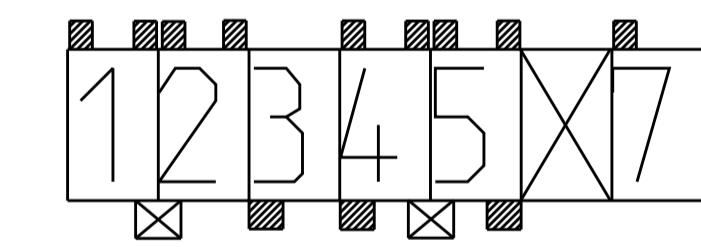
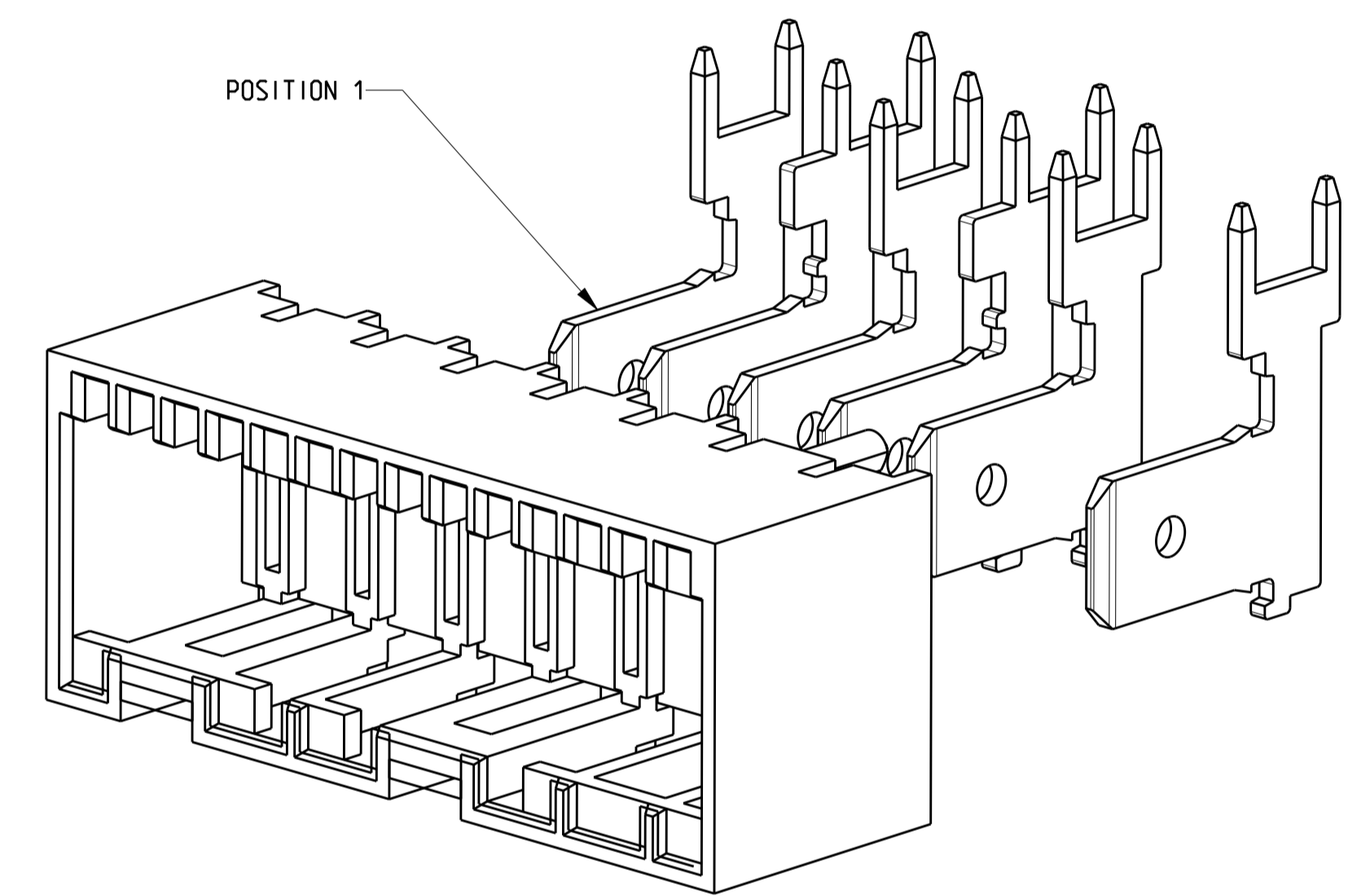
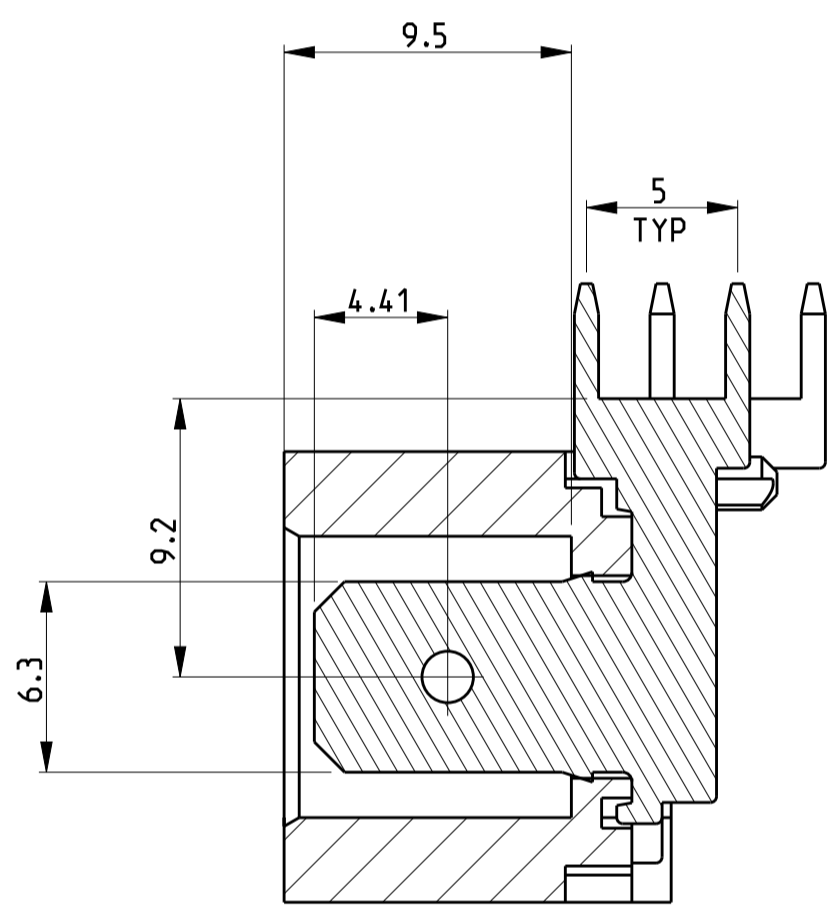
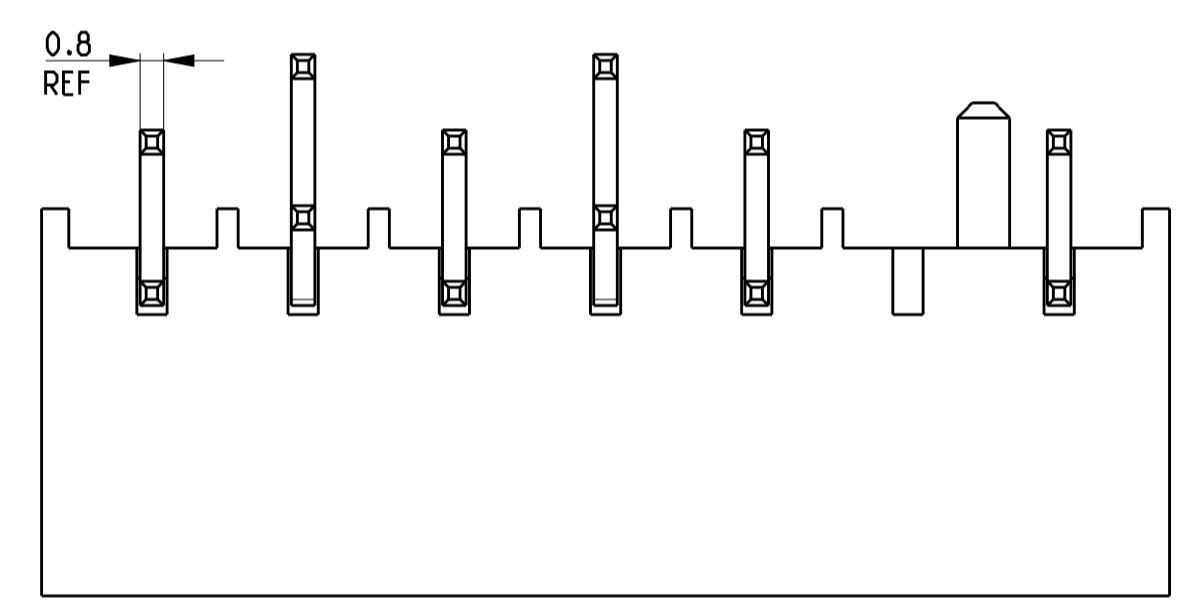


LOC		DIST		REVISIONS			
P	LTR	DATE	BY	CHK	APPV		
A1		05DEC2012	C.J			R.P	
A2		06MAY2016	SS			RR	
A3		30AUG2016	KD			RR	
A4		14JUN2017	KD			RR	



- HOUSING HAS RAST 5 COMPLIANT KEYING, LATCHING, AND POLARIZATION. TAB IS 6.3 x 0.8 (1.250 x .032) ACCORDING TO DIN 46244.
- POSSIBLE MATING CONNECTOR FAMILIES INCLUDE STANDARD TIMER RAST 5, MULTIFITTING, MULTIFITTING MK11, AND MONO-SHAPE TAB CONNECTORS.
- SEE SHEET 1 FOR AVAILABLE CONFIGURATIONS.
- MATERIAL: HOUSING, PA6 NYLON, UL 94V-2. CONTACT, BRASS, 0.8 mm THICK.
- FINISH: CONTACTS, 3.8 µm MIN TIN OVER 1.3 µm MIN NICKEL BEFORE INSERT HOUSING
- SELECTIVE CONTACT LOADING
- SELECTED HOLES MAY BE 1.05+0.05/-0.00 DIA (1.041+.002/-0.001 DIA) FOR IMPROVED (PRESS-FIT) RETENTION TO P.C.B. PRIOR TO SOLDERING.
- DATUM AND BASIC DIMENSION ESTABLISHED BY CUSTOMER
- PRODUCT QUALIFICATION PER 108-2183
- GWT (GLOW WIRE TEST) 750°C WITHOUT FLAME. NOTE TO CUSTOMER TESTING PENDING. THE SHROUD USED ON THESE ASSEMBLIES PASSED THIS REQUIREMENT ON P/N 521971. VDE REG - NR 6718
- PRELIMINARY - NOT FOR PRODUCTION



CAVITY WITHOUT CONTACT		LATCH WINDOWS		KEYING		POLAR.		NO. OF POS.		RAST 5 DESIG.		PART NUMBER	
6	1/2, 4/5	3c, 4c, 5d	1a, 1b, 2a, 2b, 4a, 4b, 5a, 5b, 7a	7	--	1955660-7		37.3	35.3	7			
-	1/2	1c, 2d	1a, 1b, 2a, 2b	2	--	1955660-2		12.3	10.3	2			
				B	A	NO. OF POS.							

DIMENSIONS: mm [INCHES]		TOLERANCES UNLESS OTHERWISE SPECIFIED:		DWN: C. CHETHAN, J. 06JUN2012		CHK: RAJENDRA, PAI 06JUN2012		APVD: KLENNER, THOMAS 06JUN2012		NAME: ASSEMBLY, DIN, RAST 5 HEADER, RIGHT ANGLE, GWT		RESTRICTED TO	
0 PLC	±0.251 (010)	0	±0.251 (010)	PRODUCT SPEC		108-2183		APPLICATION SPEC		SIZE: A1		CAGE CODE: 00779	
1 PLC	±0.251 (010)	1	±0.251 (010)	WEIGHT		-		SCALE: 4:1		SHEET: 1 OF 1		REV: A4	
2 PLC	±0.251 (010)	2	±0.251 (010)	MATERIAL		-		Customer Drawing					
3 PLC	±0.251 (010)	3	±0.251 (010)	FINISH		-							
4 PLC	±0.251 (010)	4	±0.251 (010)										
5 PLC	±0.251 (010)	5	±0.251 (010)										
6	±0.251 (010)	6	±0.251 (010)										
7	±0.251 (010)	7	±0.251 (010)										

X-ON Electronics

Largest Supplier of Electrical and Electronic Components

Click to view similar products for [Headers & Wire Housings](#) category:

Click to view products by [TE Connectivity](#) manufacturer:

Other Similar products are found below :

[892-18-020-10-001101](#) [58102-G61-06LF](#) [582553-1](#) [0009485154](#) [009176003701906](#) [0050291907](#) [LY20-4P-DT1-P1E-BR](#) [02.125.8002.8](#)
[609-3404](#) [61062-3](#) [61082-181009](#) [622-3653LF](#) [63453-116](#) [636-1030](#) [636-1427](#) [636-3427](#) [636-4007](#) [641938-9](#) [641991-4](#) [644827-2](#) [65817-](#)
[010LF](#) [65817-015LF](#) [65863-015LF](#) [66207-023LF](#) [67095-007LF](#) [67601157](#) [68645-018](#) [68648-049](#) [70.362.1628.0](#) [70-4210](#) [70-4226B](#) [70-](#)
[4853B](#) [707-5020](#) [707-5028](#) [71.350.2428.0](#) [71918-208LF](#) [71961-016LF](#) [733-134](#) [733-162](#) [754199-000](#) [760-3052](#) [787-8014-00](#) [79531-3000](#)
[FCN-360C032-B](#) [FCN-367T-T012/H](#) [FCN-723D010/2](#) [80.063.4001.1](#) [800-90-001-10-001000](#) [800-90-010-10-002000](#) [801-43-002-10-013000](#)