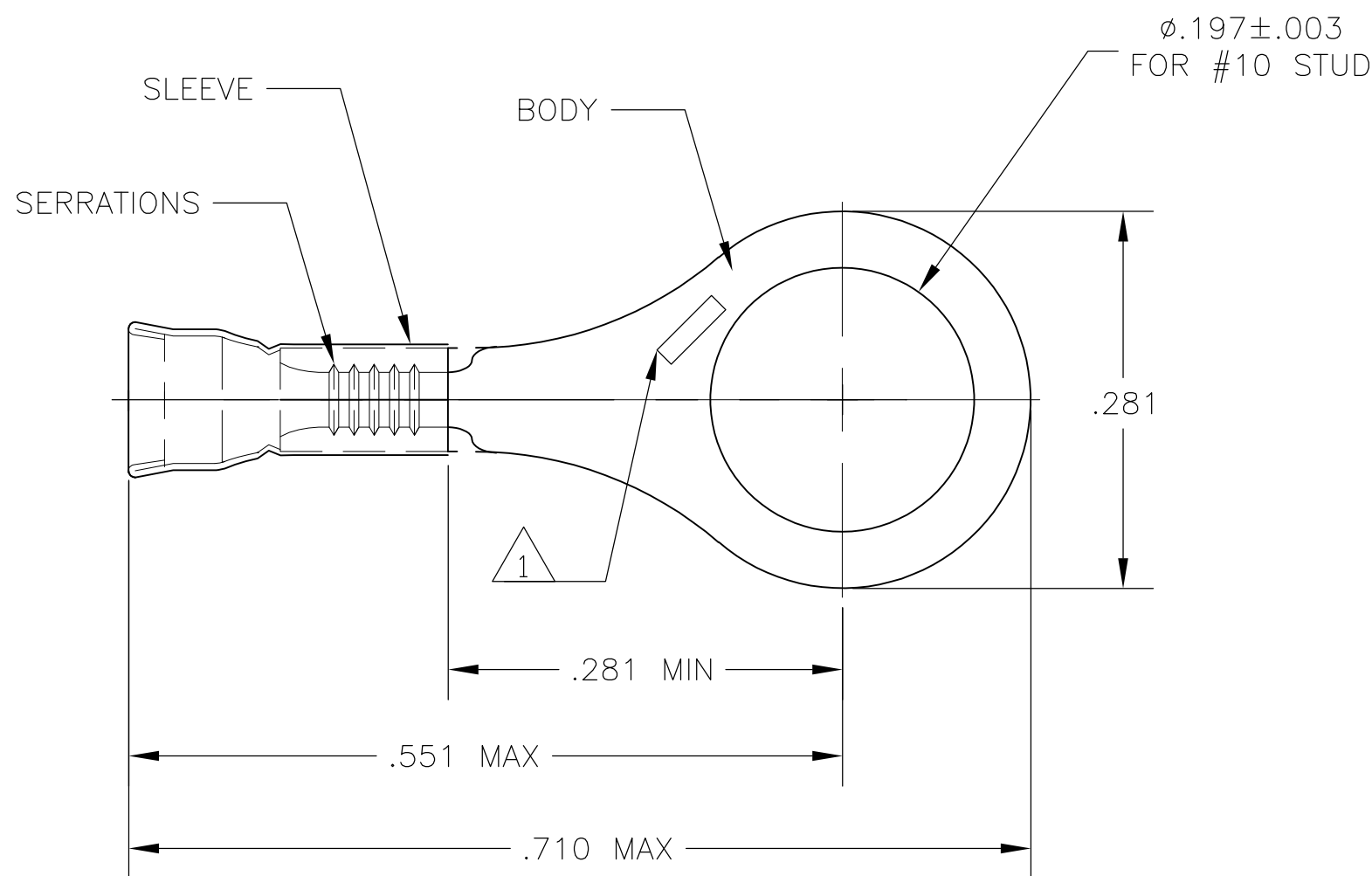


THIS DRAWING IS UNPUBLISHED. RELEASED FOR PUBLICATION
 © COPYRIGHT BY TYCO ELECTRONICS CORPORATION. ALL RIGHTS RESERVED.

LOC	DIST	REVISIONS					
		P	LTR	DESCRIPTION	DATE	DWN	APVD
G	14		A	REL PER ECR 08-001116	15JAN08	JR	MS



- 1 STAMP AMP, LOCATE APPROX AS SHOWN.
- 2 WIRE INSULATION DIA .050-.082.
- 3 TONGUE MATL THK .018±.002
- 4 MATERIAL:
 BODY - COPPER PER ASTM B-152
 SLEEVE - COPPER PER ASTM B-152
- 5 FINISH:
 BODY, TIN-LEAD 60/40, .000300 MIN THK
 SLEEVE, TIN-LEAD 60/40, .000300 MIN THK
- 6 MAXIMUM RECOMMENDED OPERATING TEMP 170°C MAX
- 7 CIRCULAR MIL AREA:
 0.10mm-0.41mm² [202-810], STRANDED WIRE

1000	LOOSE PIECE	1958074-1
QTY	PACKAGE TYPE	PART NO

THIS DRAWING IS A CONTROLLED DOCUMENT.		DWN jr_ruth 15JAN07	Tyco Electronics Corporation Harrisburg, PA 17105-3608				
DIMENSIONS: INCHES		CHK M SPICER 15JAN07					
		APVD M SPICER 15JAN07	NAME TERMINAL, RING, DIAMOND GRIP, WIRE SIZE 26-22 AWG				
TOLERANCES UNLESS OTHERWISE SPECIFIED:		PRODUCT SPEC	-				
0 PLC ± - 1 PLC ± - 2 PLC ± - 3 PLC ± .008 4 PLC ± - ANGLES ± 5°		APPLICATION SPEC	-				
MATERIAL	4	WEIGHT	SIZE A3	CAGE CODE 00779	DRAWING NO G-1958074	RESTRICTED TO	-
FINISH		5	CUSTOMER DRAWING		SCALE 8:1	SHEET 1 OF 1	REV A

X-ON Electronics

Largest Supplier of Electrical and Electronic Components

Click to view similar products for [Terminals](#) category:

Click to view products by [TE Connectivity](#) manufacturer:

Other Similar products are found below :

[00-054007-01074-6](#) [00-054007-70206-1](#) [00-054007-70210-8](#) [00-054007-70217-7](#) [00-054007-70226-9](#) [00-054007-70228-3](#) [00-054007-70248-1](#) [00-054007-70256-6](#) [00-054007-70301-3](#) [00-054007-70316-7](#) [0-0320562-0](#) [00-054007-49560-4](#) [00-054007-70209-2](#) [00-054007-70225-2](#) [00-054007-70227-6](#) [00-054007-70231-3](#) [00-054007-70241-2](#) [00-054007-70242-9](#) [00-054007-70244-3](#) [00-054007-70246-7](#) [00-054007-70263-4](#) [00-054007-70288-7](#) [00-054007-70290-0](#) [00-054007-70300-6](#) [00-054007-70304-4](#) [01-2065-1-0216](#) [01-2900-1-04412](#) [00581P0075](#) [600TS-10](#) [60205-1](#) [604200-1](#) [605601-1](#) [60598-1-CUT-TAPE](#) [61314-6-C](#) [61810-3](#) [61-S](#) [61-SN](#) [626-0194](#) [62-NBM-A](#) [62-SN](#) [62-SP](#) [63-S](#) [640179-1](#) [M55155/059I03](#) [M55155/079C01](#) [M55155/099H02](#) [M55155/109H01](#) [M55155/109H02](#) [M55155/12XH05](#) [M55155/16XH02](#)