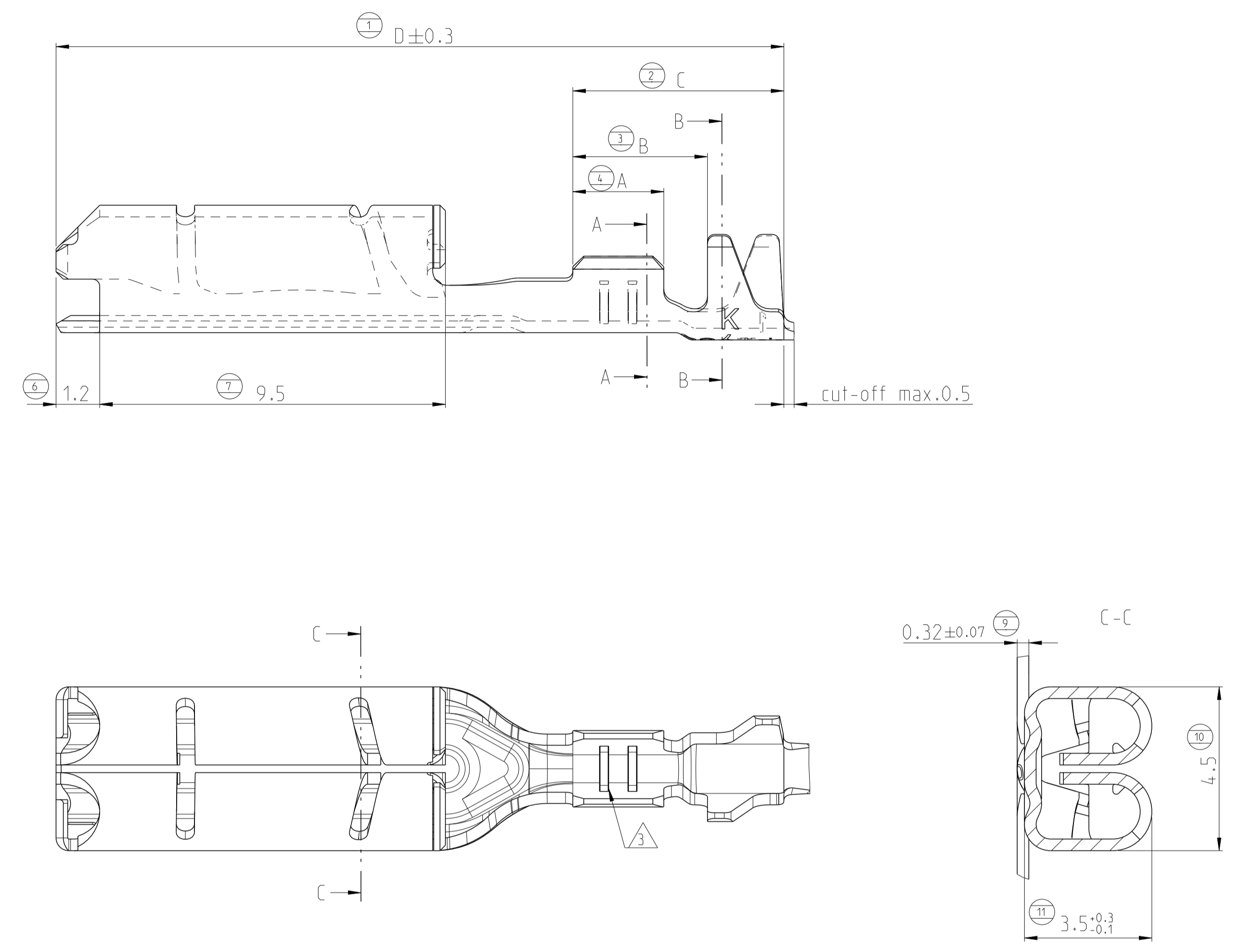


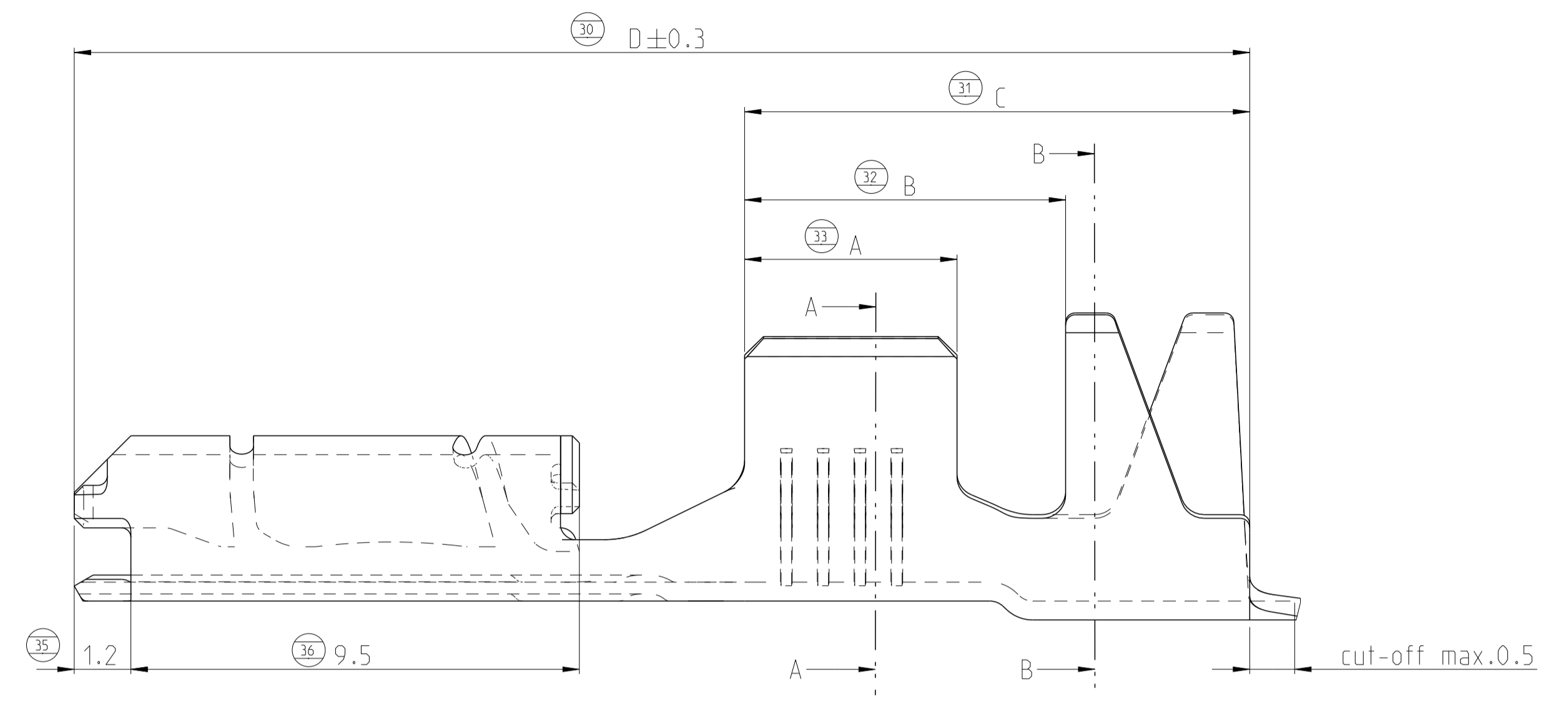
LOC		DIST		REVISIONS			
P	LTN	DATE	DWN	APVD			
A	NEW DRAWING	13MAY2013	MP	PSI			

VERSION A

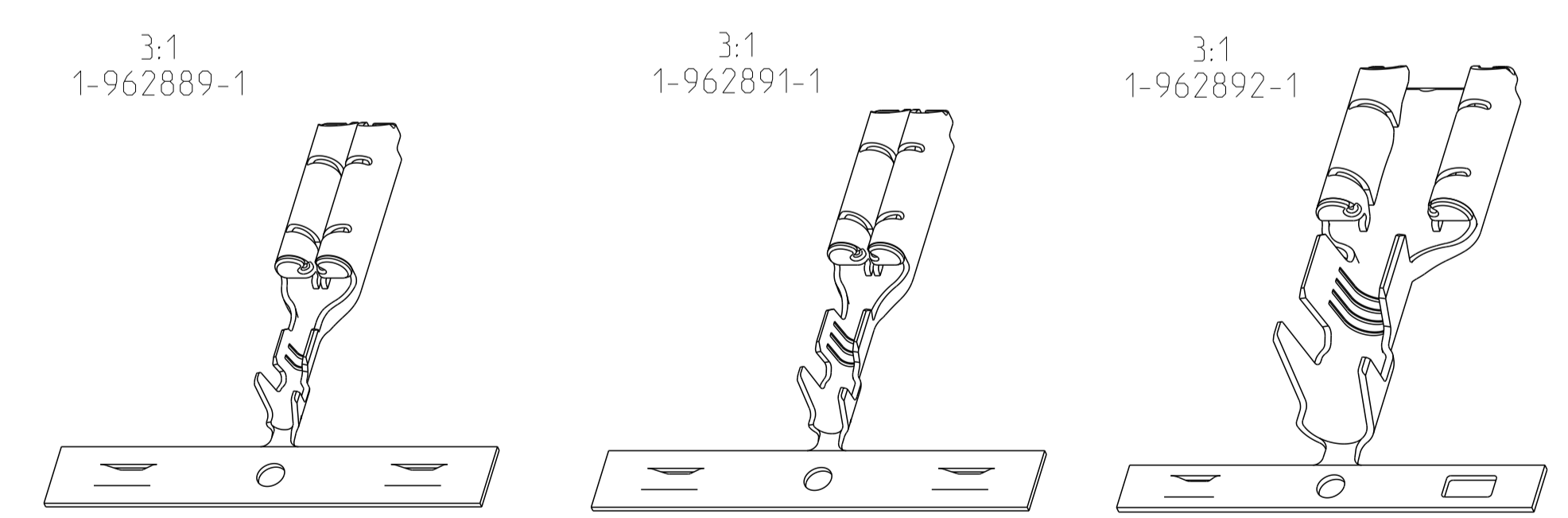
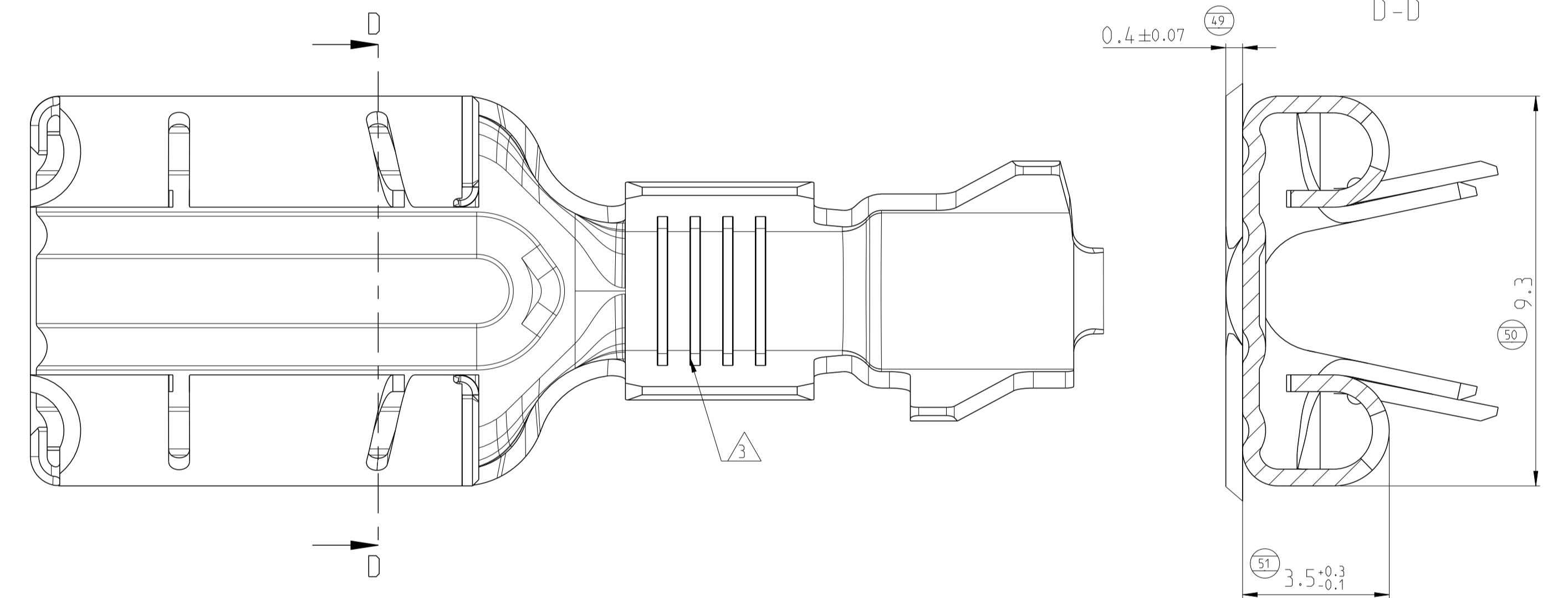


1-962889-1 AS SHOWN  
wie gezeichnet

VERSION B



1-962892-1 AS SHOWN  
wie gezeichnet



- Einzelheiten der Ausführung bleiben dem Hersteller überlassen  
DETAILS OF DESIGN ARE LEFT TO MANUFACTURER
  - Nur für FLR-Leitung nach DIN 72551-6  
FOR FLR-CONDUCTOR ACCORDING TO DIN 72551-6 ONLY
  - Passend zu Kammverbinder  
SUITABLE FOR BRANCHCONNECTOR
- 3 Anzahl der Serration  
NUMBER OF SERRATION

A	B	TE	BESTELL-NR. ORDER NO.	REV.	Einzelansicht LOOSE PIECE TE-BESTELL-NR. TE-ORDER-NO.	DGB WIRE-SIZE-RANGE [mm <sup>2</sup> ]	Isolations Ø INSULATION Ø [mm]	Material MATERIAL	Länge LENGTH	Drahtcrimp WIRE CRIMP	Iso'crimp INSU.CRIMP	Gramm lgf Gewicht/WEIGHT	3
X			1-962892-1	D	1-963762-1	4.0 - 6.0 FLR	3.2 - 4.3	CuNiSi	A = 4.5 B = 6.8 C = 10.7 D = 24.9	E = 5.2 G = 5.6 D <sub>gr</sub> 2.9	H = 6.2 K = 6.5 D <sub>gr</sub> 3.8	1.3	4
X			1-962891-1	E	1-963761-1	1.5 - 2.5 FLR	2.1 - 3.0	CuNiSi	A = 3.6 B = 5.2 C = 8.25 D = 22.45	E = 3.6 G = 3.8 D <sub>gr</sub> 1.7	H = 4.3 K = 4.5 D <sub>gr</sub> 2.6	0.7	3
X			1-962890-1	G	1-963760-1	0.75 - 1.0 FLR	1.4 - 2.1	CuNiSi	A = 3.0 B = 4.6 C = 7.0 D = 21.2	E = 2.6 G = 2.8 D <sub>gr</sub> 1.2	H = 3.2 K = 3.4 D <sub>gr</sub> 1.8	0.6	3
X			1-962889-1	K	1-963759-1	0.2 - 0.5 FLR	1.15 - 1.6	CuSn4	A = 2.5 B = 3.7 C = 5.8 D = 20	E = 2.1 G = 2.1 D <sub>gr</sub> 0.8	H = 2.9 K = 2.9 D <sub>gr</sub> 1.4	0.6	2

THIS DRAWING IS A CONTROLLED DOCUMENT. DIMENSIONING AND TOLERANCING PER GPS (ISO STANDARDS)

OWNER: M. Pavlicek 13MAY2013  
 CHK: L. Fendrych 17MAY2013  
 APVD: P. Straka 17MAY2013

TE Connectivity

NAME: LOCKING TAB REC. 3.3/8.1  
 Flaschsteckhülse 3.3/8.1

SIZE: A1  
 CAGE CODE: 00779  
 DRAWING NO: 929455

RESTRICTED TO: -  
 SCALE: 5:1  
 SHEET: 1 OF 1  
 REV: A

## X-ON Electronics

Largest Supplier of Electrical and Electronic Components

*Click to view similar products for [Terminals category](#):*

*Click to view products by [TE Connectivity manufacturer](#):*

Other Similar products are found below :

[00-054007-01074-6](#) [00-054007-70206-1](#) [00-054007-70210-8](#) [00-054007-70217-7](#) [00-054007-70228-3](#) [00-054007-70256-6](#) [00-054007-70316-7](#) [00-054007-49560-4](#) [00-054007-70209-2](#) [00-054007-70231-3](#) [00-054007-70241-2](#) [00-054007-70242-9](#) [00-054007-70246-7](#) [00-054007-70263-4](#) [00-054007-70288-7](#) [00-054007-70290-0](#) [00-054007-70300-6](#) [00-054007-70304-4](#) [01-2900-1-04412](#) [00581P0075](#) [600TS-10](#) [605601-1](#) [60598-1-CUT-TAPE](#) [60617-1-C](#) [61314-6-C](#) [61810-3](#) [62149-1](#) [626-0194](#) [63-S](#) [M55155/059I03](#) [M55155/079C01](#) [M55155/099B03](#) [M55155/099H02](#) [M55155/109H01](#) [M55155/12XH05](#) [M55155/29-5S](#) [M55155/29XJ08](#) [M55155/30-6S](#) [M55155/30-9S](#) [M55155/30XI09](#) [M6-14RSX](#) [696683-1](#) [696861-1](#) [696999-1](#) [M86700006](#) [D18-110B-C](#) [D18-110B-M](#) [701-1936](#) [701-1955](#) [701-2003](#)