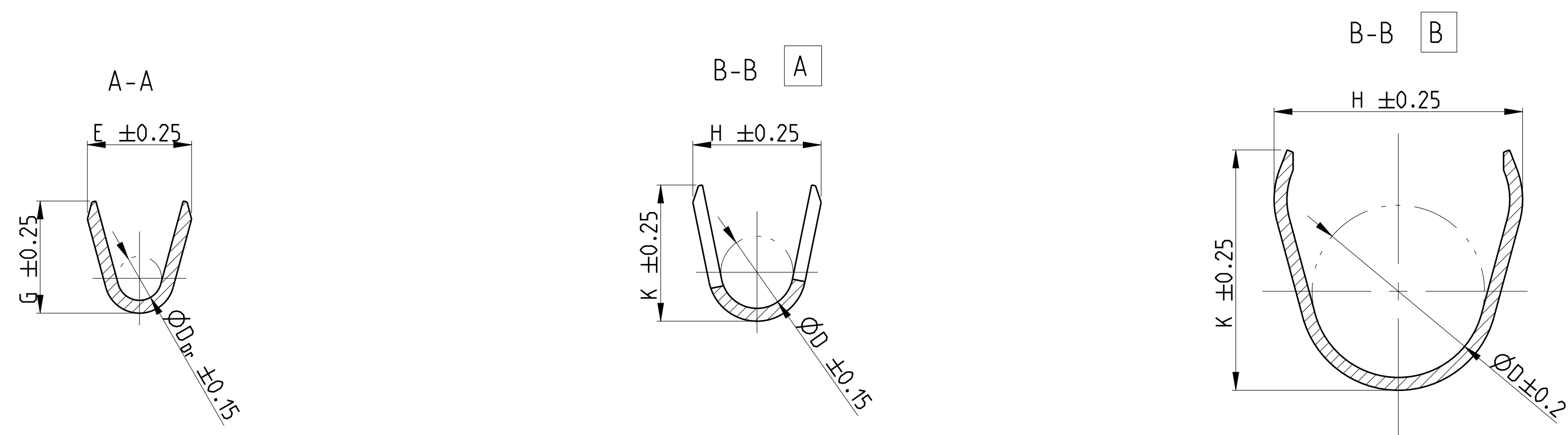


### STRIP FORM Bandware

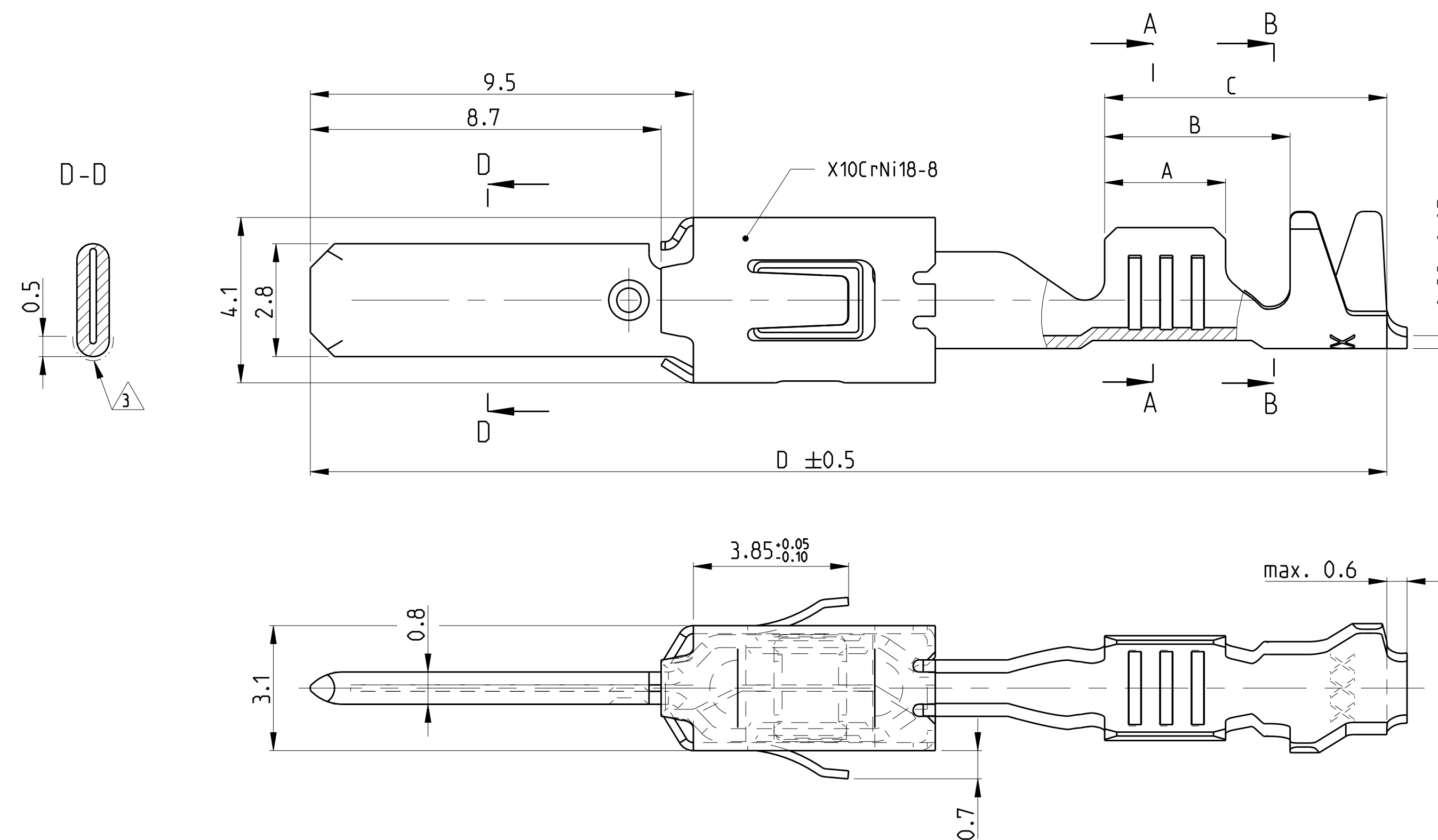


- 1 CONTACT AREA PRE SILVER MIN. 3µm  
CANTILEVER SPRING PLAIN  
Kontaktzone vorversilbert min. 3µm  
Ueberfederer blank
- 2 CONTACT BODY NI-PLATING MIN. 0.5µm; CONTACT AREA PRE-GOLD MIN. 0.6µm  
OVER NICKEL; CRIMP AREA PRE-TIN  
CANTILEVER SPRING PLAIN  
Kontaktkoerper vernickelt min. 0.5µm; Kontaktzone vorvergoldet min. 0.6µm ueber Nickel  
Crimpzone vorverzinkt; Ueberfederer blank
- 3 IN THIS AREA CRACK SHAPING AT THE SURFACE PERMISSIBLE  
In diesem Bereich Rissbildung in der Oberflaeche zulassig
- 4 PRE-TIN MIN. 1µm; CANTILEVER SPRING PLAIN  
vorverzinkt min. 1µm; Ueberfederer blank

- 5 AWG 12 TXL 828905-1 OR / oder 282536-1  
AWG 12 GXL 638865-1
- 6 ATTENTION! CONSTRUCTION OF THE CONTACT CAVITY IN THE AREA OF THE SINGLE WIRE SEAL IS  $\phi 6.4^{+0.1}_{-0.05}$   
Achtung! Die Kammer ist im Bereich der Einzeldichtung auf  $\phi 6.4^{+0.1}_{-0.05}$  auszuliegen
- 7 PUNCHED WITH VOLATILIZING STAMPING-OIL  
Gestanz mit verfluechtigendem Stanzoel

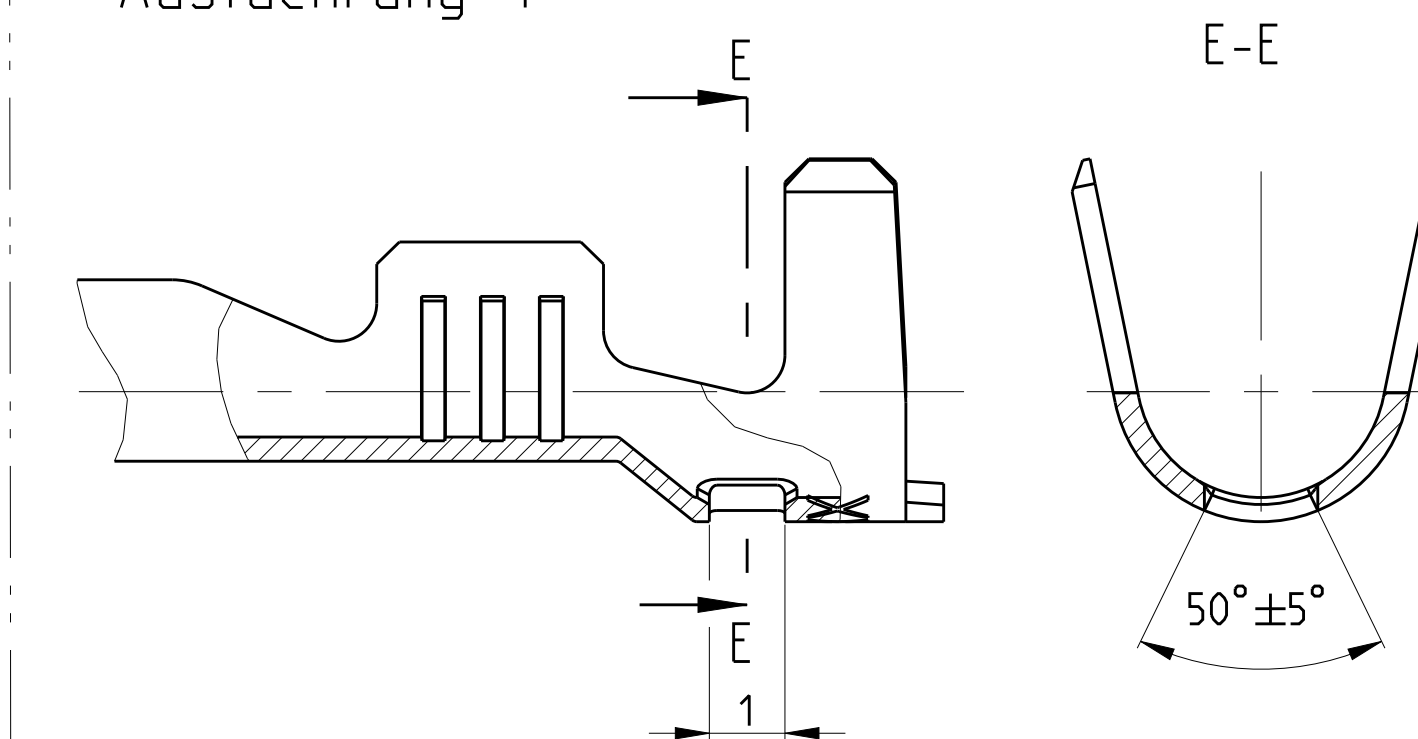
### FLR-/FLK-WIRE FLR-/FLK-Leitung

#### DESIGN 1 Ausfuehrung 1

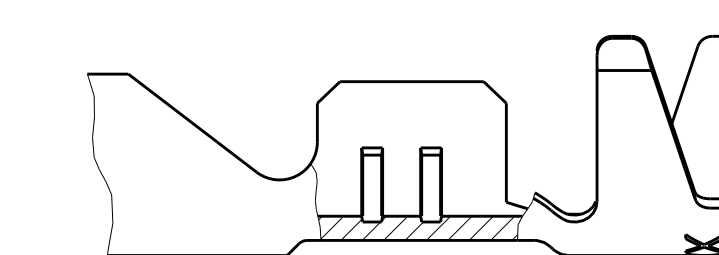


### SINGLE WIRE SEAL Einzeldichtungssystem

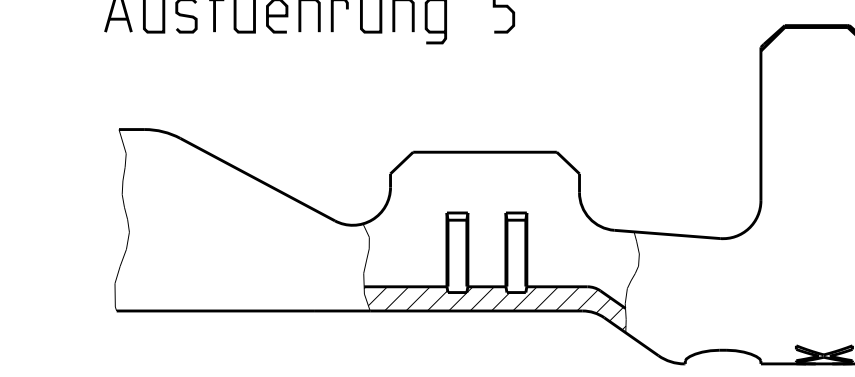
#### DESIGN 4 Ausfuehrung 4



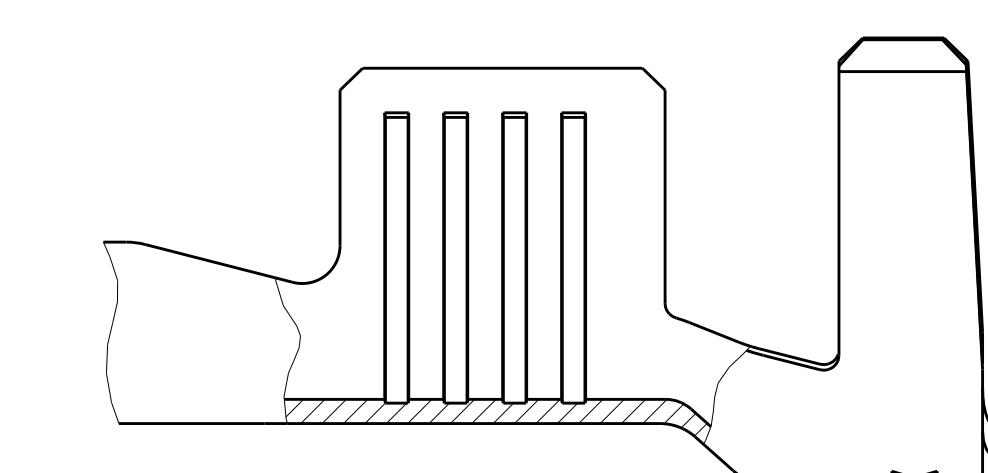
#### DESIGN 2 Ausfuehrung 2



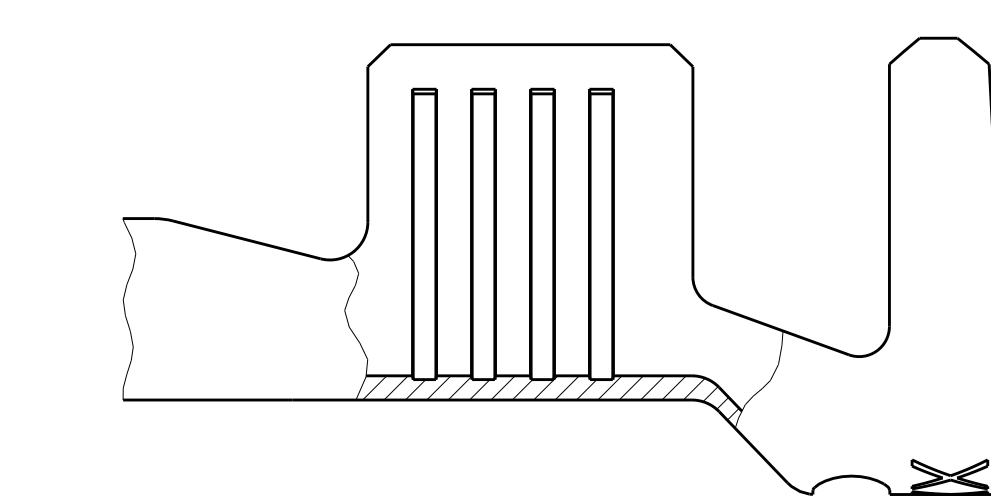
#### DESIGN 5 Ausfuehrung 5



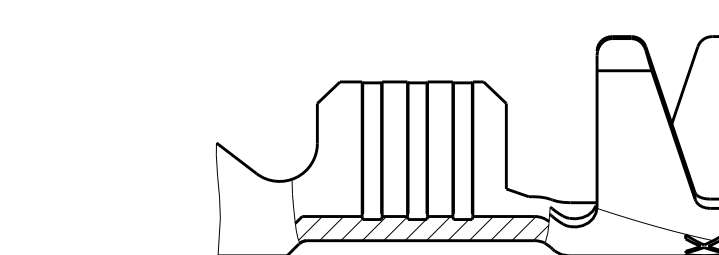
#### DESIGN 3 Ausfuehrung 3



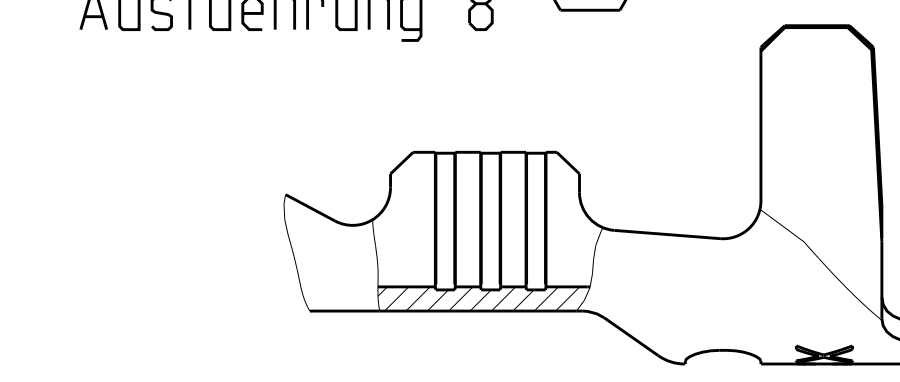
#### DESIGN 6 Ausfuehrung 6



#### DESIGN 7 Ausfuehrung 7



#### DESIGN 8 Ausfuehrung 8



TE ORDER-NO.	DESIGN REV	MATERIAL	SURFACE	DGB	INSULATION	STRIP FORM WIRE CRIMP	INSUL. CRIMP	APPLICATION TOOL	HAND TOOL	TE ORDER-NO.	TE ORDER-NO.	DIMENSIONS				REVISIONS
												A	B	C	D	
1-1719504-2	A	4	CuSn4	△	12 AWG	max. 3.0	E = 4.0 G = 4.2 D <sub>Dr</sub> = 2.0	A H = 5.3 K = 5.0 D = 3.6	1852291-3	-	3.5	6.0	7.6	26.8	△	828922-1
1-1719504-1	A	4	CuSn0.20	△	FLR	max. 3.7	E = 4.5 G = 4.7 D <sub>Dr</sub> = 2.3	B H = 6.2 K = 6.0 D = 4.3	MQC APPLICATOR 2-541537-2	539635-1 MATRIZE : 539727-2	4.3	6.9	8.5	28.5	△	828986-1
2-968947-2	A	6	CuFe	△	FLR	max. 3.0	E = 3.6 G = 3.8 D <sub>Dr</sub> = 1.7	A H = 5.3 K = 5.0 D = 3.6	MQC APPLICATOR 2-878560-2	734440-1	3.5	6.0	7.6	26.8	△	828905 (Ø5.0)
1-968947-2	A	6	CuSn4	△	FLR	max. 2.1	E = 2.6 G = 2.9 D <sub>Dr</sub> = 1.2	A H = 5.0 K = 4.8 D = 3.3	MQC APPLICATOR 2-878559-2	734438-1	3.0	5.4	7.0	26.8	△	828904 (Ø5.0)
1-968947-1	A	6	CuSn4	△	FLR	max. 2.1	E = 2.1 G = 2.1 D <sub>Dr</sub> = 0.8	A H = 4.7 K = 4.5 D = 3.2	MQC APPLICATOR 2-878558-2	539635-1 MATRIZE : 539737-2	2.5	4.9	6.5	26.8	△	828904 (Ø5.0)
2-968946-2	A	3	CuFe	△	FLR	2.7 - 3.7	E = 4.5 G = 4.7 D <sub>Dr</sub> = 2.3	A H = 5.7 K = 5.9 D = 3.3	MQC APPLICATOR 2-541534-2	539635-1 MATRIZE : 539723-2	4.3	6.6	8.5	28.5	△	828905 (Ø5.0)
2-962843-3	C	1	CuFe	△	FLK	2.4 - 3.7	E = 3.6 G = 3.8 D <sub>Dr</sub> = 1.7	A H = 5.5 K = 5.7 D = 3.2	MQC APPLICATOR 2-878552-2	734417-3	3.6	5.2	8.9	28.6	△	828905 (Ø5.0)
2-962842-2	F	1	CuFe	△	FLR	2.1 - 2.9	E = 3.6 G = 3.8 D <sub>Dr</sub> = 1.7	A H = 4.3 K = 4.5 D = 2.6	MQC APPLICATOR 2-878551-2	734417-2	3.6	5.2	8.2	27.9	△	828905 (Ø5.0)
2-962841-2	F	1	CuFe	△	FLR	1.4 - 2.1	E = 2.6 G = 2.8 D <sub>Dr</sub> = 1.1	A H = 3.2 K = 3.4 D = 1.8	MQC APPLICATOR 2-878550-2	734417-1	3.0	4.6	7.0	26.7	△	828905 (Ø5.0)
2-963860-3	B	2	CuFe	△	FLR	1.3 - 1.6	E = 2.1 G = 2.1 D <sub>Dr</sub> = 0.8	A H = 2.9 K = 2.9 D = 1.4	MQC APPLICATOR 2-878549-2	734538-1	2.5	3.7	5.8	25.5	△	828905 (Ø5.0)

THIS DRAWING IS A CONTROLLED DOCUMENT. DATE: 14 JUN 1999. BY: K. Gerlach. CH: M. Bleicher. APPROVED: [Signature]

PRODUCT GROUP DRAWING FOR TAB 2.8x0.8  
Produktgruppenzeichnung fuer Flachstecker 2.8x0.8

SCALE: 10:1. SHEET: 1 OF 1. REV: A18

## X-ON Electronics

Largest Supplier of Electrical and Electronic Components

*Click to view similar products for [Automotive Connectors](#) category:*

*Click to view products by [TE Connectivity](#) manufacturer:*

Other Similar products are found below :

[003-018-000](#) [60403001](#) [60993906-B](#) [M902-2131](#) [M902-2161](#) [M902-2344](#) [72.330.1035.1](#) [73.353.4028.0](#) [F119300-B](#) [F166900](#) [F258300-B](#)  
[F358300-B](#) [F407400](#) [F444110](#) [F487000](#) [F509500B-B](#) [827153-1](#) [8N1515-32-24P](#) [9-1326729-8](#) [925474-1](#) [928905-1](#) [964562-4](#) [968782-1](#)  
[GT17SA-8DS-HU](#) [98891-1012](#) [98947-1016](#) [12004147](#) [12004475-L](#) [12010290](#) [12010309-B](#) [12015454](#) [12020219-B](#) [12041318-B](#) [12052225-](#)  
[L](#) [12052466](#) [12064869](#) [12004327-B](#) [12015308](#) [12015384](#) [12015909](#) [1-21030-1](#) [12041254](#) [12041318](#) [12047946-B](#) [12047957](#) [12047957-L](#)  
[12059473](#) [12066261](#) [12110546](#) [12110546-B](#)