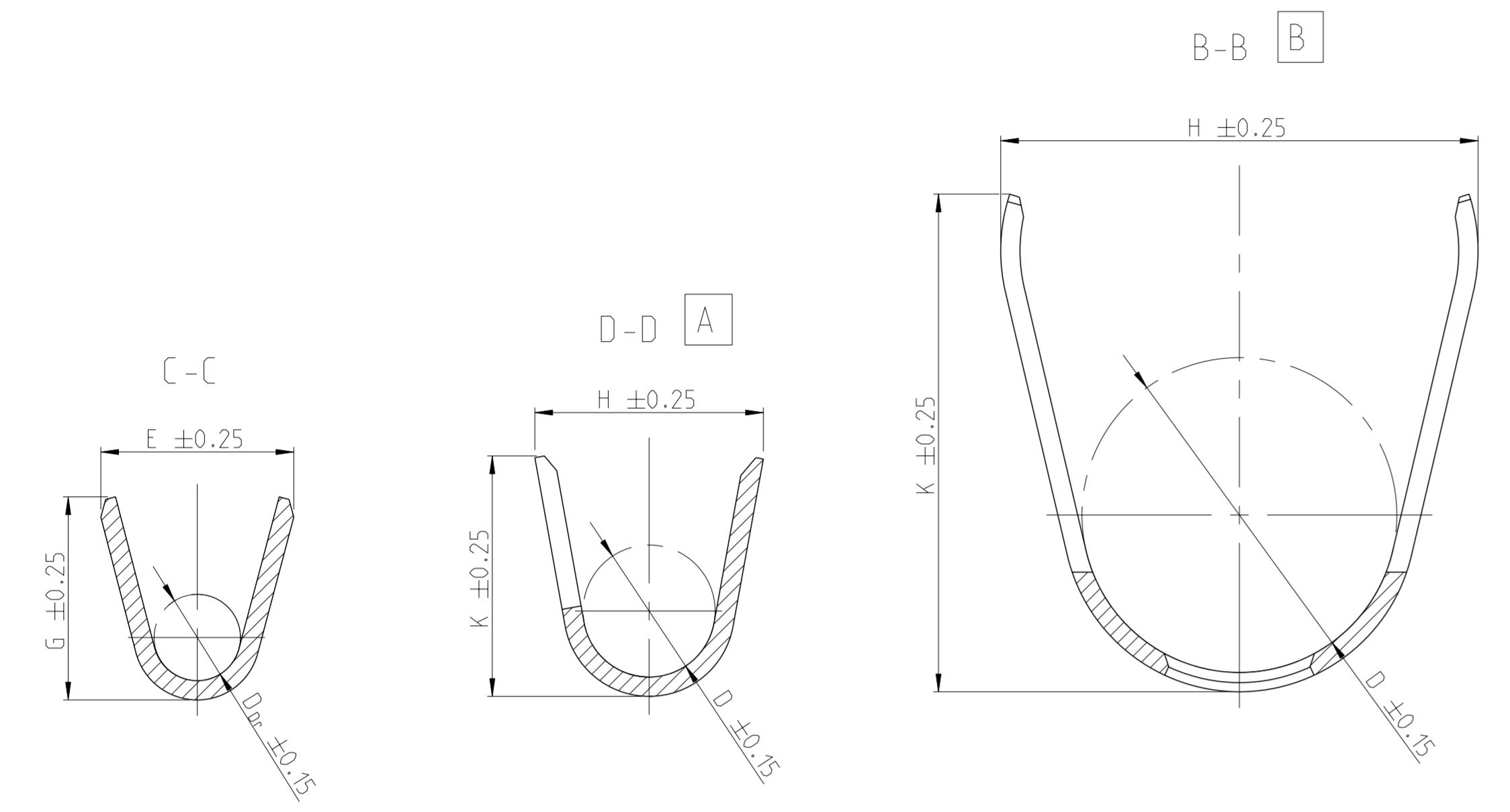


NOTES
Bemerkungen

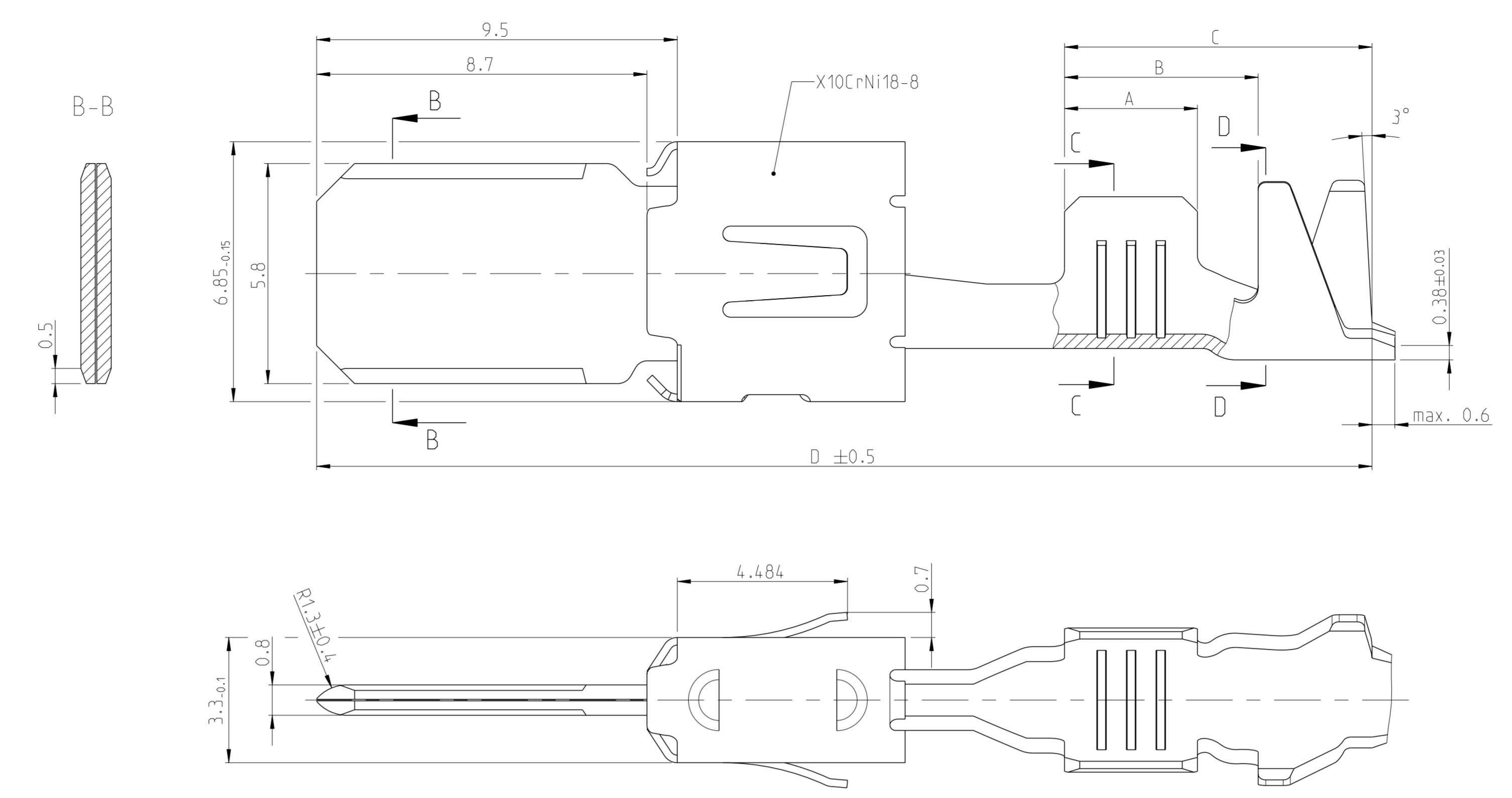
CONTACT AREA PRE SILVER MIN. 3µm
OTHER AREA PRE SILVER MIN. 1µm
SPRING BLANK
Kontaktzone vorversilbert min. 3µm
übriger Bereich vorversilbert min. 1µm
Ueberfeder blank

PRE TIN MIN. 1µm
SPRING BLANK
Vorverzinkt min. 1µm
Ueberfeder blank



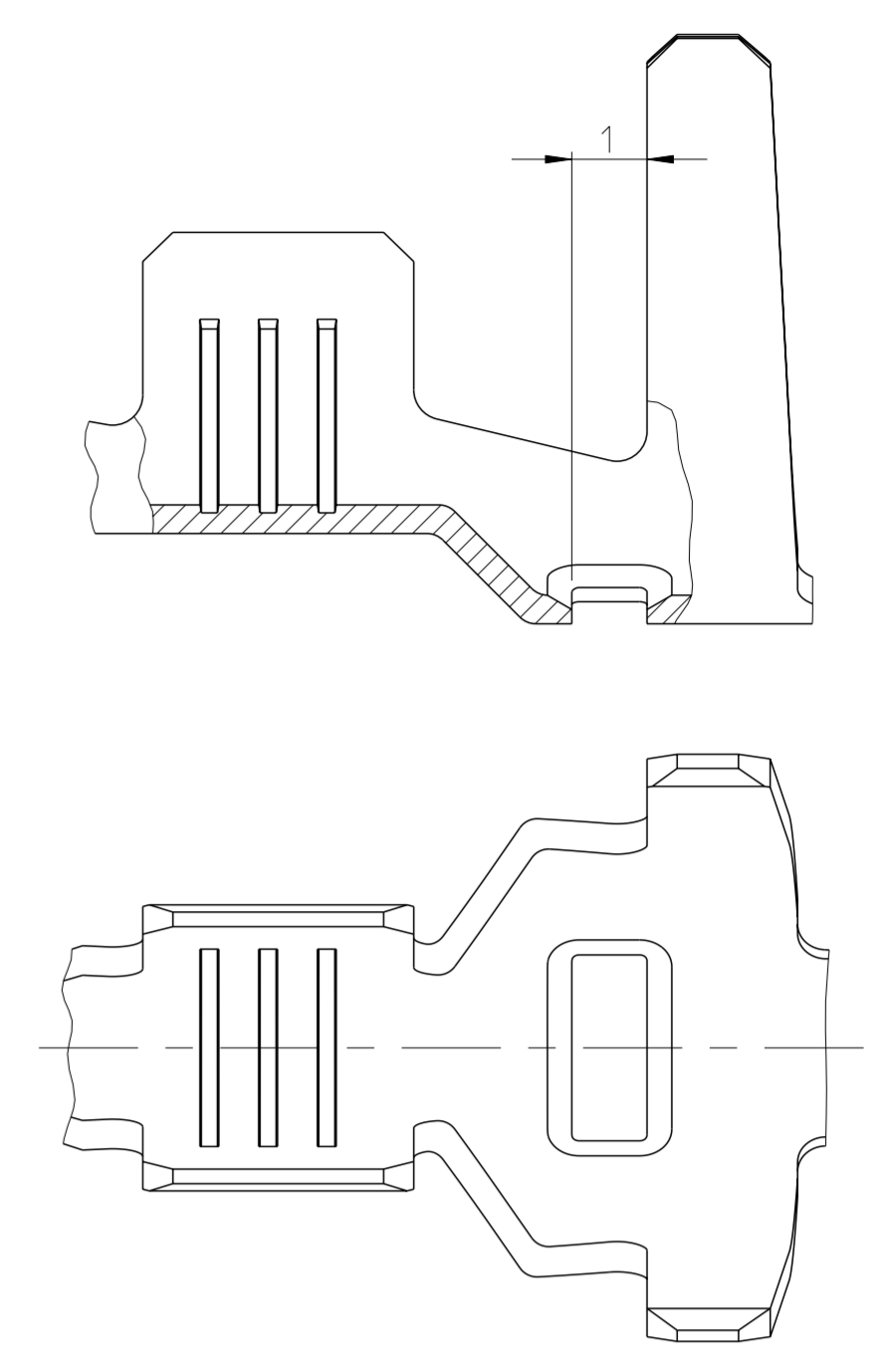
FLR-/FLK-WIRE
FLR-/FLK-Leitung

DESIGN 1
Ausführung 1

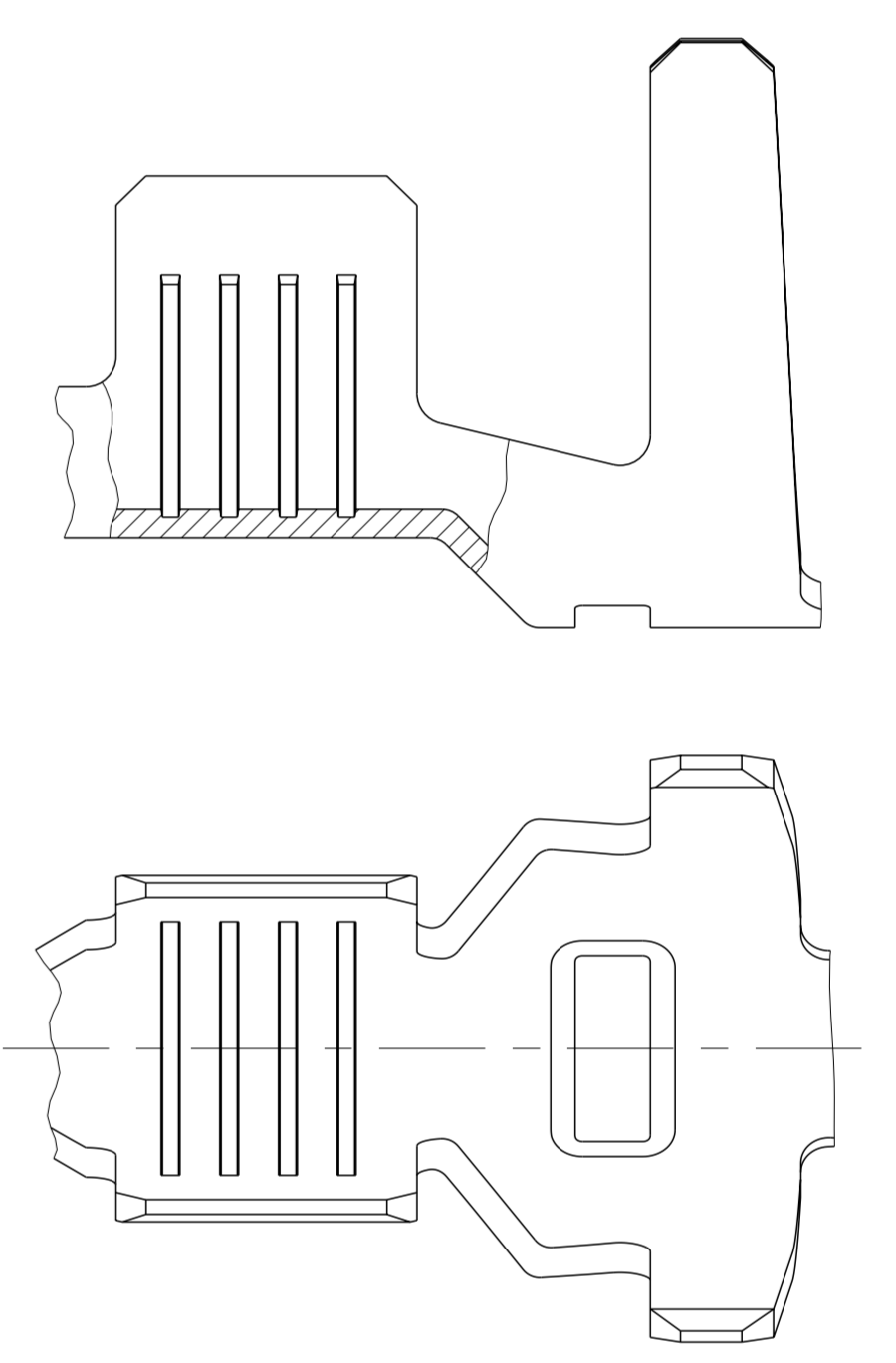


SINGLE WIRE SEAL
Einzeldichtungssystem

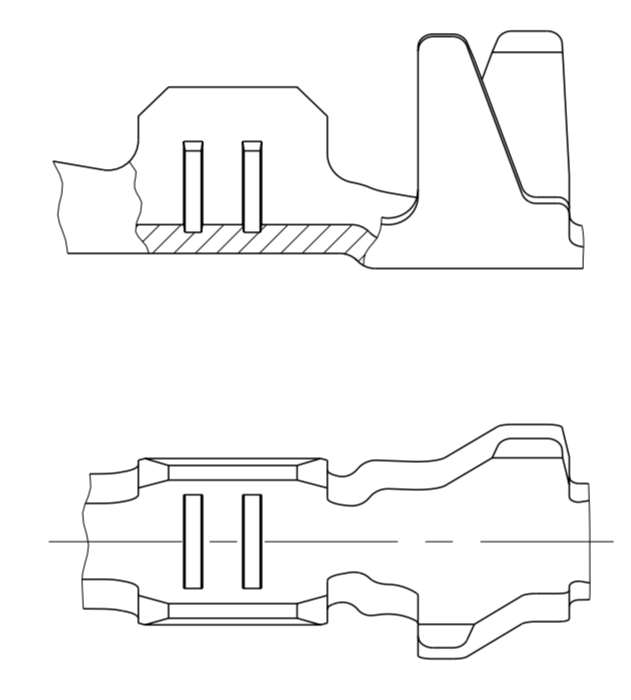
DESIGN 5
Ausführung 5



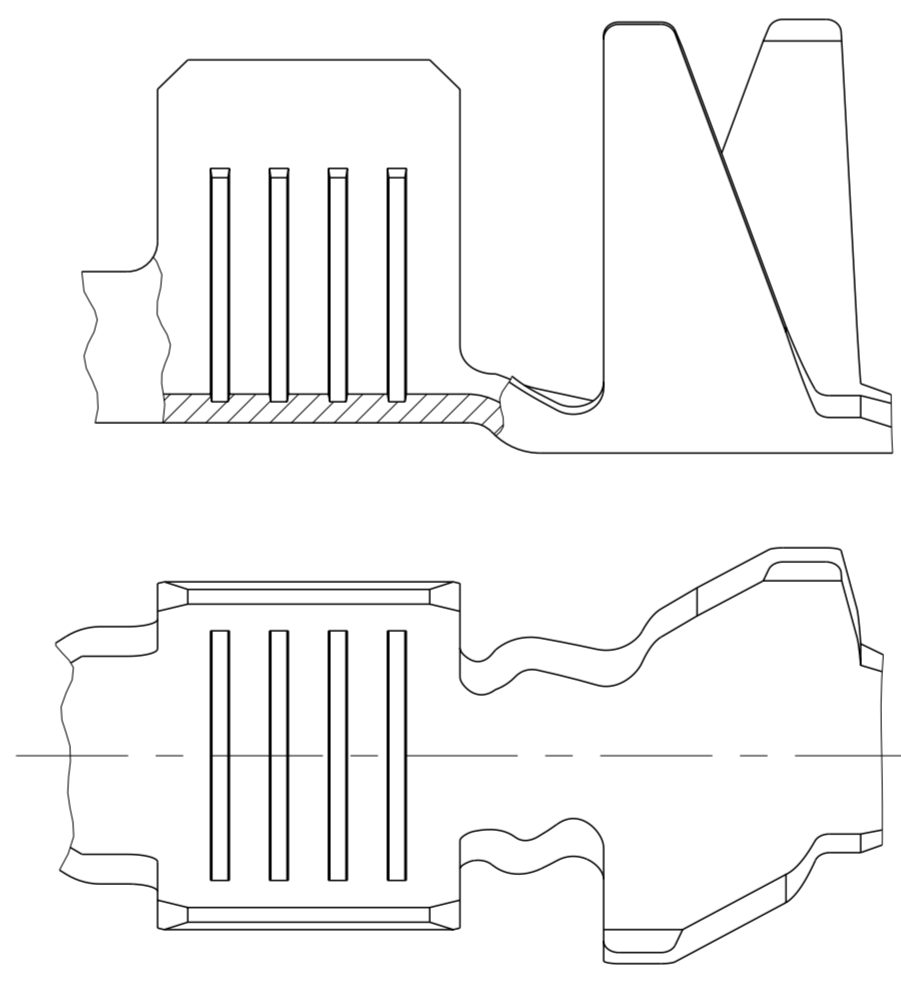
DESIGN 6
Ausführung 6



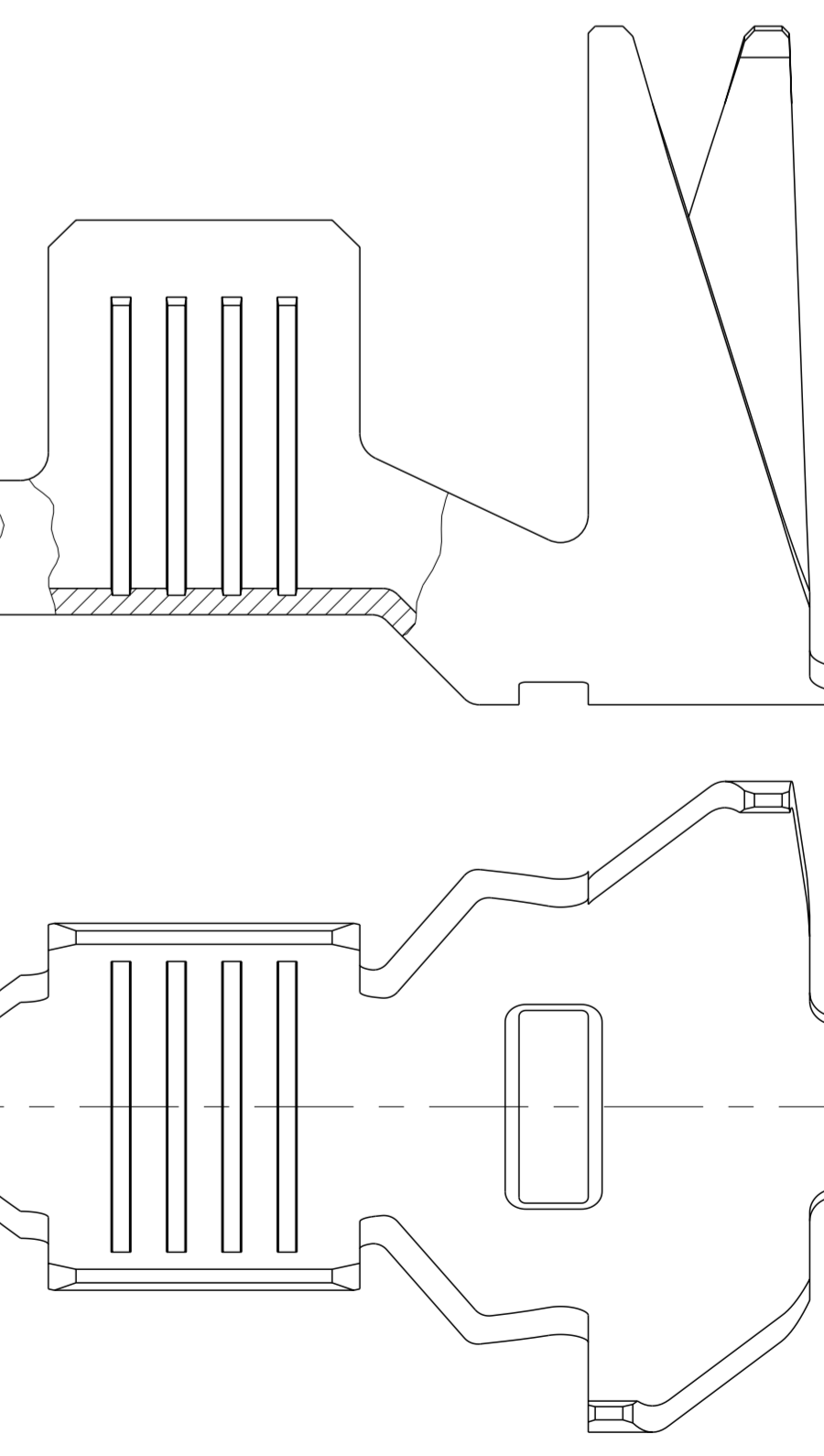
DESIGN 2
Ausführung 2



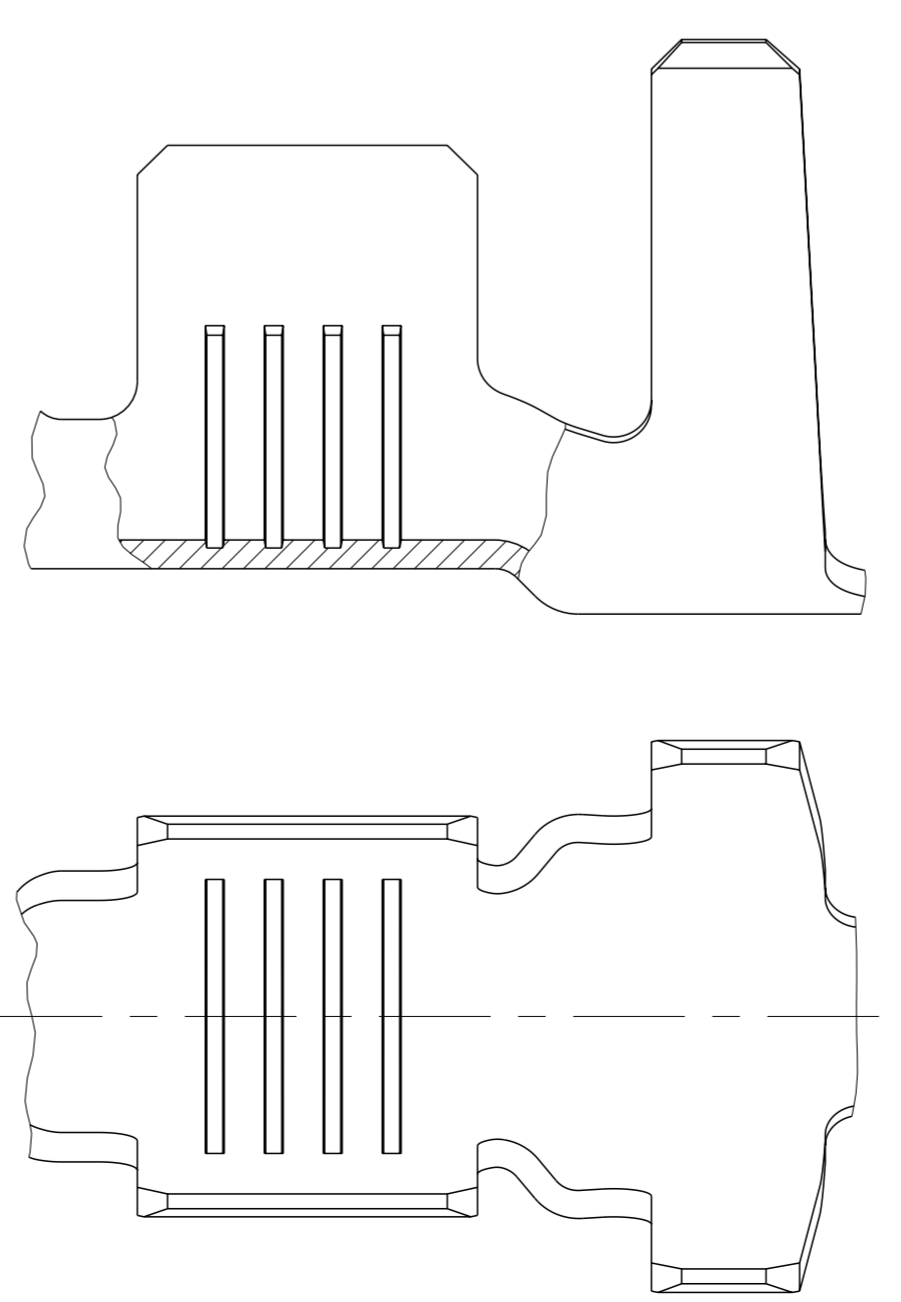
DESIGN 3
Ausführung 3



DESIGN 7
Ausführung 7



DESIGN 4
Ausführung 4



SINGLE WIRE SEAL / Einzeldichtungssystem	REV.	DESIGN	MATERIAL	SURFACE	DGB	SEE / siehe	SEE / siehe	SEE / siehe	APPLICATION TOOL (MQC APPLICATOR HD) Anschlagwerkzeug	EXTRACTION TOOL Ausdrueckwerkzeug No. 726548-1	A	B	C	D	
						SECTION A-A Schnitt A-A	SECTION B-B Schnitt B-B	WIRE CRIMP Drahtcrimp							
FLK-WIRE / FLK-Leitung	2-2112966-2	A	7	CuFe2	△	6.0	AWG 10	E = 5.3 G = 5.7 D _{Dr} = 2.9	H = 9.4 K = 9.8 D = 6.2	6.0 mm² = 2.35 AWG 10 = 2.30	1855636-6	4.5	7.8	11.0	29.3
	2-962919-2	E	6	CuFe2	△	4.0		E = 4.6 G = 4.8 D _{Dr} = 2.3	H = 7.8 K = 7.8 D = 5.5	4.0 mm² = 2.34	2-878567-2	4.0	7.1	9.1	28.3
	1-962919-2	D		CuSn4	△						539757-2				
	1-962919-1	D		CuSn4	△						539757-2				
	2-962918-2	E	5	CuFe2	△	>1.0 - 2.5		E = 3.8 G = 4.0 D _{Dr} = 1.7	H = 7.8 K = 7.8 D = 5.5	2.5 mm² = 1.97 2.0 mm² = 1.83 1.5 mm² = 1.69	2-878566-2	3.6	6.7	8.7	28.3
	2-962918-1	E		CuFe2	△						539757-2				
	1-962918-2	D		CuSn4	△						539757-2				
	1-962918-1	D	CuSn4	△	539757-2										
	2-962917-1	E	5	CuFe2	△	0.5 - 1.0		E = 2.8 G = 3.0 D _{Dr} = 1.1	H = 7.8 K = 7.8 D = 5.5	1.0 mm² = 1.56 0.75 mm² = 1.47 0.5 mm² = 1.38	2-878565-2	3.0	6.1	8.1	28.3
1-962917-2	D	CuSn4		△	539757-2										
1-962917-1	D	CuSn4		△	539757-2										
2-968050-1	A	4	CuFe2	△	6.0		E = 5.3 G = 5.6 D _{Dr} = 2.9	H = 7.3 K = 7.6 D = 4.6	6.0 mm² = 2.55 4.0 mm² = 2.17	2-878968-2	4.5	6.8	9.1	28.8	
1-968050-1	A		CuSn4	△						2-878564-2					
2-962846-1	D	3	CuFe2	△	4.0		E = 4.6 G = 4.8 D _{Dr} = 2.4	H = 6.7 K = 7.0 D = 4.0	4.0 mm² = 2.33	2-878564-2	4.0	6.0	10.8	30.5	
1-962846-2	C		CuSn4	△						539759-2					
1-962846-1	C		CuSn4	△						539759-2					
1-962845-2	D	1	CuSn4	△	>1.0 - 2.5		E = 3.8 G = 4.0 D _{Dr} = 1.7	H = 5.7 K = 5.9 D = 3.2	2.5 mm² = 1.97 2.0 mm² = 1.83 1.5 mm² = 1.69	2-878563-2	3.6	5.2	9.0	28.7	
1-962845-1	D		CuSn4	△						539759-2					
FLR-WIRE / FLR-Leitung	2-968050-2	A	4	CuFe2	△	6.0		E = 5.3 G = 5.6 D _{Dr} = 2.9	H = 7.3 K = 7.6 D = 4.6	6.0 mm² = 2.35	2836646	4.5	6.8	9.1	28.8
	2-963736-2	C	3	CuFe2	△	4.0		E = 4.6 G = 4.8 D _{Dr} = 2.3	H = 5.5 K = 5.7 D = 3.2	4.0 mm² = 2.33	2-878562-2	4.0	5.9	9.3	29.0
	2-963736-1	C		CuSn4	△						-				
	1-963736-2	B		CuSn4	△						-				
	1-963736-1	B	CuSn4	△	-										
	2-963735-2	C	1	CuFe2	△	>1.0 - 2.5		E = 3.8 G = 4.0 D _{Dr} = 1.7	H = 4.5 K = 4.7 D = 2.6	2.5 mm² = 1.97 2.0 mm² = 1.83 1.5 mm² = 1.69	2-878561-2	3.5	5.1	8.1	27.8
	2-963735-1	C		CuSn4	△						-				
	1-963735-2	B		CuSn4	△						-				
	1-963735-1	B	CuSn4	△	-										
	2-963734-2	C	1	CuFe2	△	0.5 - 1.0		E = 2.8 G = 3.0 D _{Dr} = 1.1	H = 3.3 K = 3.5 D = 1.8	1.0 mm² = 1.56 0.75 mm² = 1.47 0.5 mm² = 1.38	2-878654-2	3.0	4.6	6.8	26.5
	2-963734-1	C		CuSn4	△						539759-2				
	1-963734-2	B		CuSn4	△						539759-2				
1-963734-1	B	CuSn4	△	539759-2											
2-965984-1	A	2	CuFe2	△	0.2 - 0.5		E = 2.2 G = 2.2 D _{Dr} = 0.8	H = 3.1 K = 3.1 D = 1.4	-	-	2.5	3.7	5.7	26.5	
1-965984-1	B		CuSn4	△						-					

X-ON Electronics

Largest Supplier of Electrical and Electronic Components

Click to view similar products for [Automotive Connectors](#) category:

Click to view products by [TE Connectivity](#) manufacturer:

Other Similar products are found below :

[003-018-000](#) [60403001](#) [60993906-B](#) [M902-2131](#) [M902-2161](#) [72.330.1035.1](#) [73.353.4028.0](#) [F119300-B](#) [F166900](#) [F258300-B](#) [F358300-B](#)
[F407400](#) [F444110](#) [F487000](#) [F509500B-B](#) [827153-1](#) [8N1515-32-24P](#) [9-1326729-8](#) [925474-1](#) [928905-1](#) [964562-4](#) [968782-1](#) [GT17SA-8DS-](#)
[HU](#) [98891-1012](#) [98947-1016](#) [12004147](#) [12004475-L](#) [12010290](#) [12010309-B](#) [12015454](#) [12020219-B](#) [12020308](#) [12041318-B](#) [12052225-L](#)
[12052466](#) [12059125](#) [12064869](#) [12004327-B](#) [12010503-B](#) [12015308](#) [12015384](#) [12015909](#) [1-21030-1](#) [12041254](#) [12041318](#) [12047946-B](#)
[12047957](#) [12047957-L](#) [12059473](#) [12066261](#)