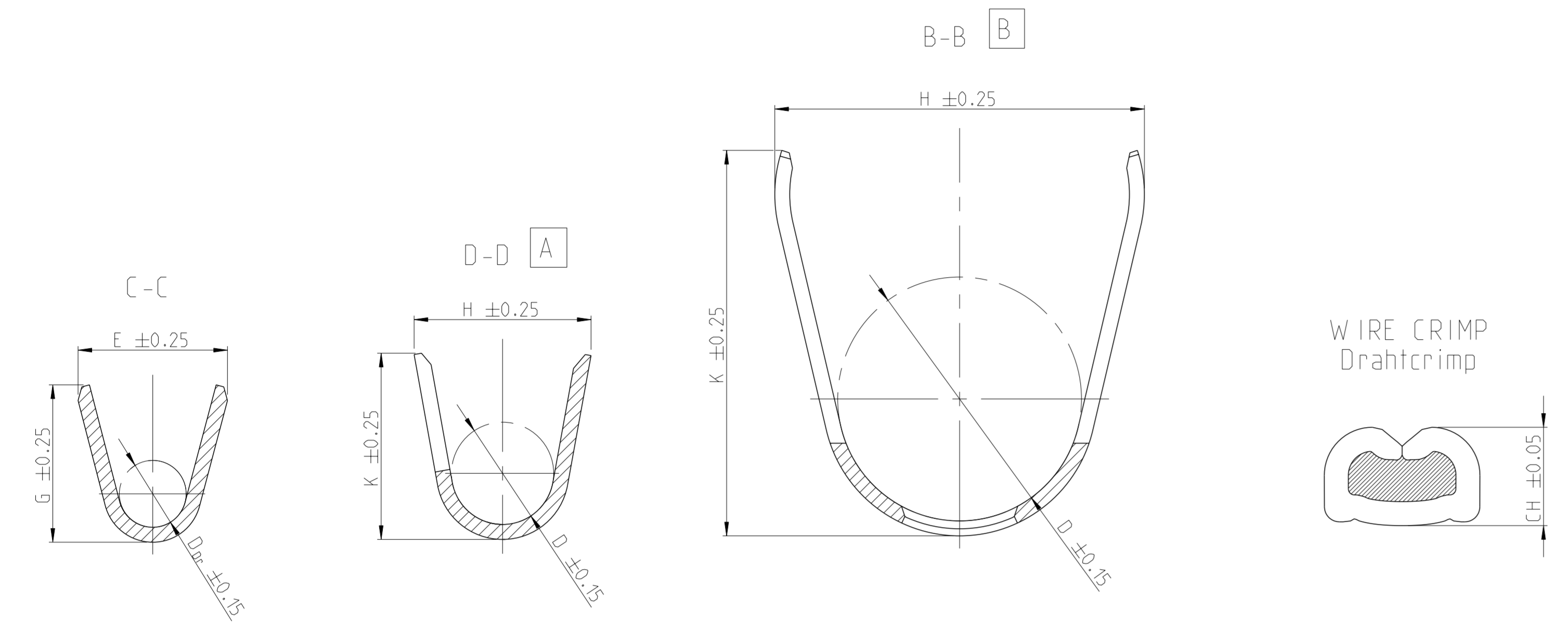


NOTES
Bemerkungen

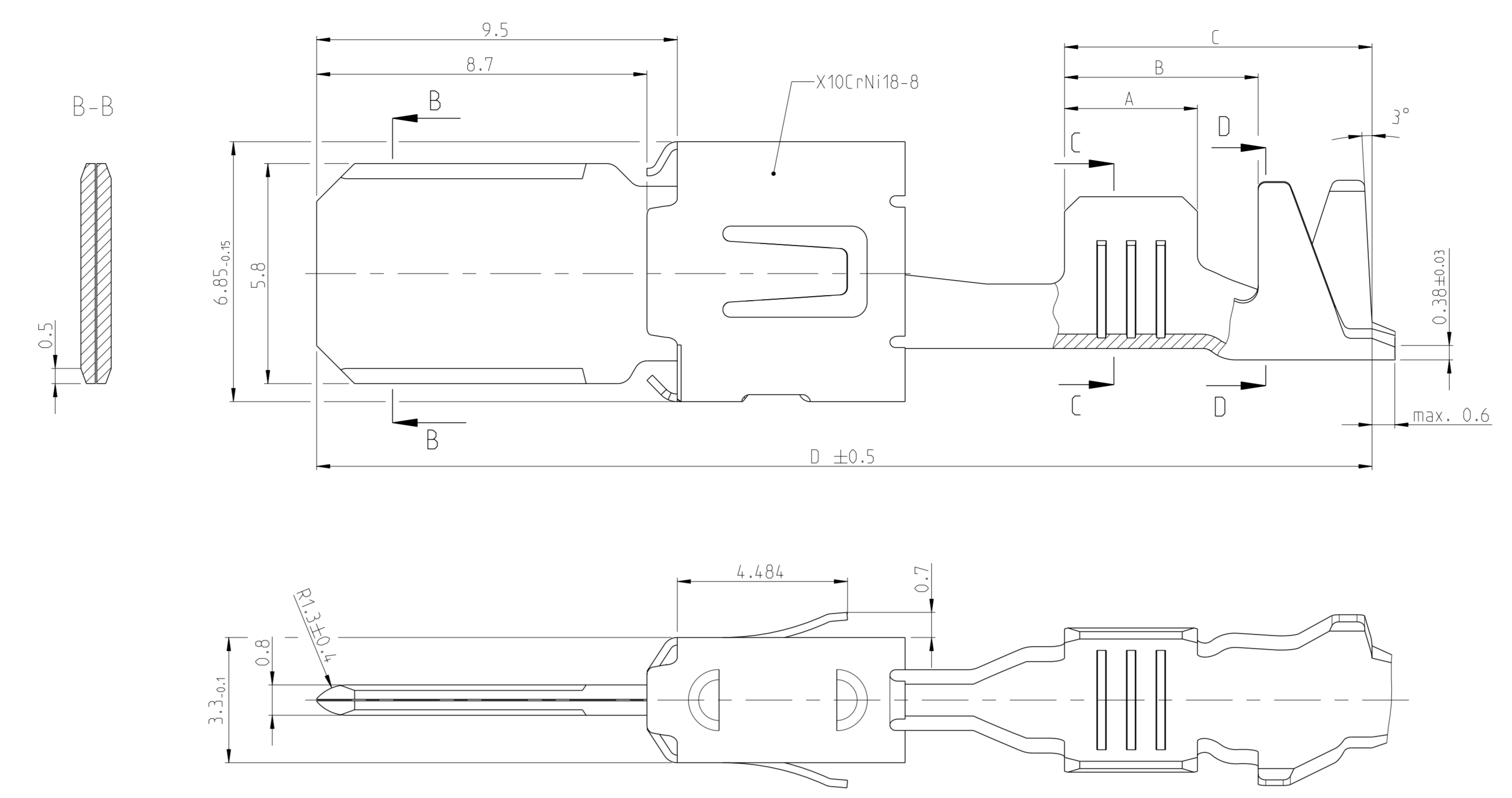
CONTACT AREA PRE SILVER MIN. 3µm
OTHER AREA PRE SILVER MIN. 1µm
SPRING BLANK
Kontaktzone vorversilbert min. 3µm
uebriger Bereich vorversilbert min. 1µm
Ueberfeder blank

PRE TIN MIN. 1µm
SPRING BLANK
Vorverzinkt min. 1µm
Ueberfeder blank

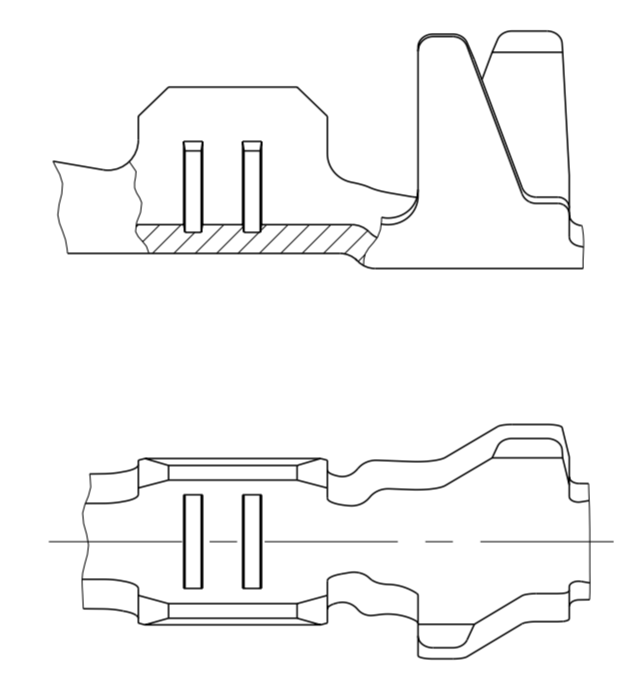


FLR-/FLK-WIRE
FLR-/FLK-Leitung

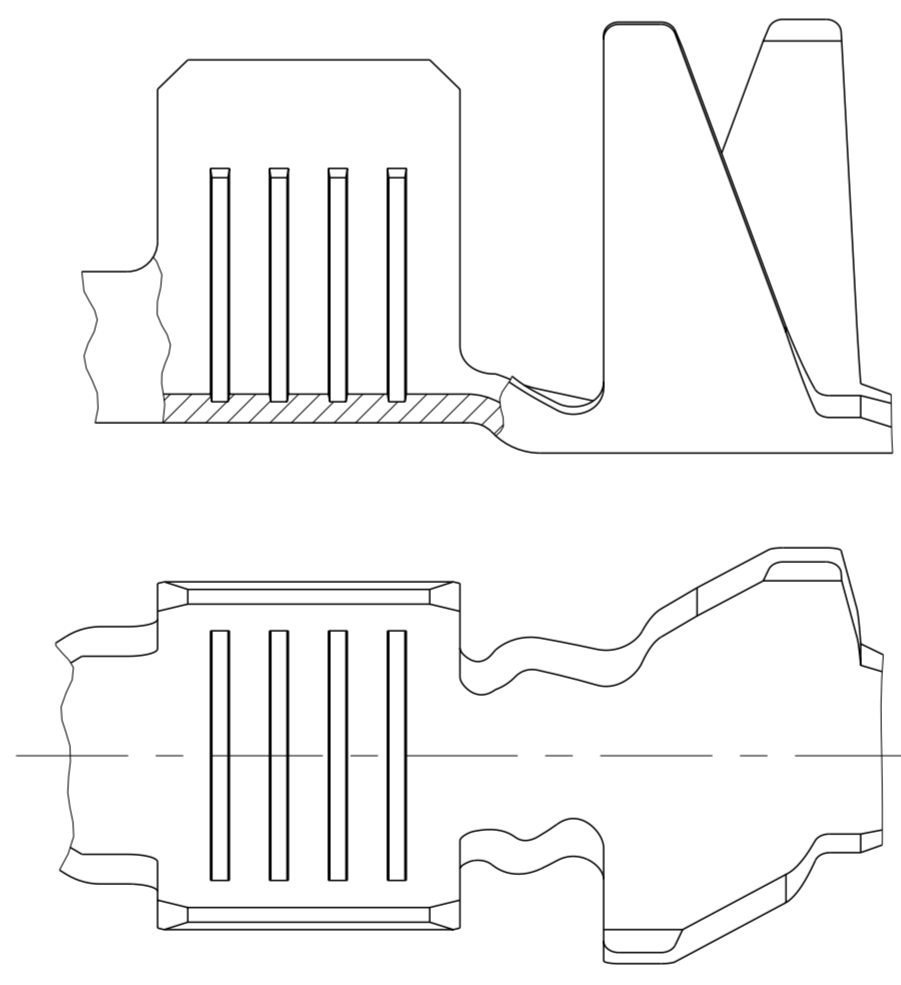
DESIGN 1
Ausfuehrung 1



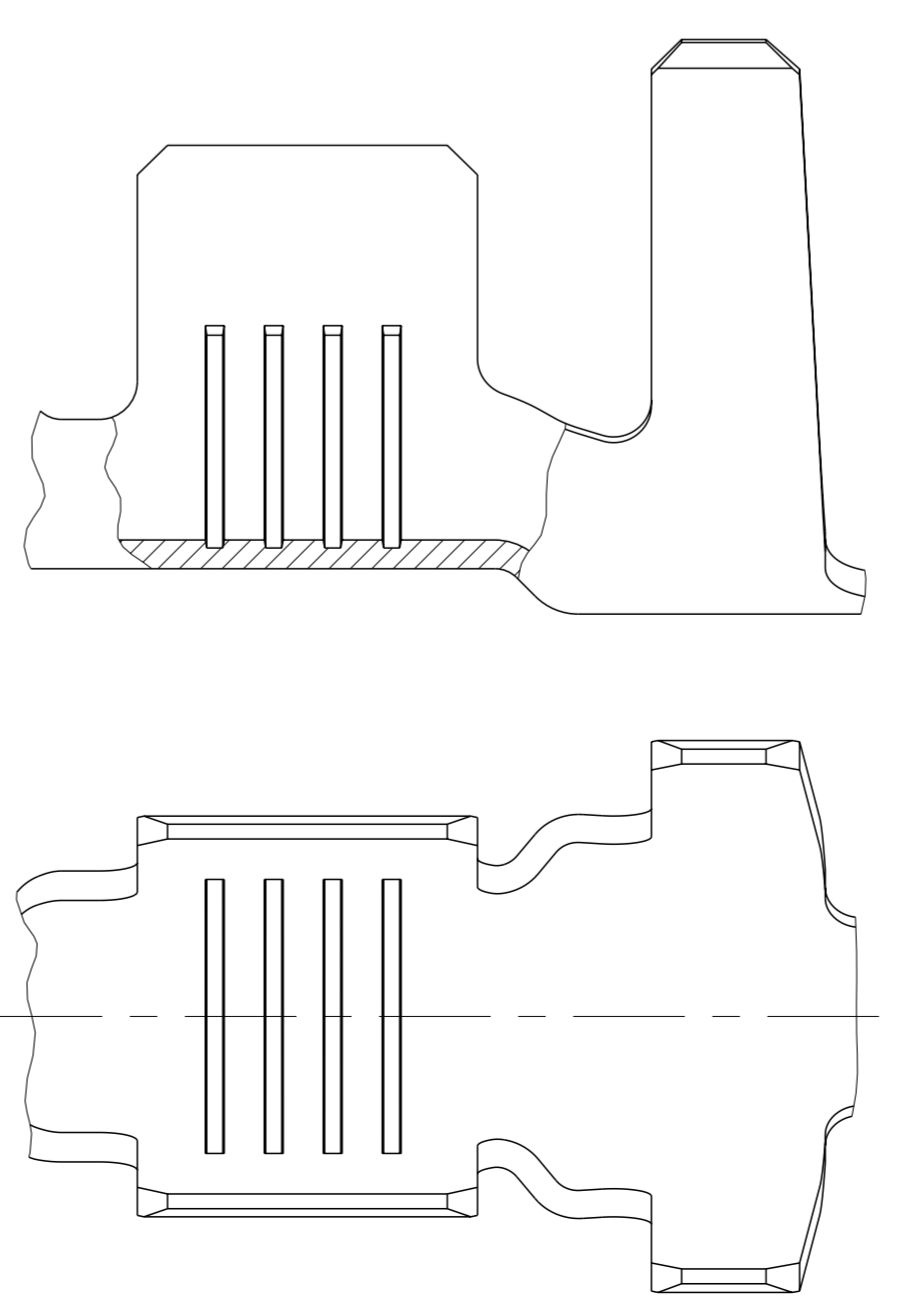
DESIGN 2
Ausfuehrung 2



DESIGN 3
Ausfuehrung 3

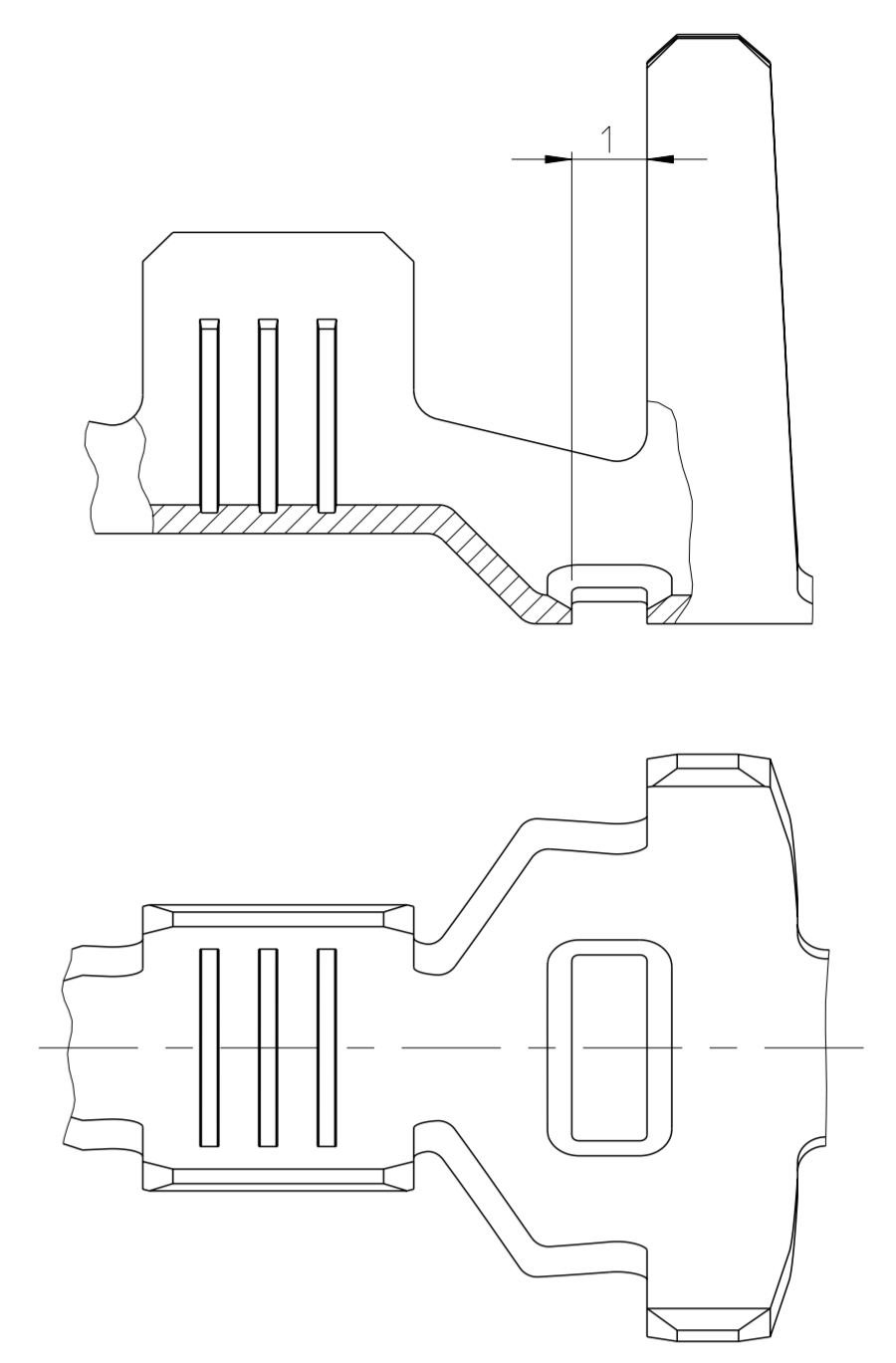


DESIGN 4
Ausfuehrung 4

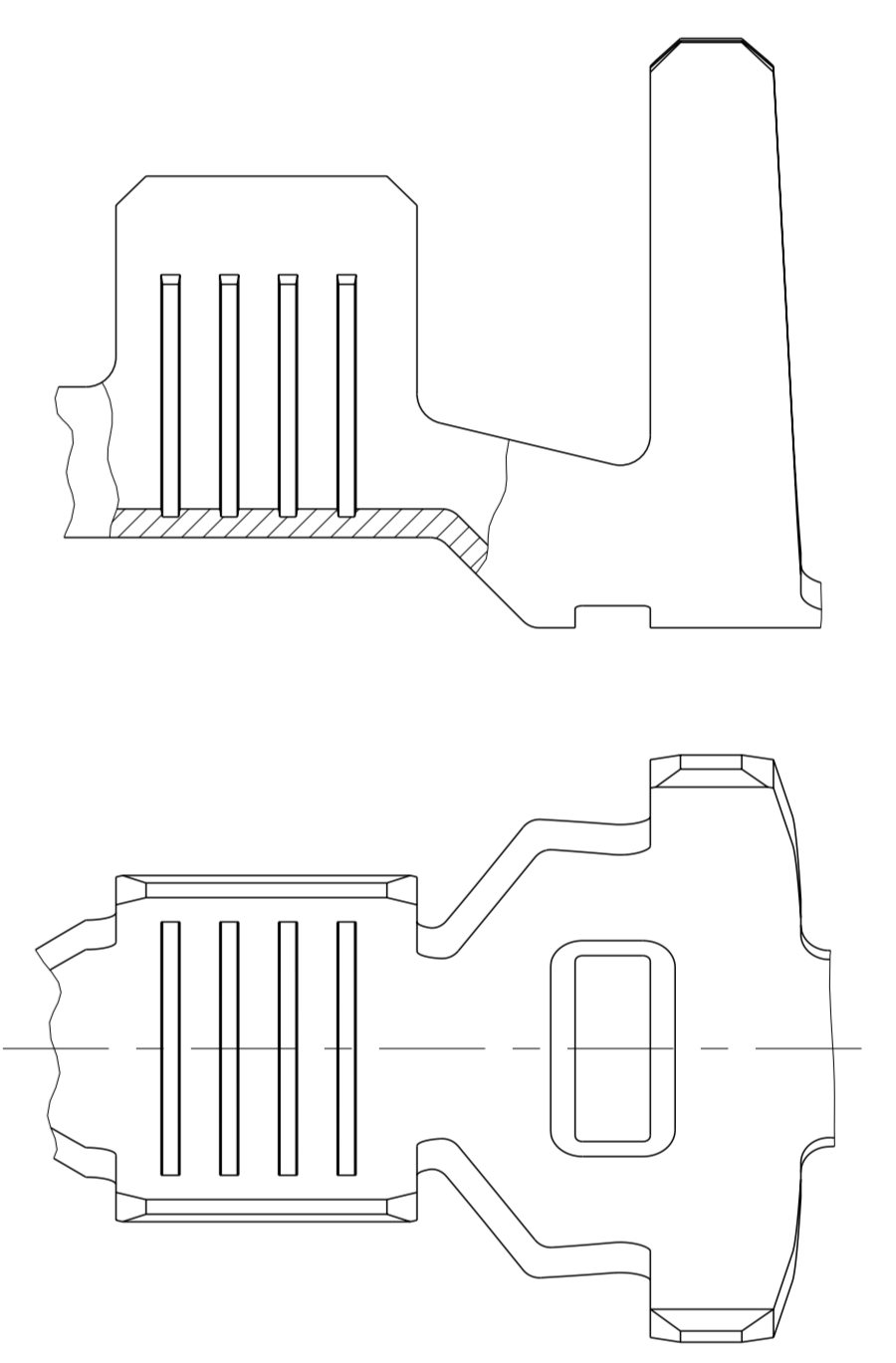


SINGLE WIRE SEAL
Einzeldichtungssystem

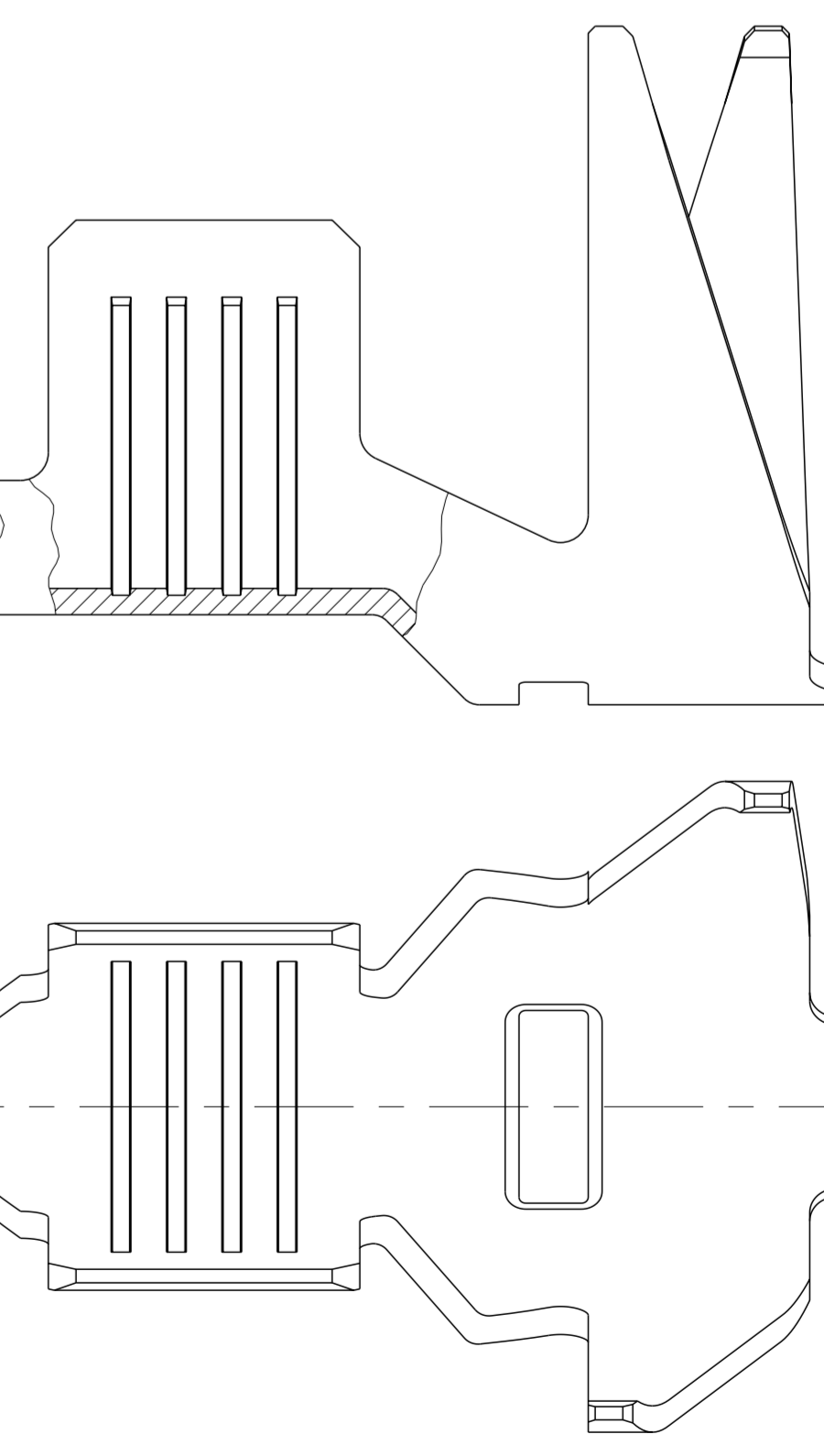
DESIGN 5
Ausfuehrung 5



DESIGN 6
Ausfuehrung 6



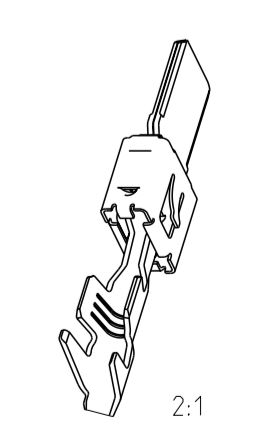
DESIGN 7
Ausfuehrung 7



TE ORDER-NO. STRIP FORM TE Bestellnr. Bandware	REV.	DESIGN Ausfuehrung	MATERIAL Werkstoff	SURFACE Oberflaeche	DGB mm²	WIRE CRIMP Drahtcrimp	INSUL. CRIMP Isolationscrimp	WIRE CRIMP HEIGHT CH Drahtcrimphoehe CH	APPLICATION TOOL (MQC APPLICATOR HD) Anschlagwerkzeug	EXTRACTION TOOL Ausdrueckwerkzeug No. 726548-1	CRIMP DIMENSIONS mm Crimpabmessungen mm					
											A	B	C	D		
SINGLE WIRE SEAL / Einzeldichtungssystem	2-2112966-2	A	7	CuFe2	△	6.0 AWG 10	SEE / siehe SECTION A-A Schnitt A-A	SEE / siehe SECTION B-B Schnitt B-B	SEE / siehe WIRE CRIMP Drahtcrimp		1855636-6	4.5	7.8	11.0	29.3	
	2-962919-2	E	6	CuFe2	△	4.0	E = 5.3 G = 5.7 D _{Dr} = 2.9	H = 9.4 K = 9.8 D = 6.2	6.0 mm² = 2.35 AWG 10 = 2.30		2-878567-2	4.0	7.1	9.1	28.3	
	1-962919-2	D		CuSn4	△		E = 4.6 G = 4.8 D _{Dr} = 2.3	H = 7.8 K = 7.8 D = 5.5	4.0 mm² = 2.34	539757-2						
	1-962919-1	D		CuFe2	△		E = 3.8 G = 4.0 D _{Dr} = 1.7	H = 7.8 K = 7.8 D = 5.5	2.5 mm² = 1.97 2.0 mm² = 1.83 1.5 mm² = 1.69	2-878566-2						
	2-962918-2	E	5	CuFe2	△	>1.0 - 2.5	E = 3.8 G = 4.0 D _{Dr} = 1.7	H = 7.8 K = 7.8 D = 5.5	2.5 mm² = 1.97 2.0 mm² = 1.83 1.5 mm² = 1.69		539757-2	3.6	6.7	8.7	28.3	
	2-962918-1	E		CuSn4	△		E = 2.8 G = 3.0 D _{Dr} = 1.1	H = 7.8 K = 7.8 D = 5.5	1.0 mm² = 1.56 0.75 mm² = 1.47 0.5 mm² = 1.38	2-878565-2						
	1-962918-2	D		CuSn4	△		E = 2.8 G = 3.0 D _{Dr} = 1.1	H = 7.8 K = 7.8 D = 5.5	1.0 mm² = 1.56 0.75 mm² = 1.47 0.5 mm² = 1.38	539757-2						
	2-962917-1	E	5	CuFe2	△	0.5 - 1.0	E = 2.8 G = 3.0 D _{Dr} = 1.1	H = 7.8 K = 7.8 D = 5.5	1.0 mm² = 1.56 0.75 mm² = 1.47 0.5 mm² = 1.38		2-878565-2	3.0	6.1	8.1	28.3	
	1-962917-2	D		CuSn4	△		E = 5.3 G = 5.6 D _{Dr} = 2.9	H = 7.3 K = 7.6 D = 4.6	6.0 mm² = 2.55 4.0 mm² = 2.17	2-878968-2						
	1-962917-1	D		CuSn4	△		E = 4.6 G = 4.8 D _{Dr} = 2.4	H = 6.7 K = 7.0 D = 4.0	4.0 mm² = 2.33	539759-2						
	FLK-WIRE / FLK-Leitung	2-968050-1	A	4	CuFe2	△	6.0	E = 5.3 G = 5.6 D _{Dr} = 2.9	H = 7.3 K = 7.6 D = 4.6	6.0 mm² = 2.55 4.0 mm² = 2.17		2-878968-2	4.5	6.8	9.1	28.8
		1-968050-1	A		CuSn4	△		E = 4.6 G = 4.8 D _{Dr} = 2.4	H = 6.7 K = 7.0 D = 4.0	4.0 mm² = 2.33	539759-2					
2-962846-1		D	3	CuFe2	△	4.0	E = 3.8 G = 4.0 D _{Dr} = 1.7	H = 5.7 K = 5.9 D = 3.2	2.5 mm² = 1.97 2.0 mm² = 1.83 1.5 mm² = 1.69		2-878563-2	3.6	5.2	9.0	28.7	
1-962846-2		C		CuSn4	△		E = 5.3 G = 5.6 D _{Dr} = 2.9	H = 7.3 K = 7.6 D = 4.6	6.0 mm² = 2.55 4.0 mm² = 2.17	2-878564-2						
1-962846-1		C		CuSn4	△		E = 4.6 G = 4.8 D _{Dr} = 2.4	H = 6.7 K = 7.0 D = 4.0	4.0 mm² = 2.33	539759-2						
1-962845-2		D	1	CuSn4	△	>1.0 - 2.5	E = 3.8 G = 4.0 D _{Dr} = 1.7	H = 5.7 K = 5.9 D = 3.2	2.5 mm² = 1.97 2.0 mm² = 1.83 1.5 mm² = 1.69		539759-2	3.6	5.2	9.0	28.7	
1-962845-1	D	CuSn4		△	E = 5.3 G = 5.6 D _{Dr} = 2.9		H = 7.3 K = 7.6 D = 4.6	6.0 mm² = 2.55 4.0 mm² = 2.17	2-878564-2							
FLR-WIRE / FLR-Leitung	2-968050-2	A	4	CuFe2	△	6.0	E = 5.3 G = 5.6 D _{Dr} = 2.9	H = 7.3 K = 7.6 D = 4.6	6.0 mm² = 2.35		2836646	4.5	6.8	9.1	28.8	
	2-963736-2	C	3	CuFe2	△	4.0	E = 4.6 G = 4.8 D _{Dr} = 2.3	H = 5.5 K = 5.7 D = 3.2	4.0 mm² = 2.33		2-878562-2	4.0	5.9	9.3	29.0	
	2-963736-1	C		CuSn4	△		E = 3.8 G = 4.0 D _{Dr} = 1.7	H = 4.5 K = 4.7 D = 2.6	2.5 mm² = 1.97 2.0 mm² = 1.83 1.5 mm² = 1.69	2-878561-2						
	1-963736-2	B		CuSn4	△		E = 3.8 G = 4.0 D _{Dr} = 1.7	H = 4.5 K = 4.7 D = 2.6	2.5 mm² = 1.97 2.0 mm² = 1.83 1.5 mm² = 1.69	-						
	2-963735-2	C	1	CuFe2	△	>1.0 - 2.5	E = 2.8 G = 3.0 D _{Dr} = 1.1	H = 3.3 K = 3.5 D = 1.8	1.0 mm² = 1.56 0.75 mm² = 1.47 0.5 mm² = 1.38		2-878654-2	3.5	5.1	8.1	27.8	
	2-963735-1	C		CuSn4	△		E = 2.8 G = 3.0 D _{Dr} = 1.1	H = 3.3 K = 3.5 D = 1.8	1.0 mm² = 1.56 0.75 mm² = 1.47 0.5 mm² = 1.38	2-878654-2						
	1-963735-2	B		CuSn4	△		E = 2.8 G = 3.0 D _{Dr} = 1.1	H = 3.3 K = 3.5 D = 1.8	1.0 mm² = 1.56 0.75 mm² = 1.47 0.5 mm² = 1.38	539759-2						
	2-963734-2	C	1	CuFe2	△	0.5 - 1.0	E = 2.2 G = 2.2 D _{Dr} = 0.8	H = 3.1 K = 3.1 D = 1.4	-		-	2.5	3.7	5.7	26.5	
	2-963734-1	C		CuSn4	△		E = 2.2 G = 2.2 D _{Dr} = 0.8	H = 3.1 K = 3.1 D = 1.4	-	-						
	1-963734-2	B		CuSn4	△		E = 2.2 G = 2.2 D _{Dr} = 0.8	H = 3.1 K = 3.1 D = 1.4	-	-						
	2-965984-1	A	2	CuFe2	△	0.2 - 0.5	E = 2.2 G = 2.2 D _{Dr} = 0.8	H = 3.1 K = 3.1 D = 1.4	-		-	2.5	3.7	5.7	26.5	
	1-965984-1	B		CuSn4	△		E = 2.2 G = 2.2 D _{Dr} = 0.8	H = 3.1 K = 3.1 D = 1.4	-	-						

REVISIONS			
REV	DATE	BY	APPD
A6	05SEP2014	Kirs	Merz
AB	28AUG2016	Abp	Merz
AD	15SEP2016	ABR	Merz
A10	10DEC2018	FRAN	Merz

THIS DRAWING IS A CONTROLLED DOCUMENT.		REV: T. Meierhofer 31JUL2001	DATE: 31JUL2001	BY: T. Meierhofer	APPD: T. Meierhofer
DIMENSIONS:	UNIT:	TOLERANCES UNLESS OTHERWISE SPECIFIED:	PRODUCT SPEC:	NAME:	SCALE:
±0.2	mm	±0.2	108-18064	TAB 5.8 x 0.8	10:1
MATERIAL:	FINISH:	ANGLE:	APPLICATION SPEC:	SIZE:	RESTRICTED TO:
-	-	-	114-18052	A0 00779	-
Customer Drawing			WEIGHT:	Customer Drawing	SCALE: 10:1
			Customer Drawing	Customer Drawing	SHEET 1 of 1



X-ON Electronics

Largest Supplier of Electrical and Electronic Components

Click to view similar products for [Automotive Connectors](#) category:

Click to view products by [TE Connectivity](#) manufacturer:

Other Similar products are found below :

[003-018-000](#) [60403001](#) [60993906-B](#) [M902-2131](#) [M902-2161](#) [72.330.1035.1](#) [73.353.4028.0](#) [F119300-B](#) [F166900](#) [F258300-B](#) [F358300-B](#)
[F407400](#) [F444110](#) [F487000](#) [F509500B-B](#) [827153-1](#) [8N1515-32-24P](#) [9-1326729-8](#) [925474-1](#) [928905-1](#) [964562-4](#) [968782-1](#) [GT17SA-8DS-](#)
[HU](#) [98891-1012](#) [98947-1016](#) [12004147](#) [12004475-L](#) [12010290](#) [12010309-B](#) [12015454](#) [12020219-B](#) [12020308](#) [12041318-B](#) [12052225-L](#)
[12052466](#) [12059125](#) [12064869](#) [12004327-B](#) [12010503-B](#) [12015308](#) [12015384](#) [12015909](#) [1-21030-1](#) [12041254](#) [12041318](#) [12047946-B](#)
[12047957](#) [12047957-L](#) [12059473](#) [12066261](#)