

REVISIONS			
LTR	DESCRIPTION	DATE	APPROVED
A	REVISED PER E.C.N. T-5959	86-1-13	I.M.
B	REVISED REDRAWN PER E.C.N. T-10097	88-5-17	345

NOTES:

1. PART DESCRIPTION: BRAID TERMINATOR ASSEMBLY

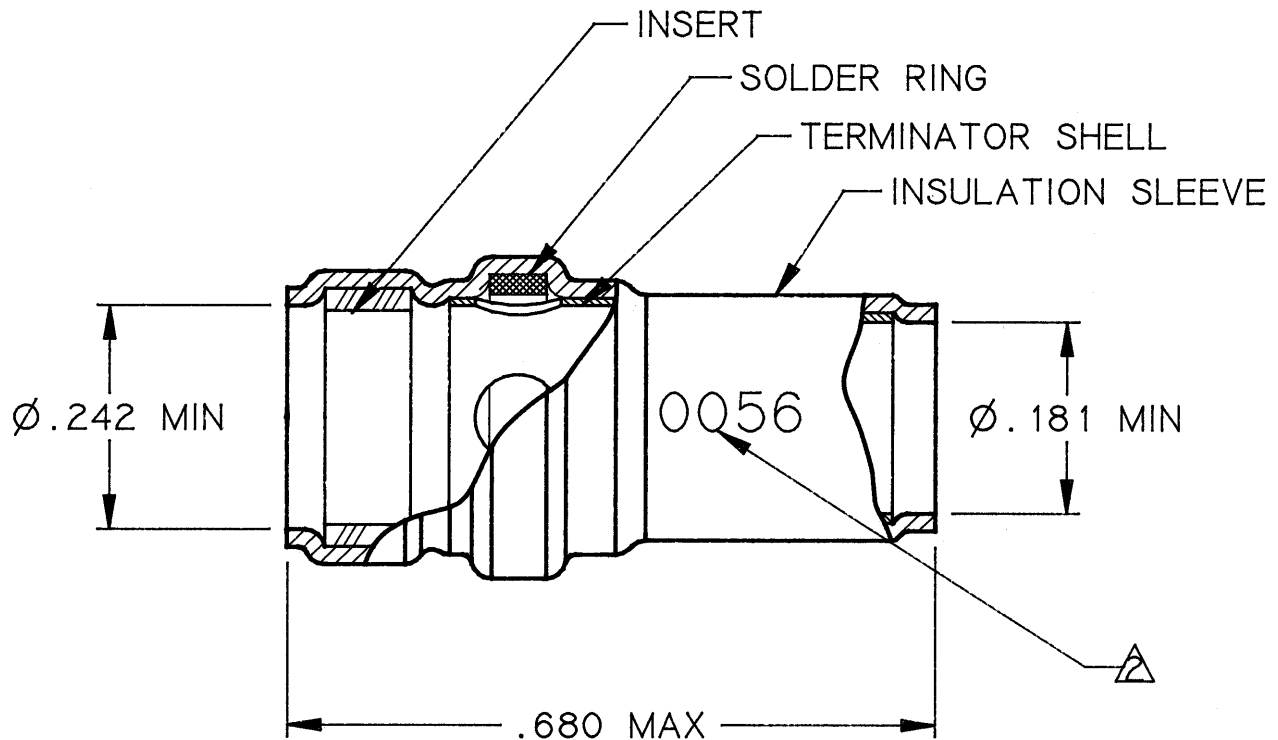
A. MATERIAL:

1. INSULATION SLEEVE: HEAT SHRINKABLE POLYVINYLIDENE FLUORIDE.
2. SOLDER RING: COMPOSITION Sn63, PER QQ-S-571.
3. TERMINATOR SHELL: BRASS ALLOY, PER QQ-B-626C.
4. INSERT: IMMERSION RESISTANT THERMOPLASTIC.


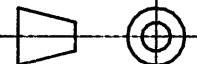
B. FINISH:

1. TERMINATOR SHELL: SOLDER - PLATED PER MIL-P-81728A OVER NICKEL PER QQ-N-290.

 MARKING: "0056", YELLOW INK, RANDOM ORIENTATION.



SPECIFICATION CONTROL DRAWING © Raychem Corporation 1988

UNLESS OTHERWISE SPECIFIED DIMENSIONS ARE IN INCHES. METRIC DIMENSIONS ARE IN BRACKETS. DECIMALS .XXX ± N/A [mm] .XX ± N/A [mm] ANGLES .X ± N/A WEIGHT lbs [g]	DRAWN RDL 88-5-13	 RAYCHEM CORPORATION 300 CONSTITUTION DRIVE MENLO PARK, CALIFORNIA 94025	TITLE BRAID TERMINATOR ASSEMBLY WITH SEAL				
	CHECKED		APPROVED 345 88-5-17	SIZE A	CODE IDENT. NO. 06090	DWG. NO. D-600-0056	REV B
	APPROVED		CAD NAME RDL E: \SCD\196305S	DO NOT SCALE THIS DRAWING		SHEET 1 OF 1	
	THIRD ANGLE PROJECTION						

X-ON Electronics

Largest Supplier of Electrical and Electronic Components

Click to view similar products for [Data Bus Components - Terminators](#) category:

Click to view products by [TE Connectivity](#) manufacturer:

Other Similar products are found below :

[CB1052-000](#) [D-500-0263-017](#) [D-500-0463-J24-R120](#) [44101R](#) [44100R](#) [D-500-0463-612](#) [D-500-0463-H44-R120](#) [331448-000](#) [958363-000](#)