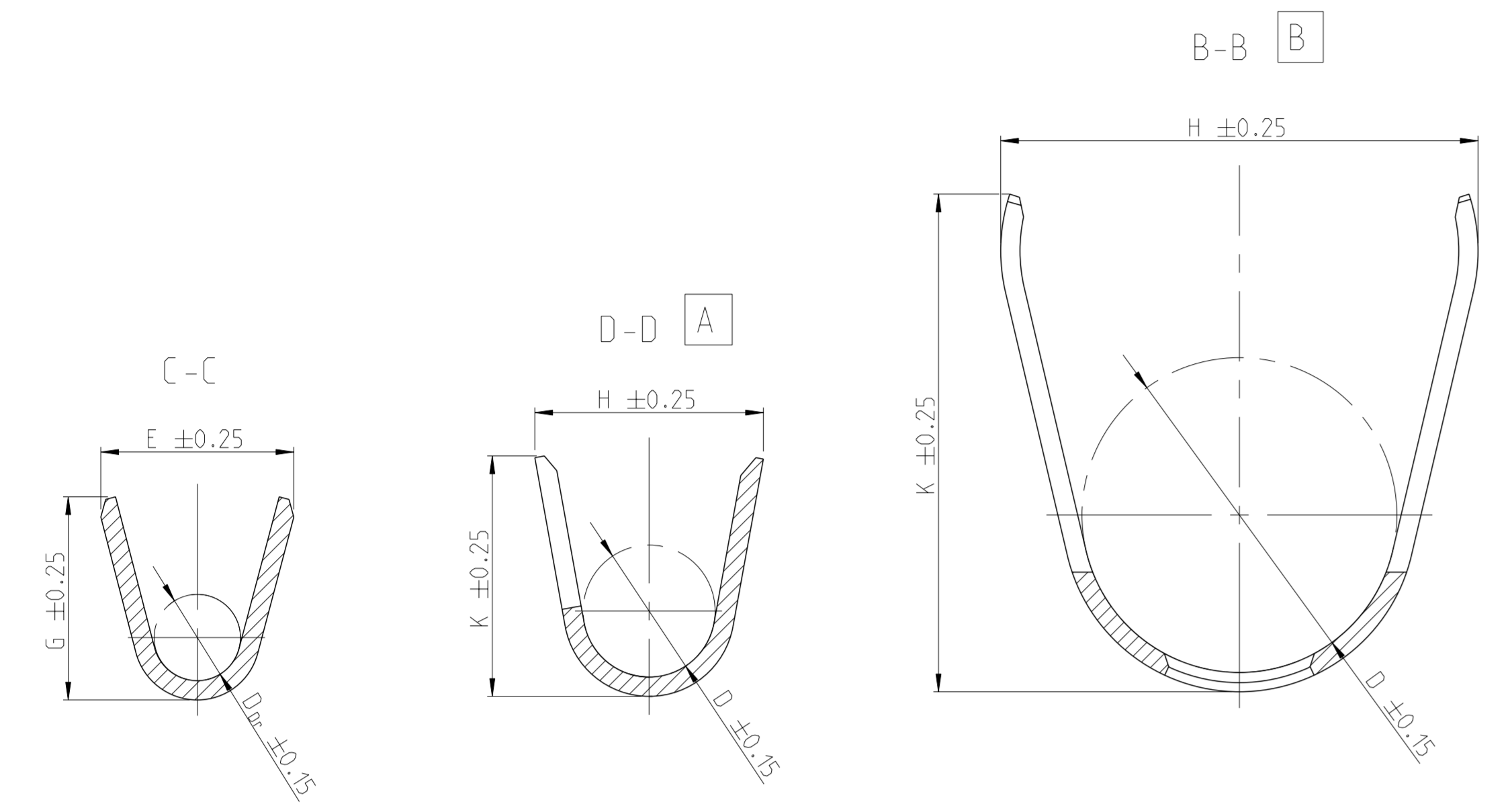


NOTES  
Bemerkungen

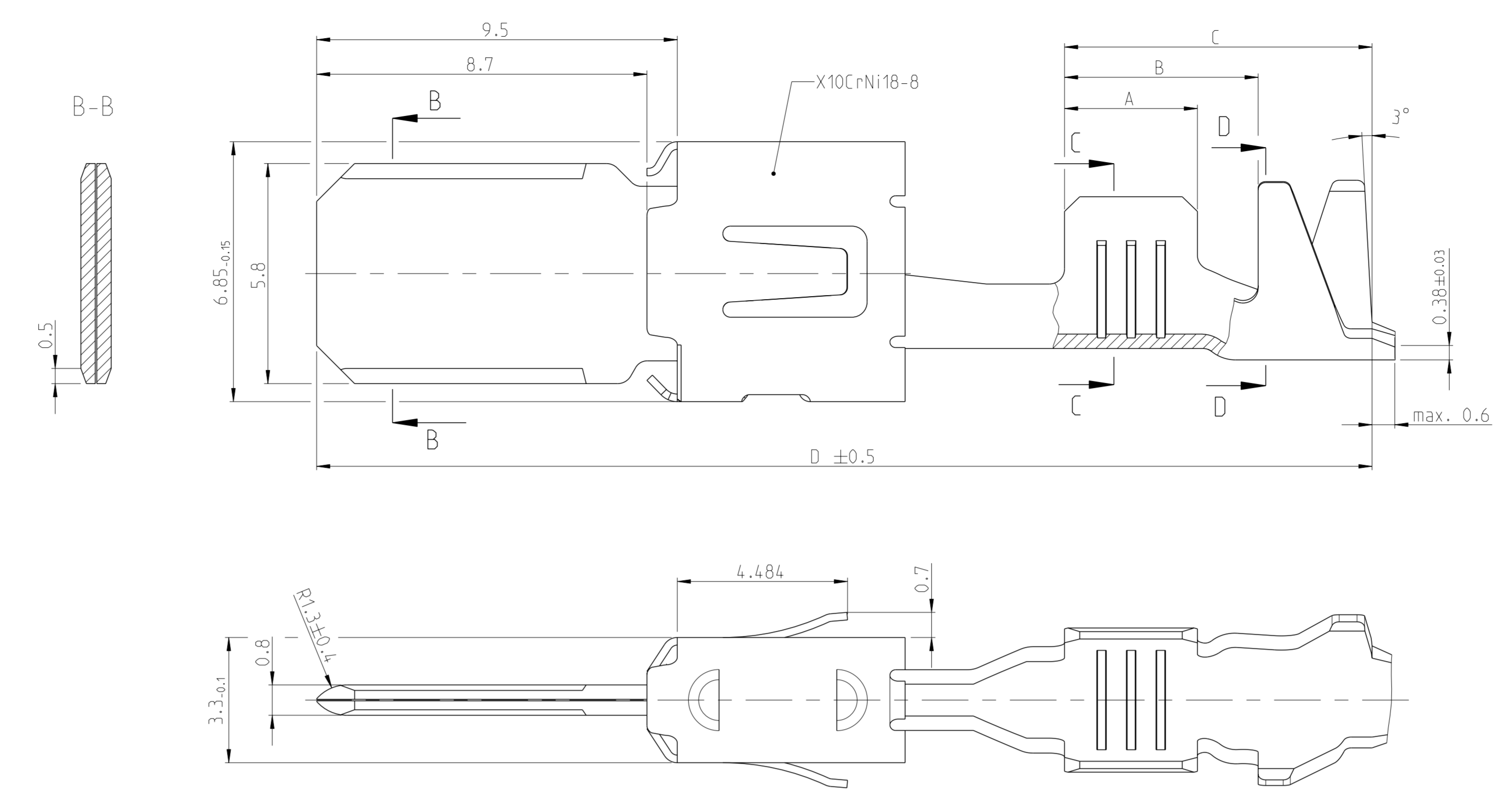
CONTACT AREA PRE SILVER MIN. 3µm  
OTHER AREA PRE SILVER MIN. 1µm  
SPRING BLANK  
Kontaktzone vorversilbert min. 3µm  
übriger Bereich vorversilbert min. 1µm  
Ueberfeder blank

PRE TIN MIN. 1µm  
SPRING BLANK  
Vorverzinkt min. 1µm  
Ueberfeder blank



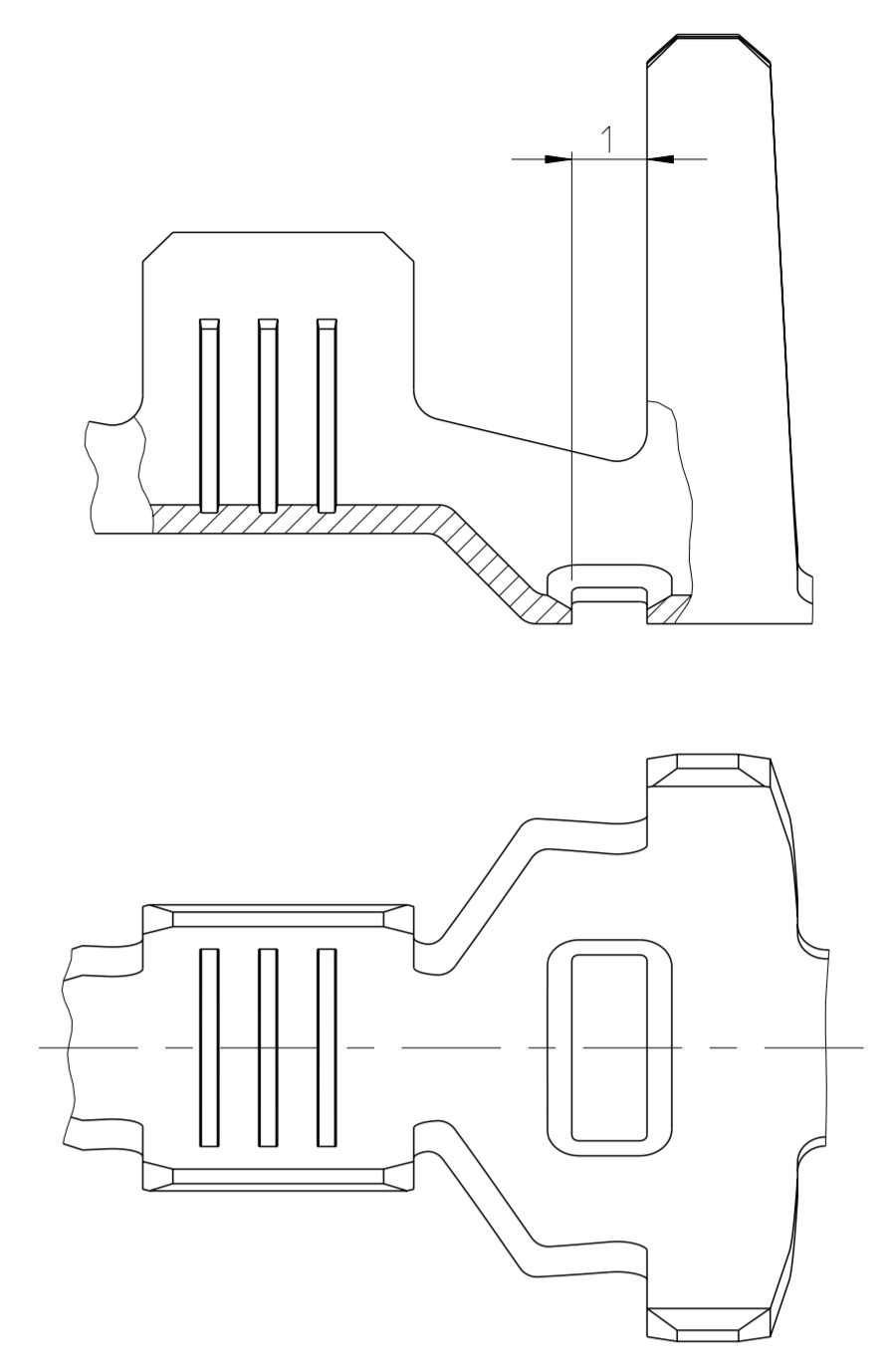
FLR-/FLK-WIRE  
FLR-/FLK-Leitung

DESIGN 1  
Ausführung 1

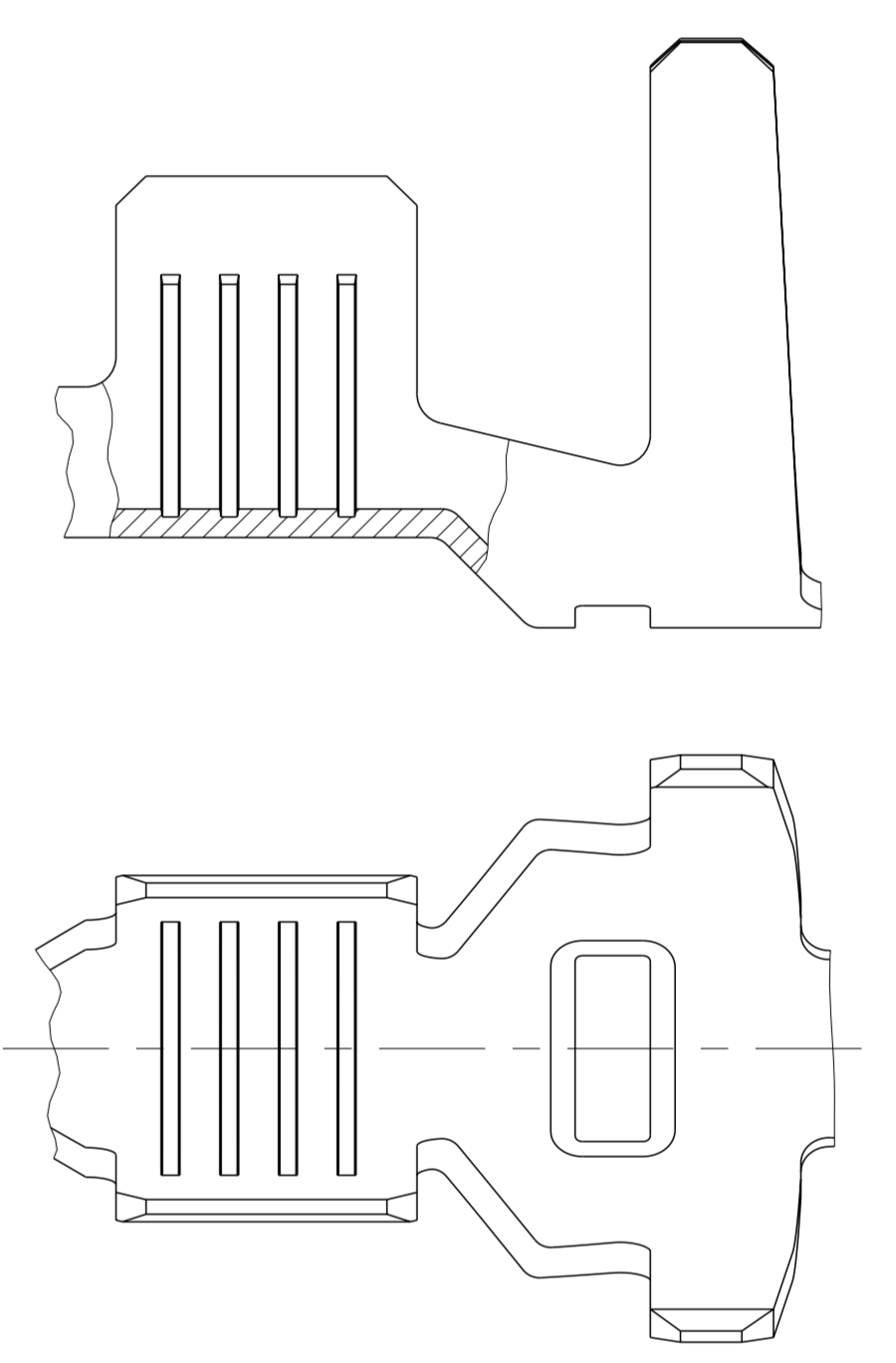


SINGLE WIRE SEAL  
Einzeldichtungssystem

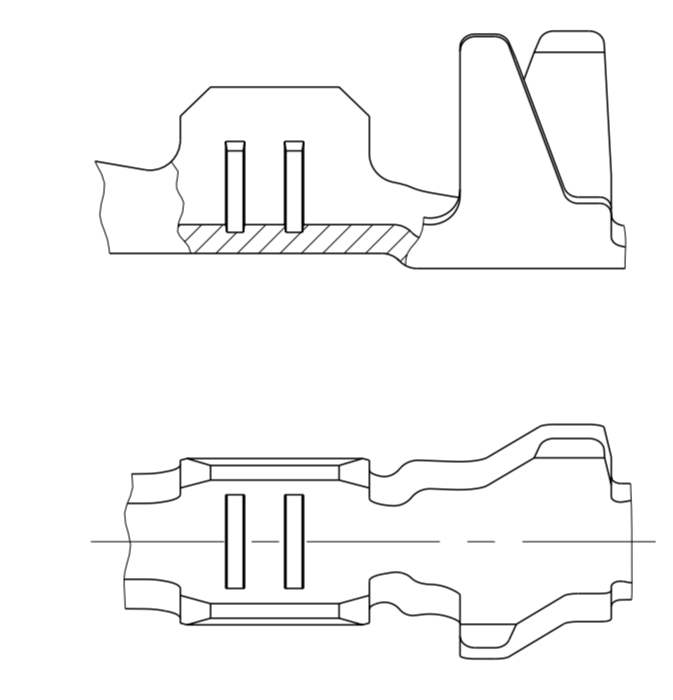
DESIGN 5  
Ausführung 5



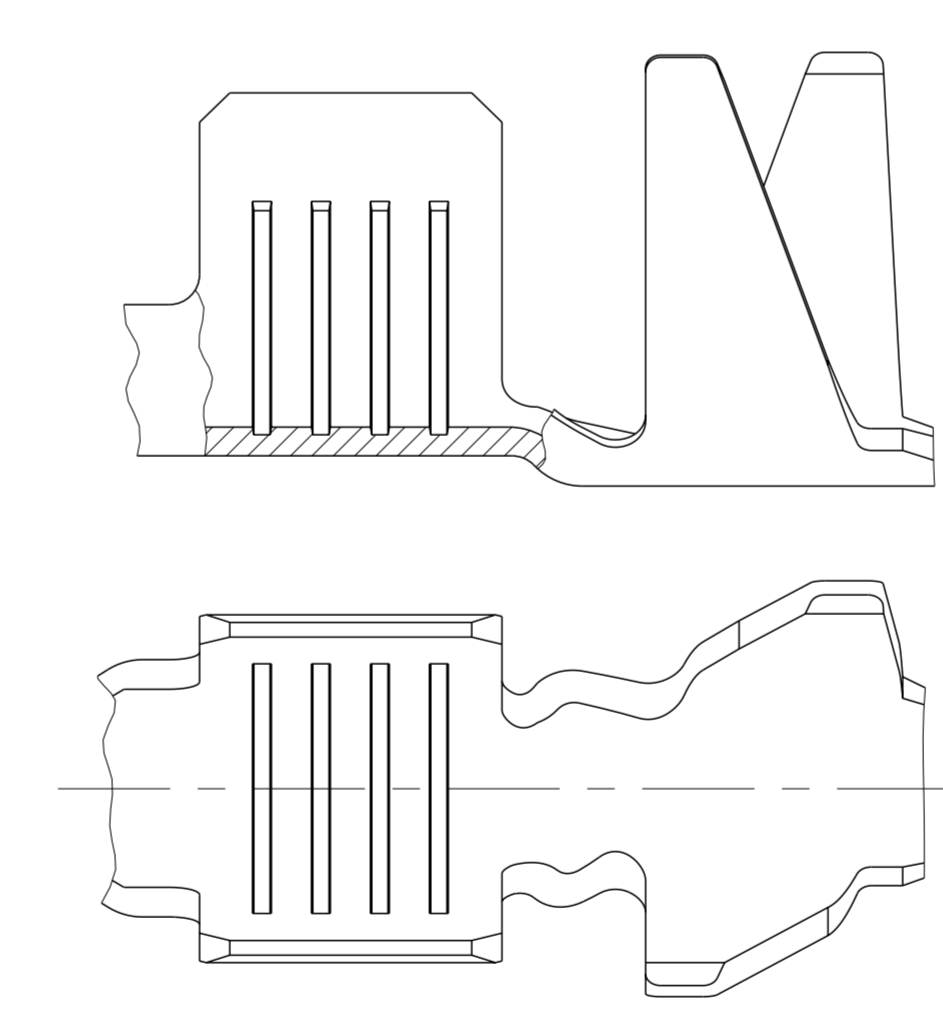
DESIGN 6  
Ausführung 6



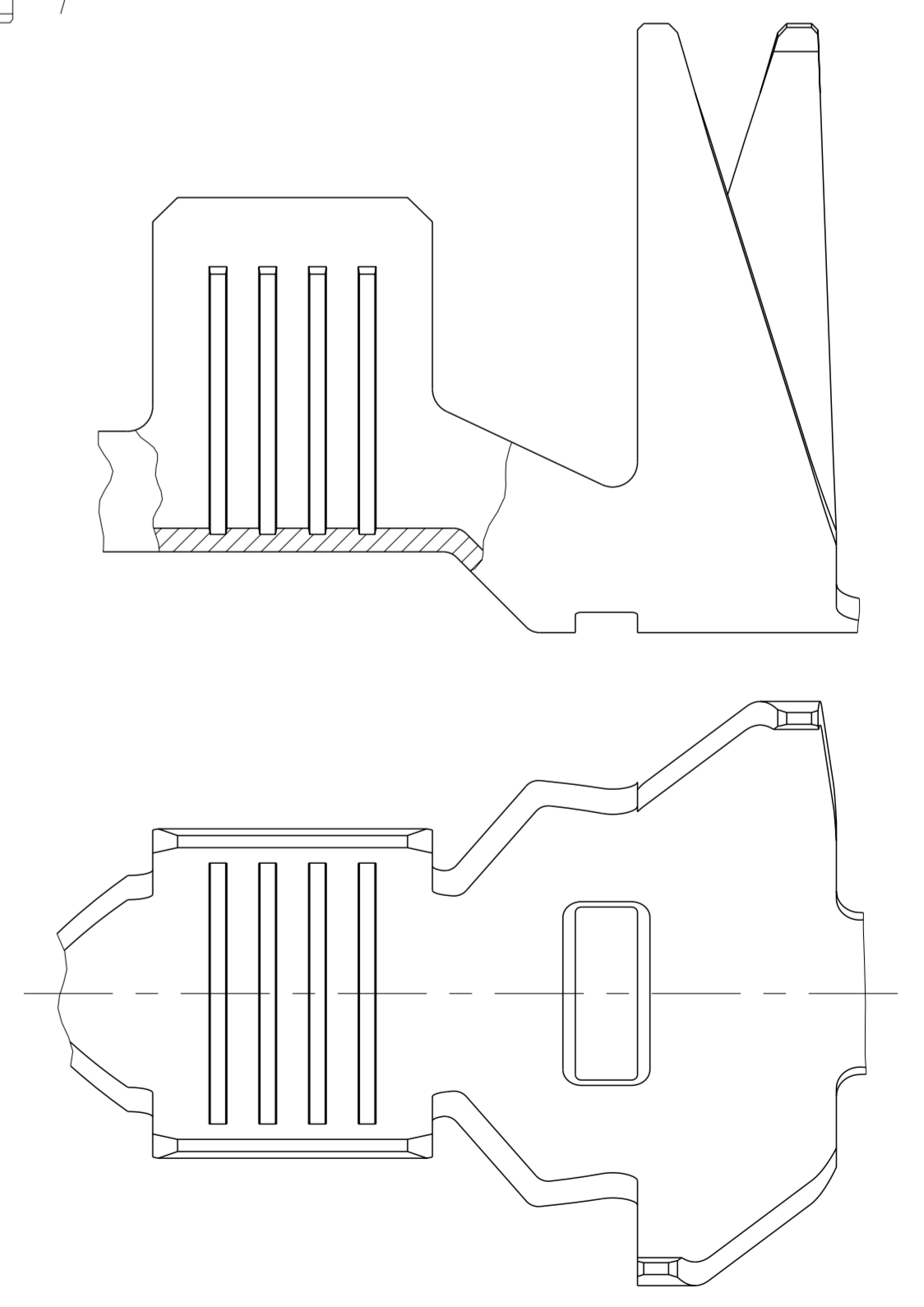
DESIGN 2  
Ausführung 2



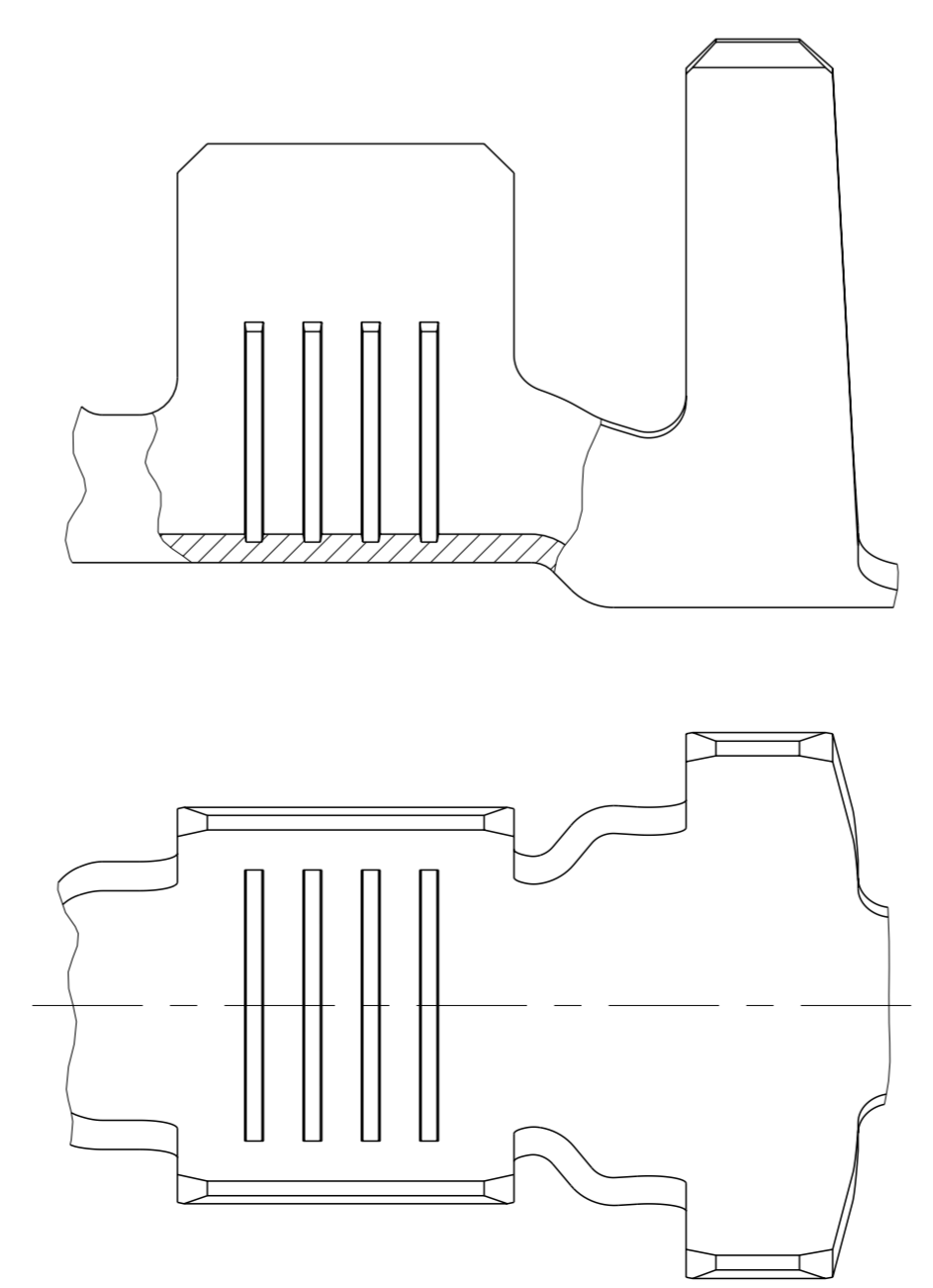
DESIGN 3  
Ausführung 3



DESIGN 7  
Ausführung 7



DESIGN 4  
Ausführung 4



TE ORDER-NO. STRIP FORM TE Bestellnr. Bandware	REV.	DESIGN Ausführung	MATERIAL Werkstoff	SURFACE Oberfläche	DGB mm²	WIRE CRIMP Drahtcrimp	INSUL. CRIMP Isolationscrimp	WIRE CRIMP HEIGHT CH Drahtcrimphöhe CH	APPLICATION TOOL (MQC APPLICATOR HD) Anschlagwerkzeug	EXTRACTION TOOL Ausdrückwerkzeug No. 726548-1	CRIMP DIMENSIONS mm Crimpabmessungen mm				
											A	B	C	D	
SINGLE WIRE SEAL / Einzeldichtungssystem	2-2112966-2	A	7	CuFe2	△	6.0 AWG 10	SEE / siehe SECTION A-A Schnitt A-A	SEE / siehe SECTION B-B Schnitt B-B	SEE / siehe WIRE CRIMP Drahtcrimp		1855636-6	4.5	7.8	11.0	29.3
	2-962919-2	E	6	CuFe2	△	4.0	E = 5.3 G = 5.7 D <sub>Dr</sub> = 2.9	H = 9.4 K = 9.8 D = 6.2	6.0 mm² = 2.35 AWG 10 = 2.30		2-878567-2	4.0	7.1	9.1	28.3
	1-962919-2	D		CuSn4	△		E = 4.6 G = 4.8 D <sub>Dr</sub> = 2.3	H = 7.8 K = 7.8 D = 5.5	4.0 mm² = 2.34	539757-2					
	1-962919-1	D		CuFe2	△		E = 3.8 G = 4.0 D <sub>Dr</sub> = 1.7	H = 7.8 K = 7.8 D = 5.5	2.5 mm² = 1.97 2.0 mm² = 1.83 1.5 mm² = 1.69	2-878566-2					
	2-962918-2	E	5	CuFe2	△	>1.0 - 2.5	E = 2.8 G = 3.0 D <sub>Dr</sub> = 1.1	H = 7.8 K = 7.8 D = 5.5	1.0 mm² = 1.56 0.75 mm² = 1.47 0.5 mm² = 1.38		2-878565-2	3.6	6.7	8.7	28.3
	2-962918-1	E		CuSn4	△		E = 2.8 G = 3.0 D <sub>Dr</sub> = 1.1	H = 7.8 K = 7.8 D = 5.5	1.0 mm² = 1.56 0.75 mm² = 1.47 0.5 mm² = 1.38	539757-2					
	1-962918-2	D		CuSn4	△		E = 2.8 G = 3.0 D <sub>Dr</sub> = 1.1	H = 7.8 K = 7.8 D = 5.5	1.0 mm² = 1.56 0.75 mm² = 1.47 0.5 mm² = 1.38	539757-2					
	2-962917-1	E	5	CuFe2	△	0.5 - 1.0	E = 5.3 G = 5.6 D <sub>Dr</sub> = 2.9	H = 7.3 K = 7.6 D = 4.6	6.0 mm² = 2.55 4.0 mm² = 2.17		2-878968-2	4.5	6.8	9.1	28.8
	1-962917-2	D		CuSn4	△		E = 4.6 G = 4.8 D <sub>Dr</sub> = 2.4	H = 6.7 K = 7.0 D = 4.0	4.0 mm² = 2.33	539759-2					
	1-962917-1	D		CuSn4	△		E = 3.8 G = 4.0 D <sub>Dr</sub> = 1.7	H = 5.7 K = 5.9 D = 3.2	2.5 mm² = 1.97 2.0 mm² = 1.83 1.5 mm² = 1.69	2-878563-2 539759-2					
	2-968050-1	A	4	CuFe2	△	6.0	E = 5.3 G = 5.6 D <sub>Dr</sub> = 2.9	H = 7.3 K = 7.6 D = 4.6	6.0 mm² = 2.55 4.0 mm² = 2.17		2-878968-2	4.5	6.8	9.1	28.8
	1-968050-1	A		CuSn4	△		E = 4.6 G = 4.8 D <sub>Dr</sub> = 2.4	H = 6.7 K = 7.0 D = 4.0	4.0 mm² = 2.33	539759-2					
2-962846-1	D	CuFe2		△	E = 3.8 G = 4.0 D <sub>Dr</sub> = 1.7		H = 5.7 K = 5.9 D = 3.2	2.5 mm² = 1.97 2.0 mm² = 1.83 1.5 mm² = 1.69	2-878563-2 539759-2						
1-962846-2	C	3	CuSn4	△	4.0	E = 5.3 G = 5.6 D <sub>Dr</sub> = 2.9	H = 7.3 K = 7.6 D = 4.6	6.0 mm² = 2.55 4.0 mm² = 2.17		2-878564-2	4.0	6.0	10.8	30.5	
1-962846-1	C		CuSn4	△		E = 4.6 G = 4.8 D <sub>Dr</sub> = 2.4	H = 6.7 K = 7.0 D = 4.0	4.0 mm² = 2.33	539759-2						
1-962845-2	D		CuSn4	△		E = 3.8 G = 4.0 D <sub>Dr</sub> = 1.7	H = 5.7 K = 5.9 D = 3.2	2.5 mm² = 1.97 2.0 mm² = 1.83 1.5 mm² = 1.69	2-878563-2 539759-2						
1-962845-1	D	1	CuSn4	△	>1.0 - 2.5	E = 3.8 G = 4.0 D <sub>Dr</sub> = 1.7	H = 5.7 K = 5.9 D = 3.2	2.5 mm² = 1.97 2.0 mm² = 1.83 1.5 mm² = 1.69		2-878563-2 539759-2	3.6	5.2	9.0	28.7	
FLR-WIRE / FLR-Leitung	2-968050-2	A	4	CuFe2	△	6.0	E = 5.3 G = 5.6 D <sub>Dr</sub> = 2.9	H = 7.3 K = 7.6 D = 4.6	6.0 mm² = 2.35		2836646	4.5	6.8	9.1	28.8
	2-963736-2	C	3	CuFe2	△	4.0	E = 4.6 G = 4.8 D <sub>Dr</sub> = 2.3	H = 5.5 K = 5.7 D = 3.2	4.0 mm² = 2.33		2-878562-2	4.0	5.9	9.3	29.0
	2-963736-1	C		CuSn4	△		E = 4.6 G = 4.8 D <sub>Dr</sub> = 2.3	H = 5.5 K = 5.7 D = 3.2	4.0 mm² = 2.33	-					
	1-963736-2	B		CuSn4	△		E = 4.6 G = 4.8 D <sub>Dr</sub> = 2.3	H = 5.5 K = 5.7 D = 3.2	4.0 mm² = 2.33	-					
	1-963736-1	B	1	CuFe2	△	>1.0 - 2.5	E = 3.8 G = 4.0 D <sub>Dr</sub> = 1.7	H = 4.5 K = 4.7 D = 2.6	2.5 mm² = 1.97 2.0 mm² = 1.83 1.5 mm² = 1.69		2-878561-2	3.5	5.1	8.1	27.8
	2-963735-2	C		CuSn4	△		E = 3.8 G = 4.0 D <sub>Dr</sub> = 1.7	H = 4.5 K = 4.7 D = 2.6	2.5 mm² = 1.97 2.0 mm² = 1.83 1.5 mm² = 1.69	-					
	2-963735-1	B		CuSn4	△		E = 3.8 G = 4.0 D <sub>Dr</sub> = 1.7	H = 4.5 K = 4.7 D = 2.6	2.5 mm² = 1.97 2.0 mm² = 1.83 1.5 mm² = 1.69	-					
	2-963734-2	C	1	CuFe2	△	0.5 - 1.0	E = 2.8 G = 3.0 D <sub>Dr</sub> = 1.1	H = 3.3 K = 3.5 D = 1.8	1.0 mm² = 1.56 0.75 mm² = 1.47 0.5 mm² = 1.38		2-878654-2	3.0	4.6	6.8	26.5
	2-963734-1	C		CuSn4	△		E = 2.8 G = 3.0 D <sub>Dr</sub> = 1.1	H = 3.3 K = 3.5 D = 1.8	1.0 mm² = 1.56 0.75 mm² = 1.47 0.5 mm² = 1.38	539759-2					
	1-963734-2	B		CuSn4	△		E = 2.8 G = 3.0 D <sub>Dr</sub> = 1.1	H = 3.3 K = 3.5 D = 1.8	1.0 mm² = 1.56 0.75 mm² = 1.47 0.5 mm² = 1.38	539759-2					
	1-963734-1	B	2	CuFe2	△	0.2 - 0.5	E = 2.2 G = 2.2 D <sub>Dr</sub> = 0.8	H = 3.1 K = 3.1 D = 1.4	-		-	2.5	3.7	5.7	26.5
	2-965984-1	A		CuSn4	△		E = 2.2 G = 2.2 D <sub>Dr</sub> = 0.8	H = 3.1 K = 3.1 D = 1.4	-	-					
1-965984-1	B	CuSn4		△	E = 2.2 G = 2.2 D <sub>Dr</sub> = 0.8		H = 3.1 K = 3.1 D = 1.4	-	-						

## X-ON Electronics

Largest Supplier of Electrical and Electronic Components

*Click to view similar products for [Automotive Connectors](#) category:*

*Click to view products by [TE Connectivity](#) manufacturer:*

Other Similar products are found below :

[003-018-000](#) [60403001](#) [60993906-B](#) [M902-2131](#) [M902-2161](#) [M902-2344](#) [72.330.1035.1](#) [73.353.4028.0](#) [F119300-B](#) [F166900](#) [F258300-B](#)  
[F358300-B](#) [F407400](#) [F444110](#) [F487000](#) [F509500B-B](#) [827153-1](#) [8N1515-32-24P](#) [9-1326729-8](#) [925474-1](#) [928905-1](#) [964562-4](#) [968782-1](#)  
[GT17SA-8DS-HU](#) [98891-1012](#) [98947-1016](#) [12004147](#) [12004475-L](#) [12010290](#) [12010309-B](#) [12015454](#) [12020219-B](#) [12041318-B](#) [12052225-](#)  
[L](#) [12052466](#) [12064869](#) [12004327-B](#) [12015308](#) [12015384](#) [12015909](#) [1-21030-1](#) [12041254](#) [12041318](#) [12047946-B](#) [12047957](#) [12047957-L](#)  
[12059473](#) [12066261](#) [12110546](#) [12110546-B](#)