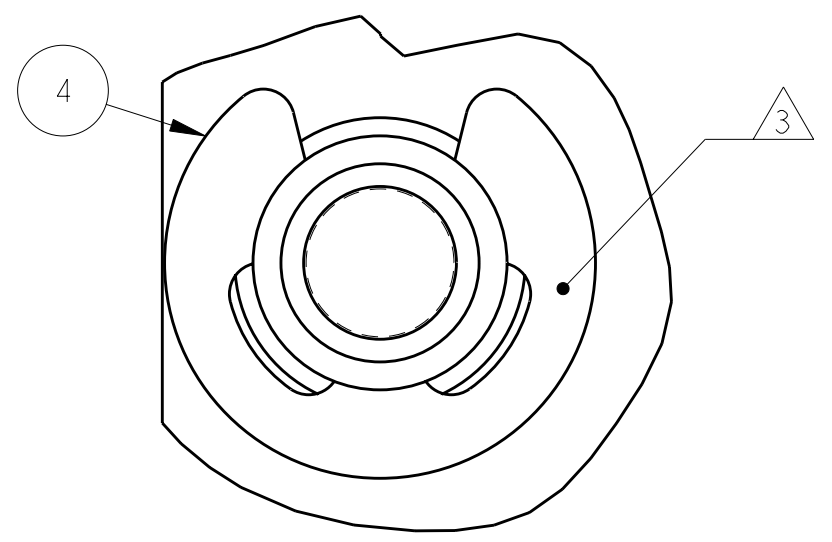
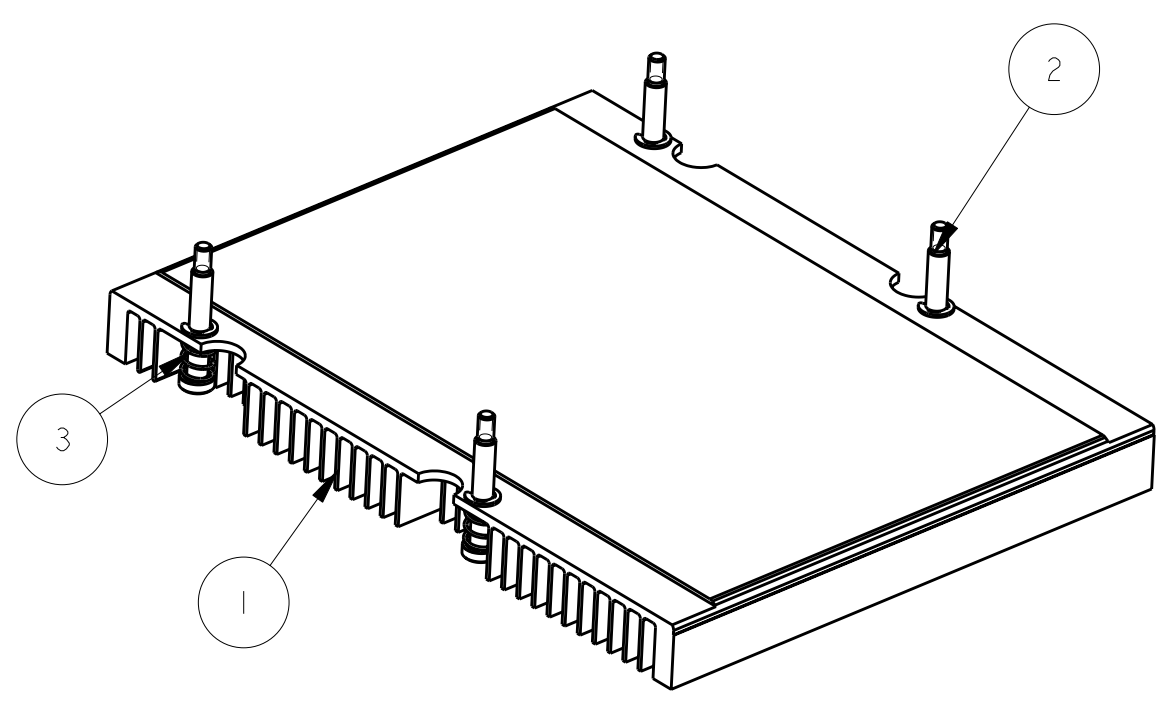


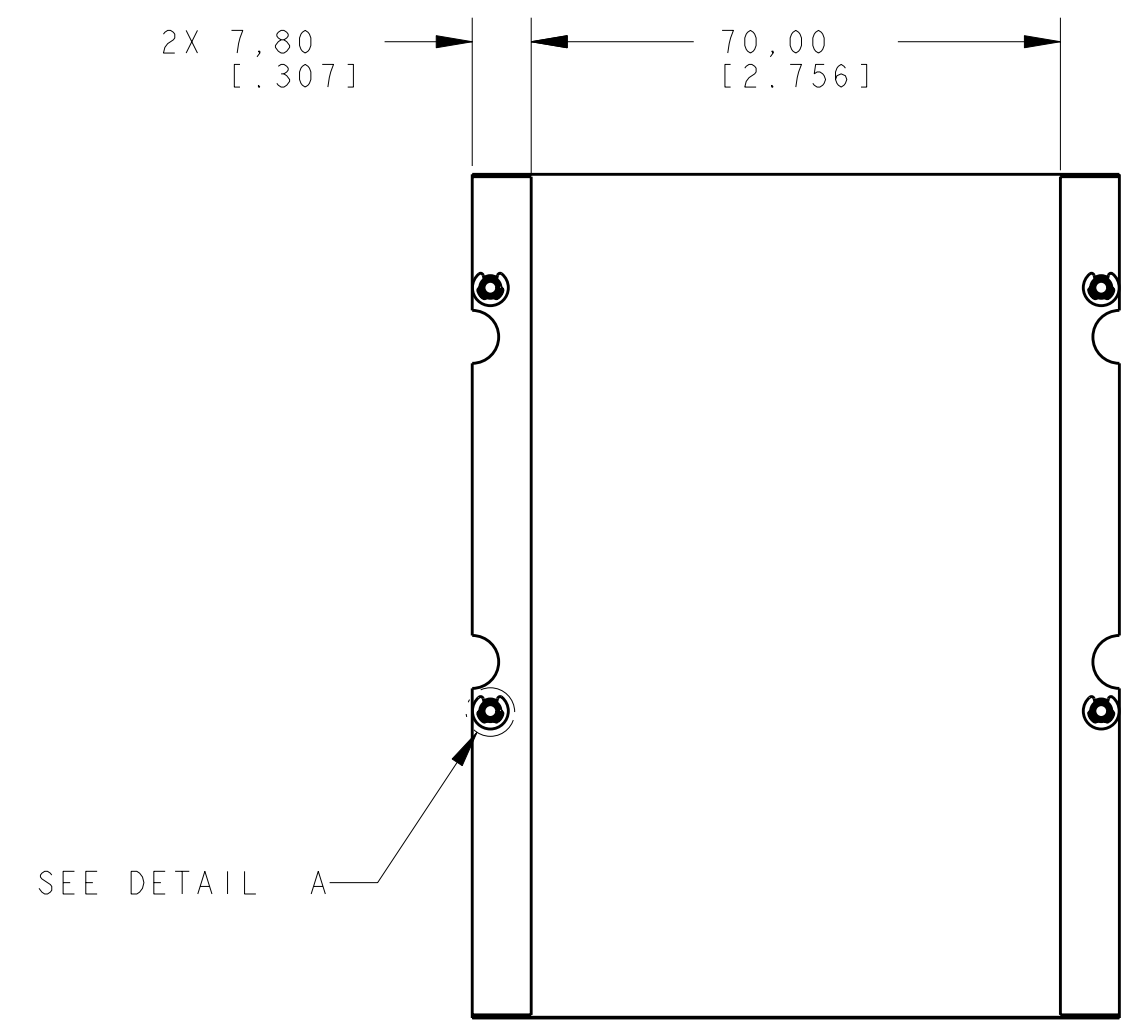
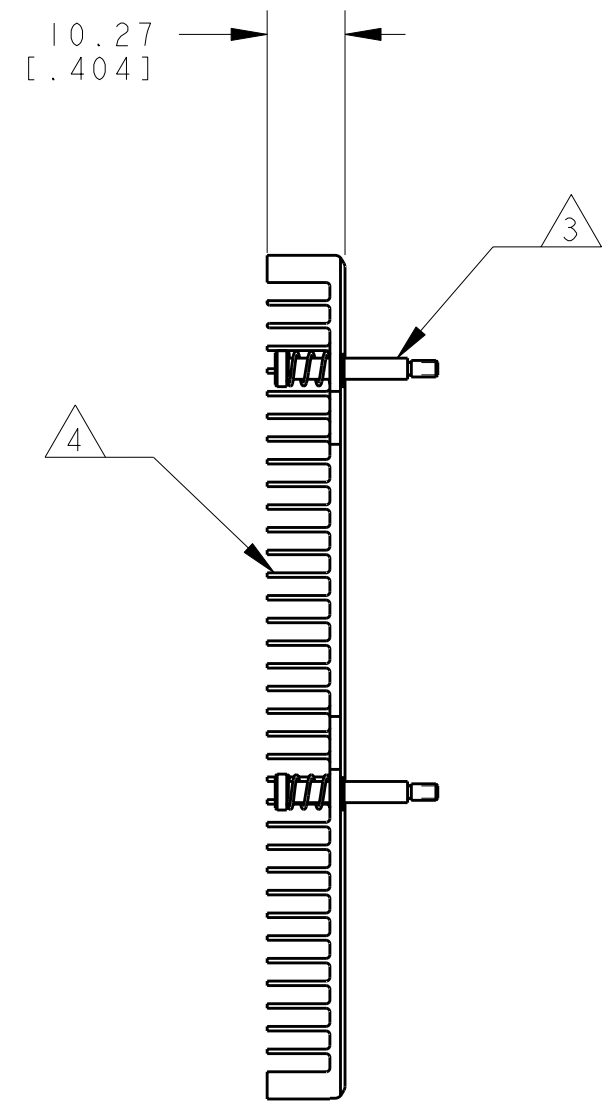
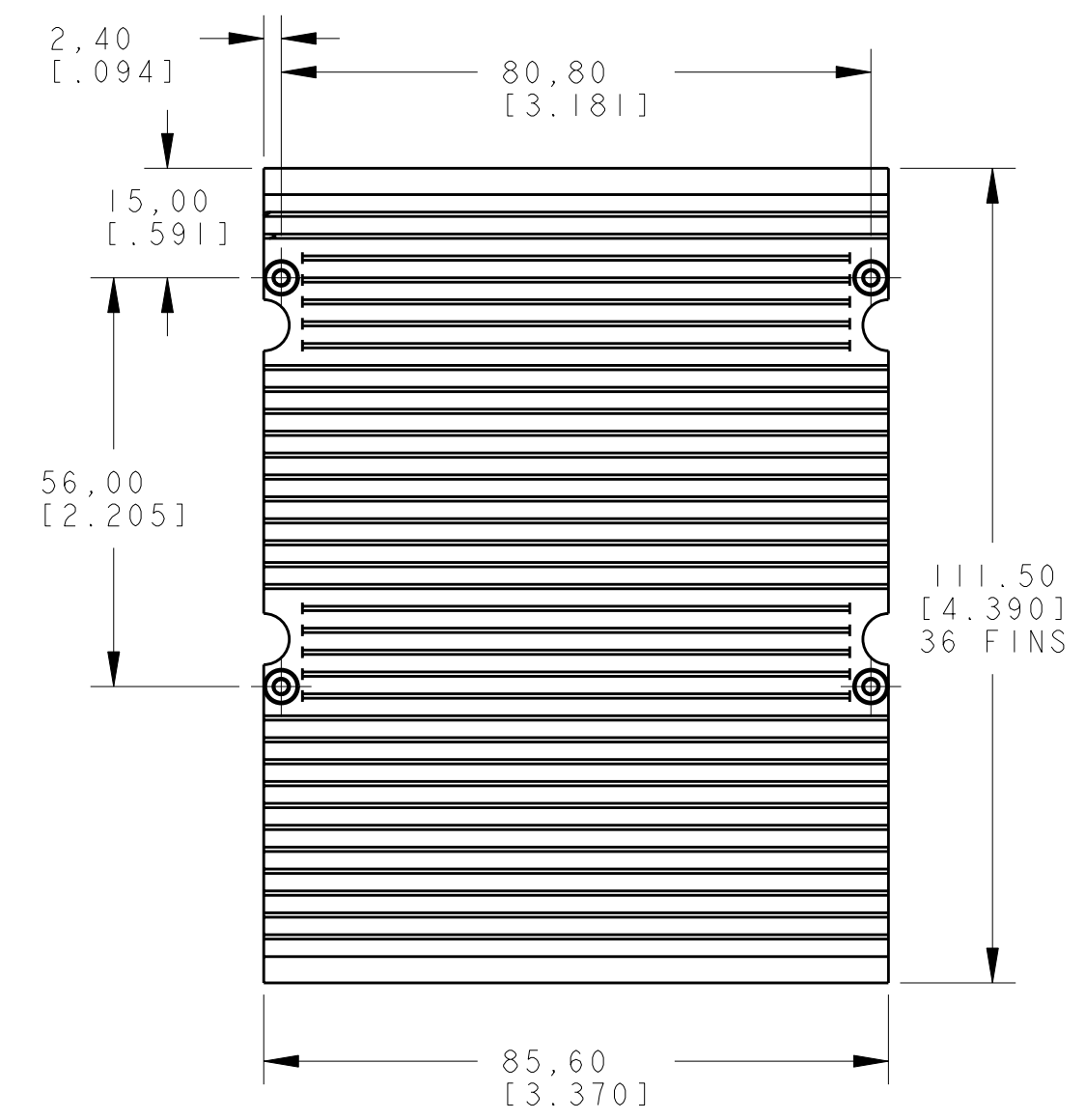
LOC	DIST	REVISIONS			
P	LTR	DESCRIPTION	DATE	DWN	APVD
C2		REVISED PER ECO-11-004587	11MAR2011	RK	HMR
D		REVISED ECR-11-020698	25OCT2011	C.D	C.W



DETAIL A
SCALE 12.000

- 1 AS SHOWN

- NOTES: UNLESS OTHERWISE SPECIFIED:
- ① HEATSINK MATERIAL: ALUMINUM ALLOY
 - ② FINISH: ANNOXIDIZED
 - ③ 2-56 SHOULDER BOLT AND SPRING PRE-ASSEMBLED AND HELD IN PLACE WITH CLIP
 - ④ FULL ROUND PERMITTED ON TOP OF HEATSINK FINS



SEE DETAIL A

QTY	UNIT	DESCRIPTION	ITEM NO.
4	4	E-CLIP	4
4	4	SPRING	3
4	4	2-56 SHOULDER SCREW	2
1	-	HEAT SINK (22 FINS)	1
-	1	HEAT SINK (36 FINS)	
-2	-1	DESCRIPTION	ITEM NO.

THIS DRAWING IS A CONTROLLED DOCUMENT.		DWN BM 3-5-09	TE Connectivity	
DIMENSIONS: mm (inch)		CHK B. STRATTON 3-5-09		
TOLERANCES UNLESS OTHERWISE SPECIFIED:		APVD J. FARY 5-11-09	NAME HEAT SINK ASSEMBLY 100 GIG PLUGGABLE	
0 PLC ± 1 PLC ±0.5 2 PLC ±0.25 3 PLC ±0.125 4 PLC ±0.0001 ANGLES ±° FINISH		PRODUCT SPEC -	SIZE CAGE CODE DRAWING NO RESTRICTED TO	
MATERIAL ①		APPLICATION SPEC -	A20779C-1963856	
②		WEIGHT -	SCALE 1.000 SHEET 1 OF 2 REV D	
CUSTOMER DRAWING				

4

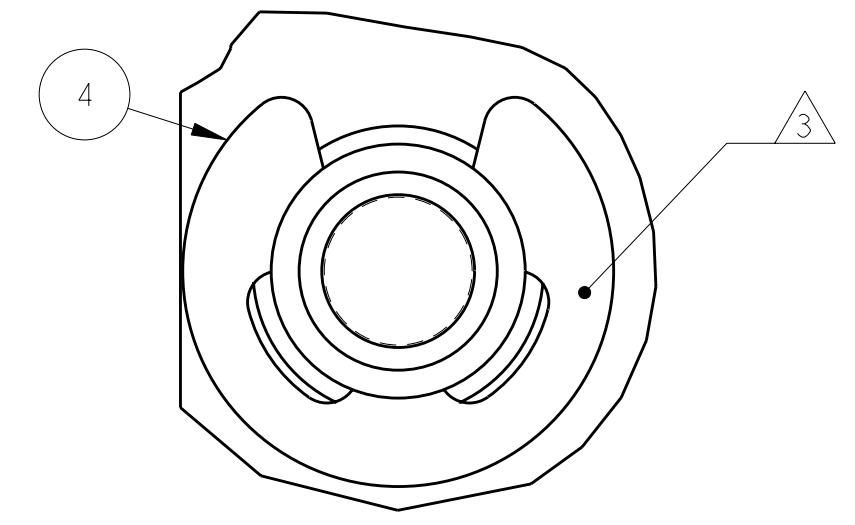
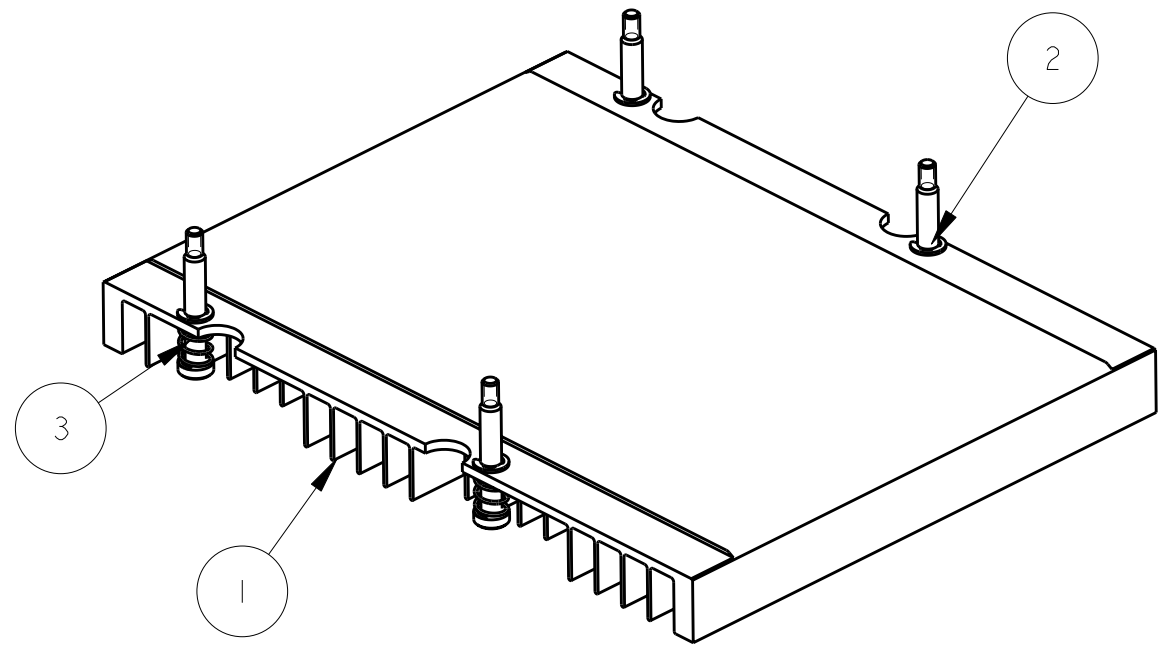
3

2

1

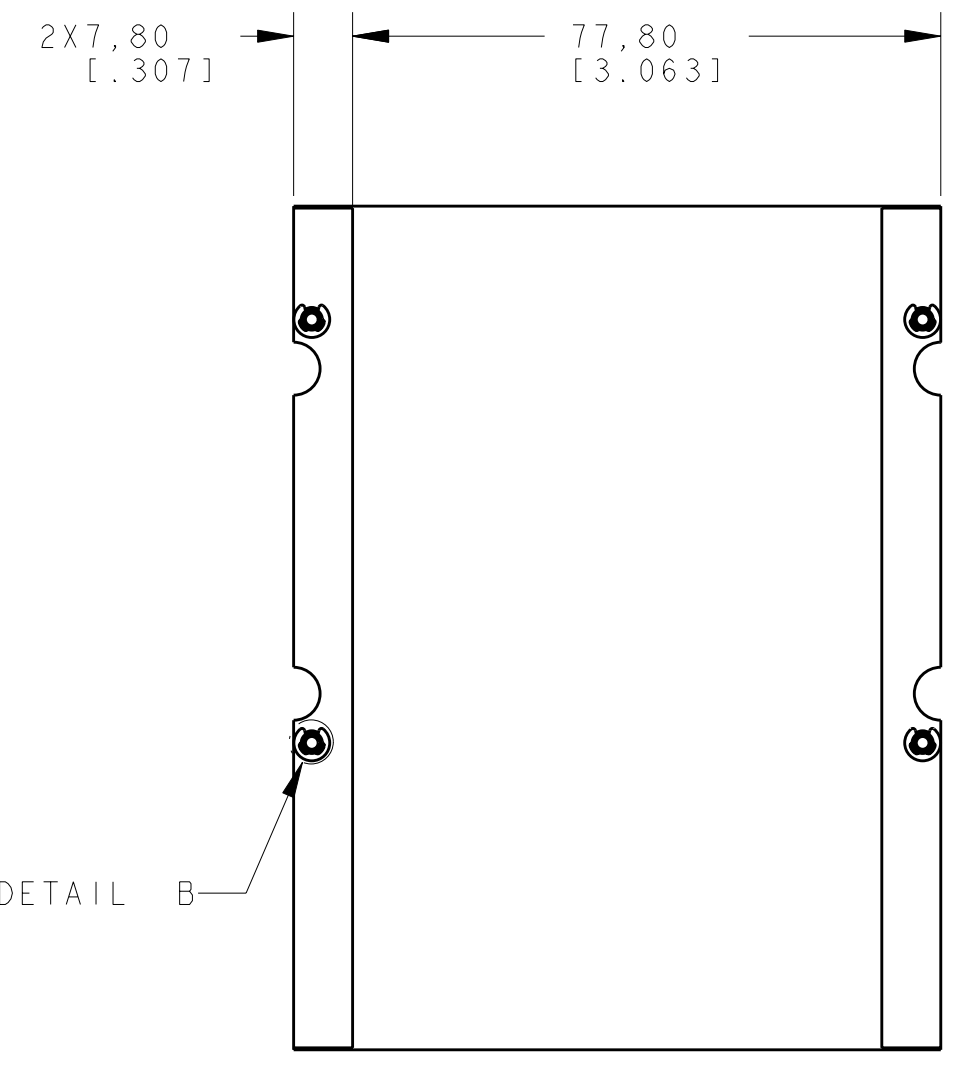
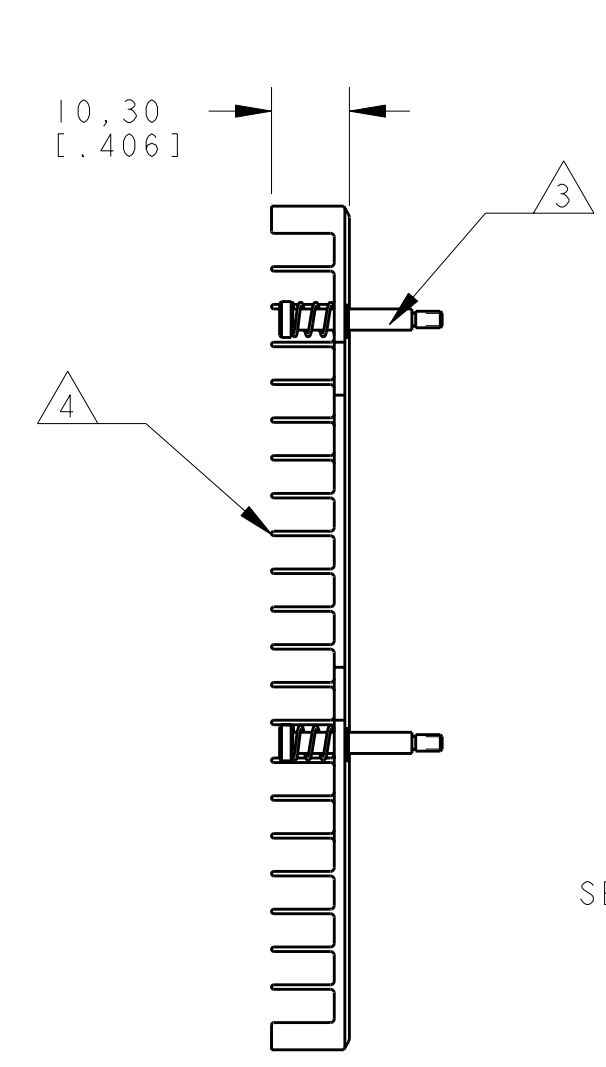
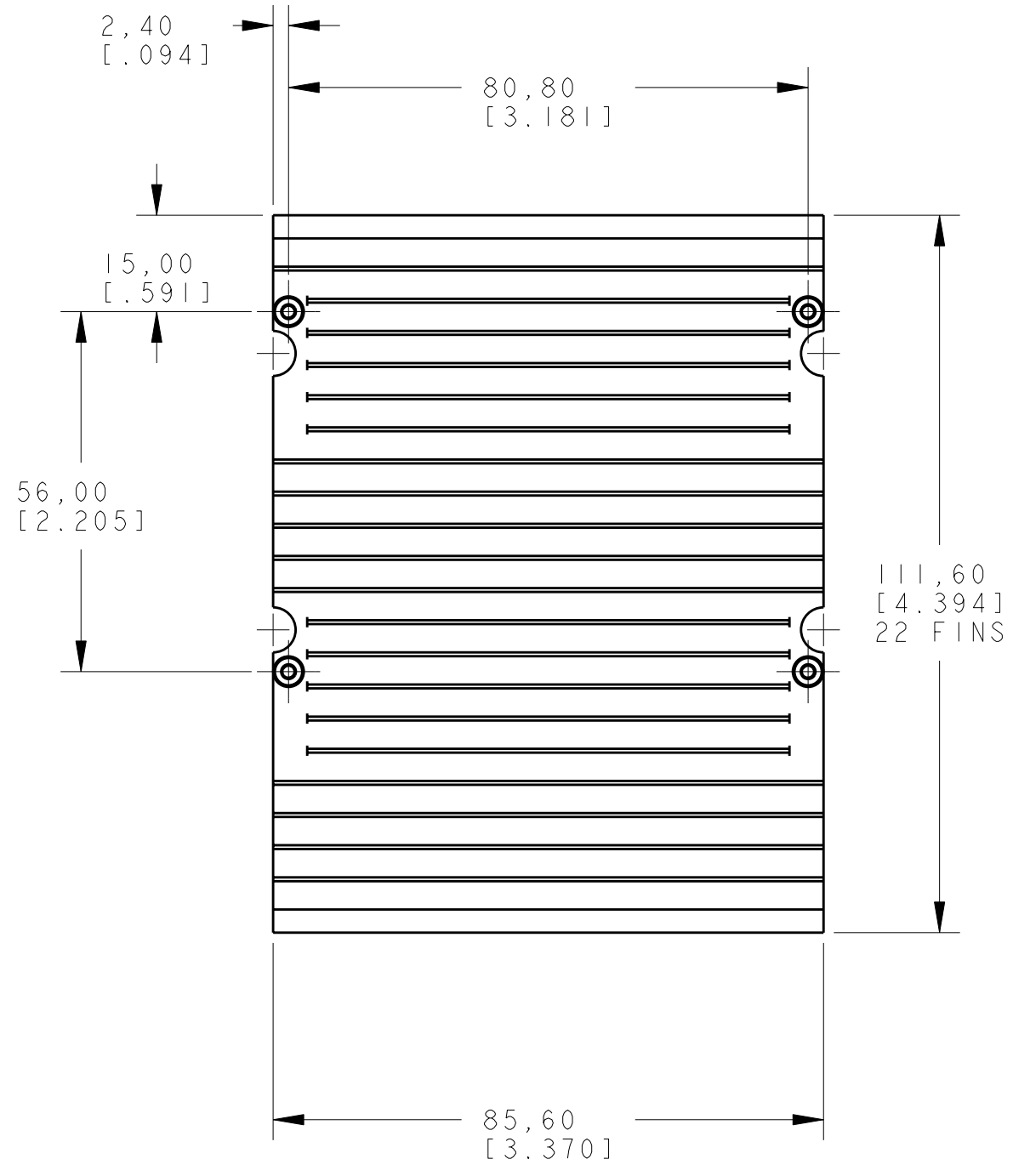
THIS DRAWING IS UNPUBLISHED. RELEASED FOR PUBLICATION 20
 © COPYRIGHT 20 BY - ALL RIGHTS RESERVED.

LOC		DIST		REVISIONS			
P	LTR	DESCRIPTION	DATE	DWN	APVD		
-	-	SEE SHEET 1	-	-	-		



- 2 AS SHOWN

DETAIL B
SCALE 12.000



SEE DETAIL B

THIS DRAWING IS A CONTROLLED DOCUMENT.		DWN C.D	25OCT2011	TE Connectivity	
DIMENSIONS: mm (inch)		CHK C.W	25OCT2011		
TOLERANCES UNLESS OTHERWISE SPECIFIED:		APVD C.W	25OCT2011	NAME HEAT SINK ASSEMBLY 100 GIG PLUGGABLE	
0 PLC ±		PRODUCT SPEC		SIZE	
1 PLC ±0.5		APPLICATION SPEC		CAGE CODE	
2 PLC ±0.25		WEIGHT		DRAWING NO	
3 PLC ±0.125		CUSTOMER DRAWING		RESTRICTED TO	
4 PLC ±0.0001°		SCALE		SHEET	
ANGLES ±		1.000		2 OF 2	
FINISH		REV		D	

X-ON Electronics

Largest Supplier of Electrical and Electronic Components

Click to view similar products for [Heat Sinks](#) category:

Click to view products by [TE Connectivity](#) manufacturer:

Other Similar products are found below :

[581102B00000G](#) [656-15ABPE](#) [657-20ABPNE](#) [7020B-TC12-MTG](#) [73452PPBA](#) [7G0011A](#) [PF720G](#) [A22-4026](#) [120-1873-007](#) [HAH10L](#)
[1542616-1](#) [HS-2506-F1](#) [HS-87M0-F2](#) [218-40CTE3](#) [231-69PAB-15V](#) [25-7520](#) [SW50-4G](#) [231-75PAB-13V](#) [231-75PAB-15V](#) [253-122ABE-](#)
[22](#) [PSC22CB](#) [HAF10L](#) [HAQ10T](#) [D10100-28](#) [BDN183CBA01](#) [3-21053-4](#) [32438](#) [TX0506-1B](#) [TX1806B](#) [LAE66A3CB](#) [WA-DT2-101E](#) [511-](#)
[3U](#) [73381PPBA](#) [73403PPBA](#) [7G0047C](#) [COMX-440-HSP](#) [510-12M](#) [D10650-40T5](#) [V8511 Y](#) [APF40-40-13CB/A01](#) [780653U04500G](#) [ATS-](#)
[54310K-C2-R0](#) [FK 216 CB SA](#) [FK 231 SA 220](#) [648-51AB](#) [657-20ABPESC](#) [2341BG](#) [679-25AG](#) [FK 212 CB SA](#) [FK225 SA L1](#)