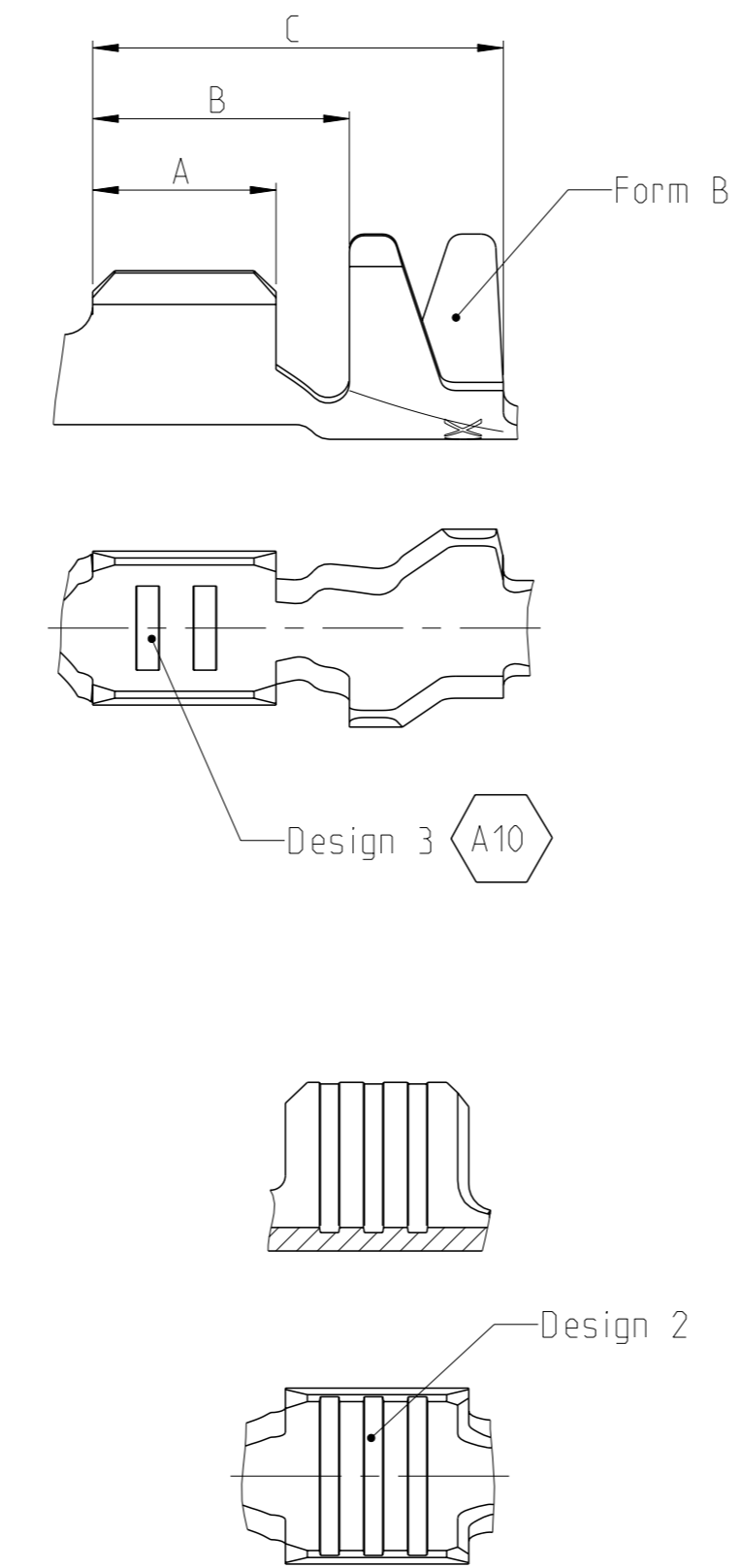
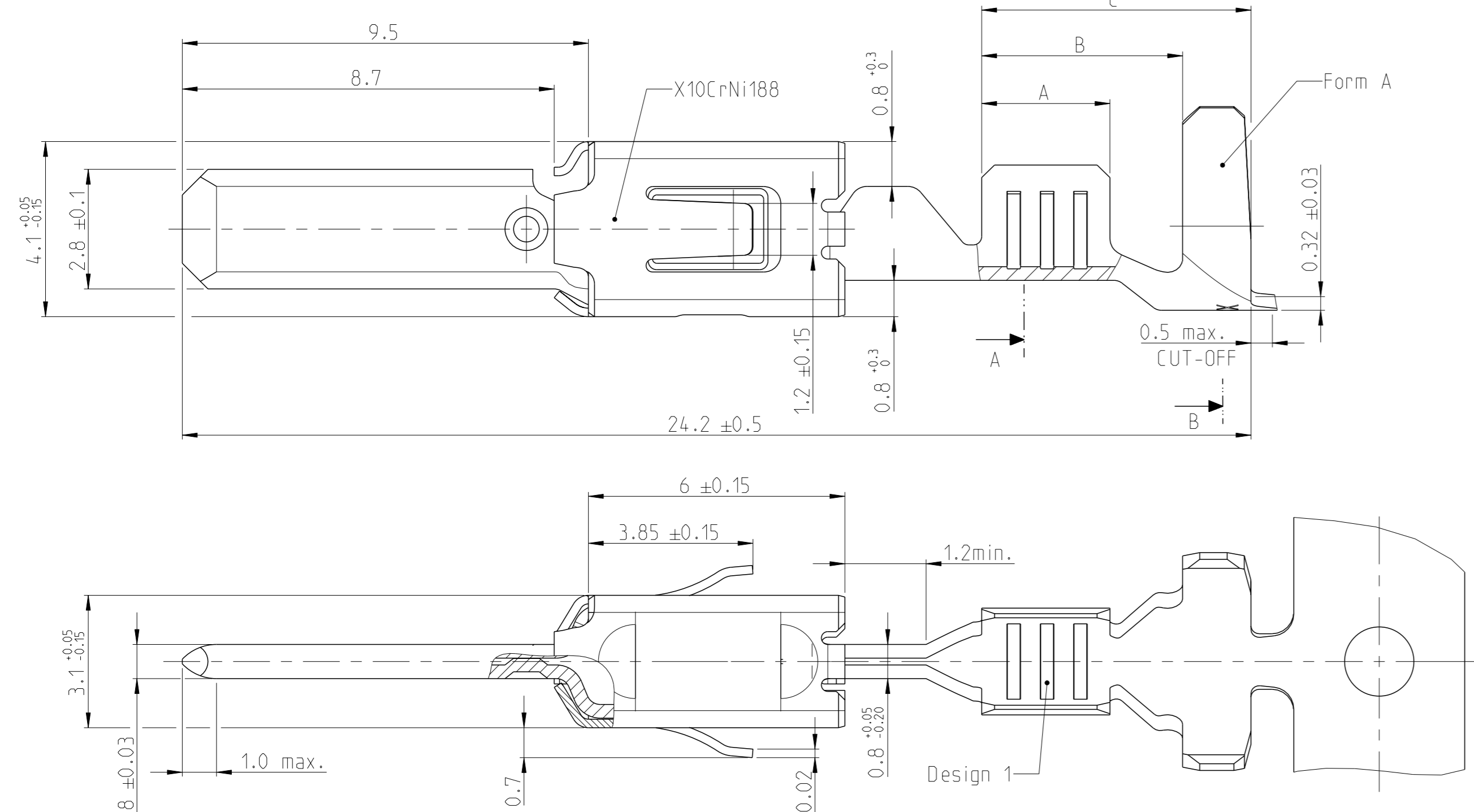


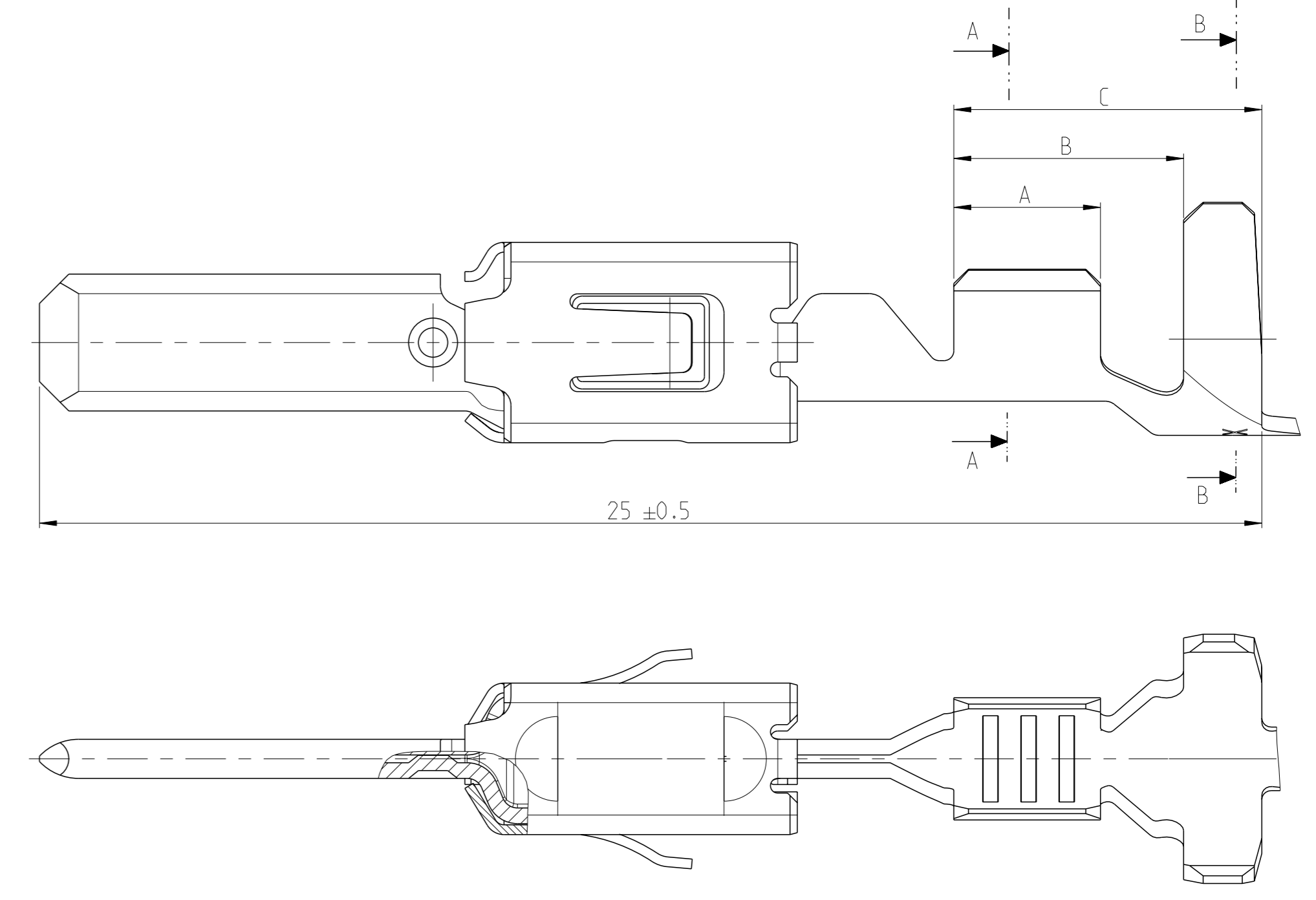
CONTACTS FOR FLR-CABLE Kontakte fuer FLR-Leitung



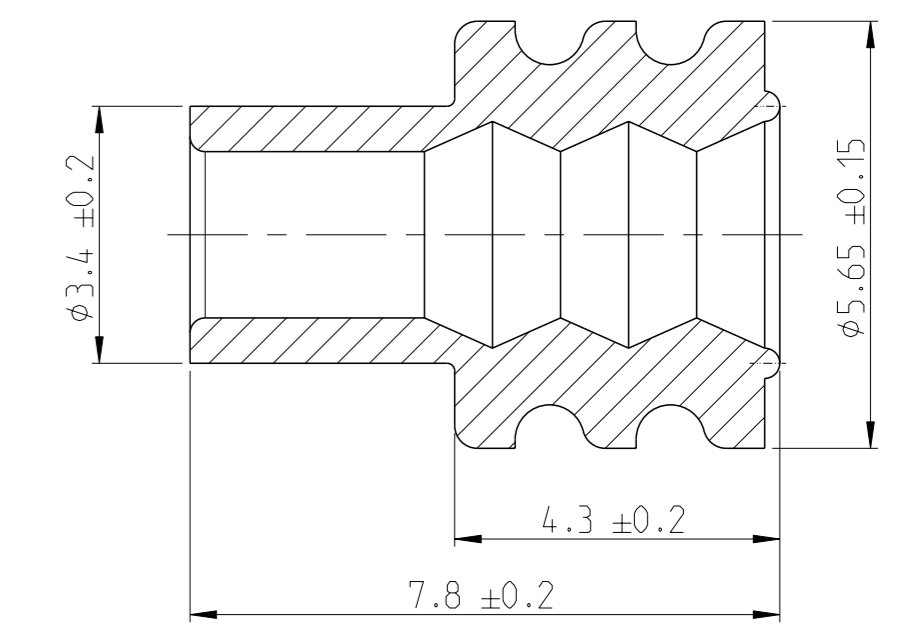
STRIP	
Section Schnitt A-A	Section Schnitt B-B

Order No. BESTELL - Nr. Strip BANDWARE	Rev.	Design Serrations	Wire Range Drahtgroessen Bereich (mm ²)	Insulation φ Isolations φ (mm)	Material Werkstoff	Surface Oberflaeche	Length Laenge	Wire crimp Drahtcrimp	Insul.crimp Iso crimp	Crimp Dimension Crimpabmessungen (mm)	
2-964302-2	A	1	>1.0-2.5	2.2-3.0	CuFe 2	vorverzinnt	A = 3.5 B = 5.2 C = 6.8	E = 3.6 G = 3.8 D _{cr} = 1.8	H = 5.3 K = 5.0 D _{iso} = 3.5	Single wire sealing system EDS	
2-964302-1	C										
1-964302-3	C										
4-964300-1	A	1	0.5-1.0	1.4-2.7	CuNi18Zn20	vorverzinnt	A = 3.0 B = 4.7 C = 6.3	E = 2.5 G = 2.7 D _{cr} = 1.2	H = 5.1 K = 4.8 D _{iso} = 3.3		
2-964300-2	A										
2-964300-1	C										
1-964300-3	C				CuSn 4						
2-2141876-2	A	2	0.35	3.4	CuFe 2	vorverzinnt	A = 2.5 B = 4.7 C = 6.3	E = 2.4 G = 2.3 D _{cr} = 1.0	H = 4.7 K = 4.5 D _{iso} = 3.2		
2-2141876-1	A										
1-2141876-3	A										
2-964298-1	C	3 A10	0.2-0.5	1.2-2.3	CuFe 2	vorverzinnt	A = 2.5 B = 4.7 C = 6.3	E = 2.1 G = 2.1 D _{cr} = 0.8	H = 4.7 K = 4.5 D _{iso} = 3.2		
1-964298-3	C										
2-964296-2	B	1	>1.0-2.5	2.2-3.0	CuFe 2	vorverzinnt	A = 3.3 B = 4.3 C = 5.8	E = 3.6 G = 3.8 D _{cr} = 1.8	H = 4.7 K = 4.9 D _{iso} = 2.6		Form A
2-964296-1	C										
1-964296-3	C										
2-964294-2	A	1	0.5-1.0	1.4-2.1	CuFe 2	vorverzinnt	A = 3.0 B = 4.0 C = 5.5	E = 2.5 G = 2.7 D _{cr} = 1.2	H = 3.7 K = 3.9 D _{iso} = 1.8	Form A	
2-964294-1	B										
1-964294-3	B										
2-2141874-1	A	2	0.35	1.15-1.6	CuFe 2	vorverzinnt	A = 2.5 B = 3.5 C = 5.6	E = 2.4 G = 2.3 D _{cr} = 1.0	H = 2.7 K = 2.8 D _{iso} = 1.4	Form B	
1-2141874-3	A										
2-964292-1	B	3 A10	0.2-0.5	1.15-1.6	CuFe 2	vorverzinnt	A = 2.5 B = 3.5 C = 5.6	E = 2.1 G = 2.1 D _{cr} = 0.8	H = 2.7 K = 2.8 D _{iso} = 1.4	Form B	
1-964292-3	B										
Order No. BESTELL - Nr. Strip BANDWARE	Rev.	Design Serrations	Wire Range Drahtgroessen Bereich (mm ²)	Insulation φ Isolations φ (mm)	Material Werkstoff	Surface Oberflaeche	Length Laenge	Wire crimp Drahtcrimp	Insul.crimp Iso crimp	Crimp Dimension Crimpabmessungen (mm)	

Contacts for
Single Wire Sealing System; FLR-and FLK-Cable
Kontakt fuer Einzel-Dichtung-System; FLR und FLK-Leitung
Dimensions see Figure Contacts for FLR - Cable
Masse siehe Darstellung der Kontakte fuer FLR-Leitung



SINGLE WIRE SEAL Einzel-Dichtung		
963292-1	2.7-3.0	yellow gelb
963293-1	2.0-2.7	redbrown rotbraun
963294-1	1.2-2.1	blue blau
ORDER NO. Bestell-Nr.	Insulation φ Isolations φ	Colour Farbe



- NOTES
Bemerkungen:
- △ BODY ELECTRO TIN PLATED OVER NICKEL 0.2 μm MIN. CONTACT AREA SELECTIVE GOLD OVER NICKEL 0.8 μm MIN. WIRE CRIMP AREA ELECTRO TIN PLATED 1 μm MIN. OVER NICKEL Kontaktkoerper gal. verzinkt ueber Nickel 0.2 μm min. Kontaktzone selectiv vergoldet ueber Nickel 0.8 μm min. Drahtcrimpbereich gal. verzinkt 1 μm min. ueber Nickel
 - △ ACCORDING INSULATION φ IS TO CHOOSE THE SINGLE WIRE SEAL Entsprechend dem Isolationsdurchmesser ist die Einzel-Dichtung auszuwaehlen
 - △ CONTACT AREA MIN. 3 μm PRE-SILVER PLATED Kontaktzone min. 3 μm vorversilbert

THIS DRAWING IS A CONTROLLED DOCUMENT. DIESE ZEICHNUNG IST EIN KONTROLLIERTES DOKUMENT		OWN Abraham, G. 05NOV2001	TE Connectivity
DIMENSIONS: MASSE/EINHEITEN: mm		CHK Meierhofer, T. 05NOV2001	
TOLERANCES UNLESS OTHERWISE SPECIFIED: ALLGEMEINTOLERANZEN		APVD Bleicher, M. 05NOV2001	NAME
0 PLC ±0.2 mm		PRODUCT SPEC	108-18063
1 PLC ±		APPLICATION SPEC	114-18051
2 PLC ±		WEIGHT	00779
3 PLC ±		SCALE	10:1
4 PLC ±		SHEET	1 of 1
ANGLES		CUSTOMER DRAWING / KUNDENZEICHNUNG	REV. A10

X-ON Electronics

Largest Supplier of Electrical and Electronic Components

Click to view similar products for [Automotive Connectors](#) category:

Click to view products by [TE Connectivity](#) manufacturer:

Other Similar products are found below :

[003-018-000](#) [60403001](#) [60993906-B](#) [M902-2131](#) [M902-2161](#) [M902-2344](#) [72.330.1035.1](#) [73.353.4028.0](#) [F119300-B](#) [F166900](#) [F258300-B](#)
[F358300-B](#) [F407400](#) [F444110](#) [F487000](#) [F509500B-B](#) [827153-1](#) [8N1515-32-24P](#) [9-1326729-8](#) [925474-1](#) [928905-1](#) [964562-4](#) [968782-1](#)
[GT17SA-8DS-HU](#) [98891-1012](#) [98947-1016](#) [12004147](#) [12004475-L](#) [12010290](#) [12010309-B](#) [12015454](#) [12020219-B](#) [12041318-B](#) [12052225-](#)
[L](#) [12052466](#) [12064869](#) [12004327-B](#) [12015308](#) [12015384](#) [12015909](#) [1-21030-1](#) [12041254](#) [12041318](#) [12047946-B](#) [12047957](#) [12047957-L](#)
[12059473](#) [12066261](#) [12110546](#) [12110546-B](#)