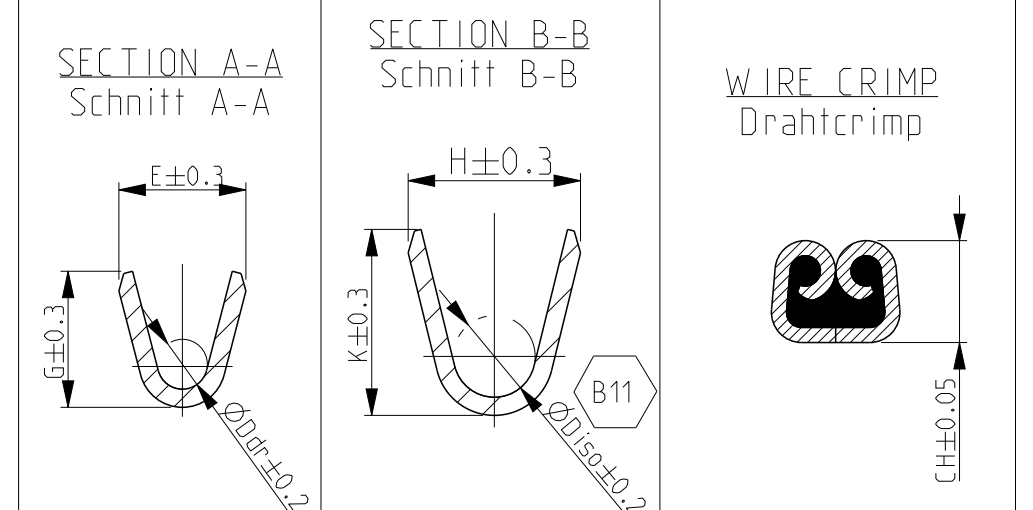
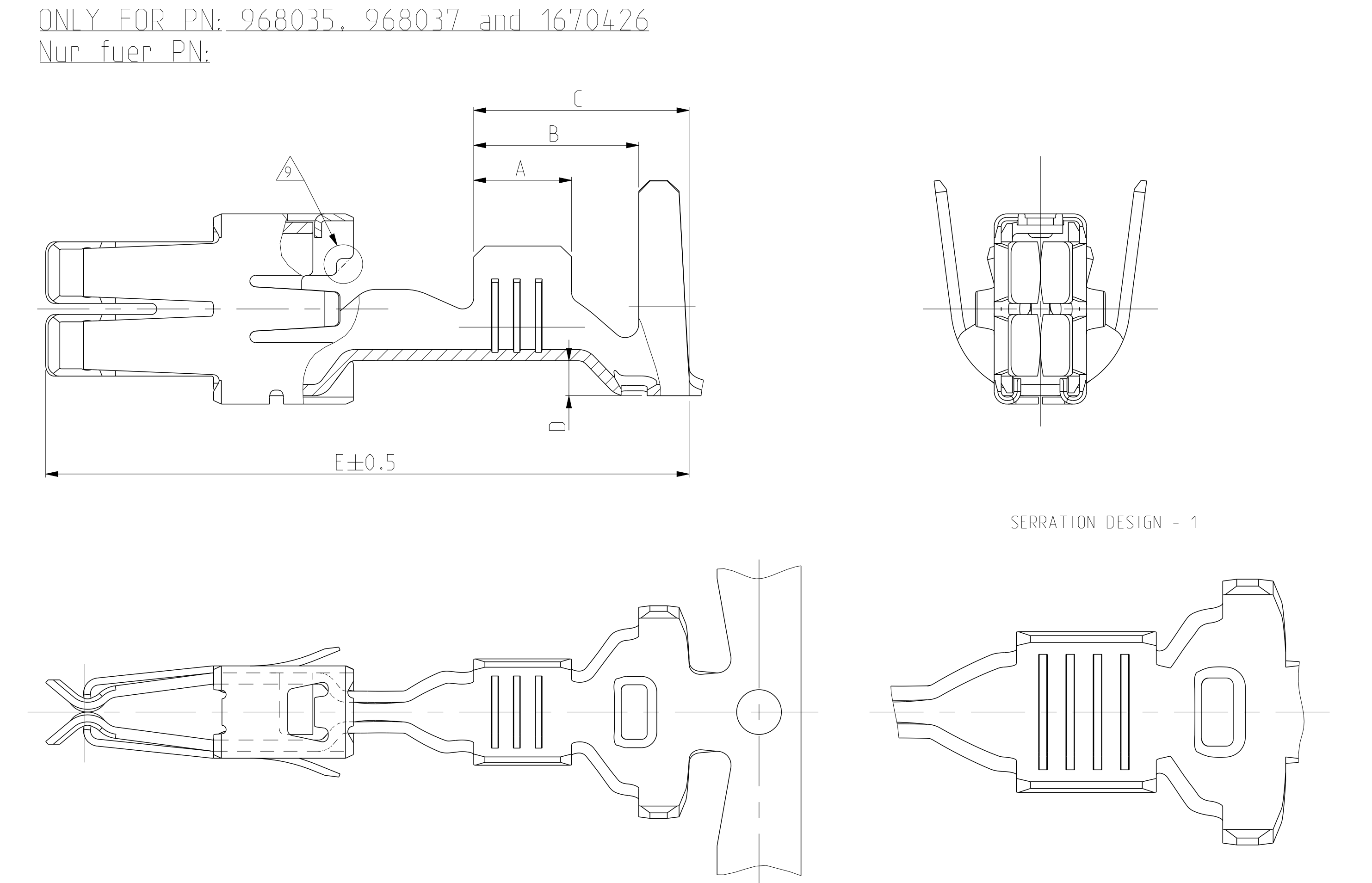
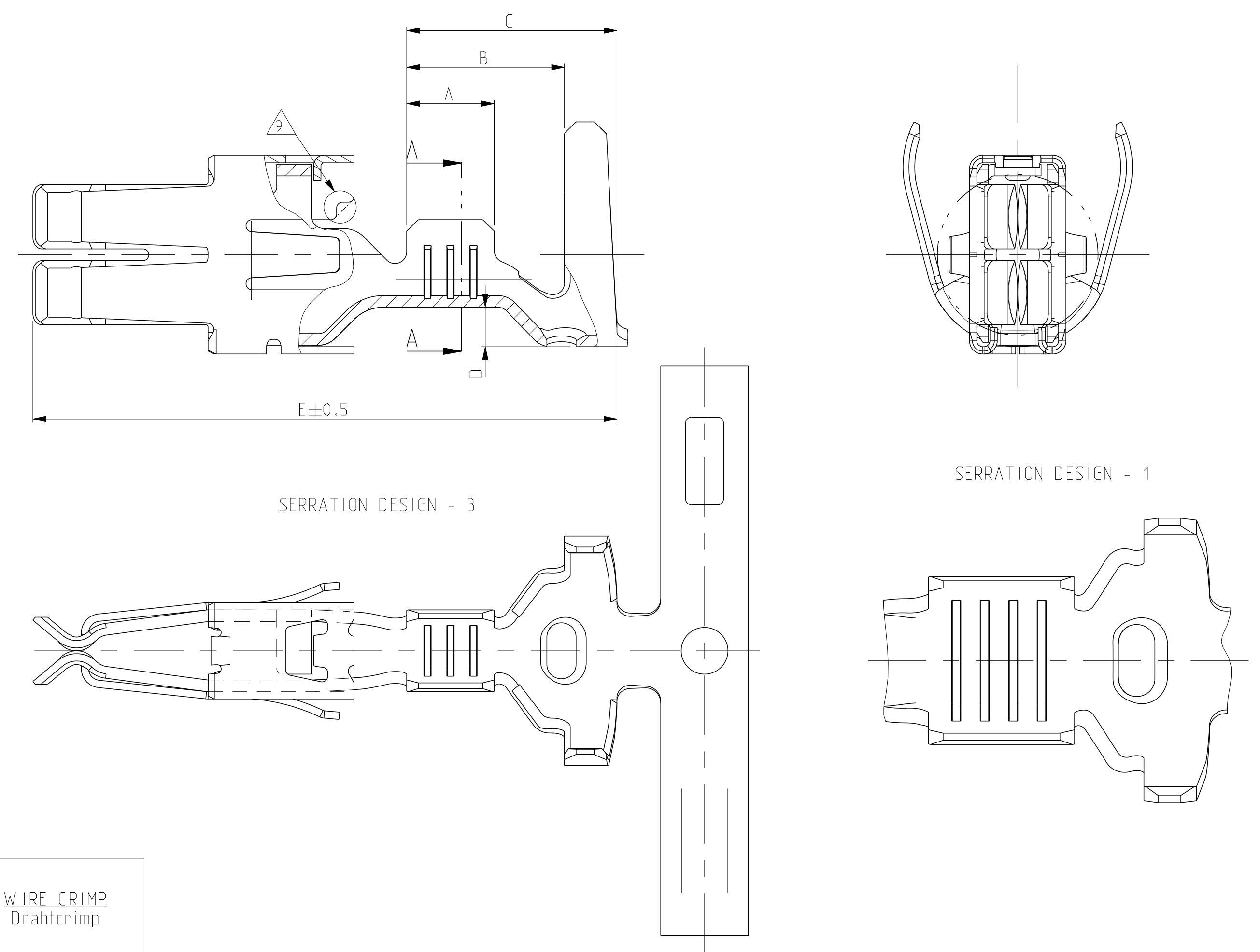
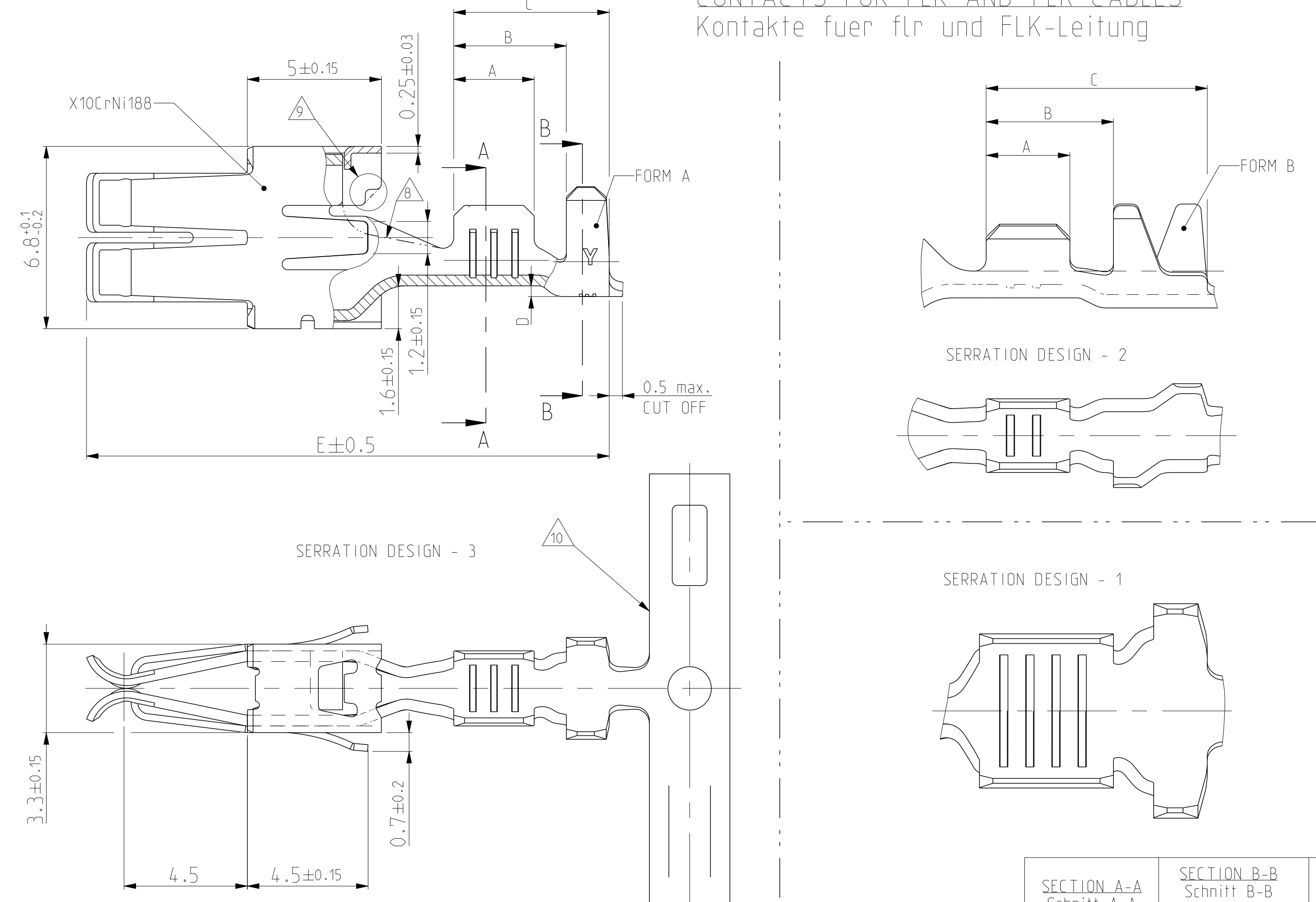


CONTACTS FOR FLR AND FLK CABLES
Kontakte fuer flr und FLK-Leitung

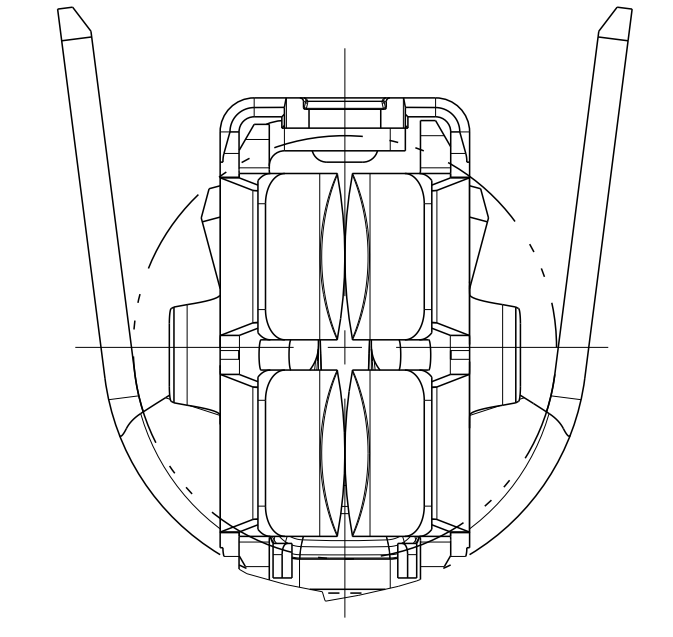


CONTACTS FOR SINGLE WIRE SEALING SYSTEM: FLR- AND FLK- CABLE
Kontakte fuer Einzel - Dichtung - System: FLR- UND FLK - Leitung

ONLY FOR PN: 968035, 968037 and 1670426
Nur fuer PN:

DIMENSIONS SEE FIGURE CONTACTS FOR FLR - CABLE
Masse siehe Darstellung der Kontakte fuer FLR -Leitung

ONLY FOR PIN : 964330 , 964332 , 964334 , 968035 and 968037
Nur fuer PN:



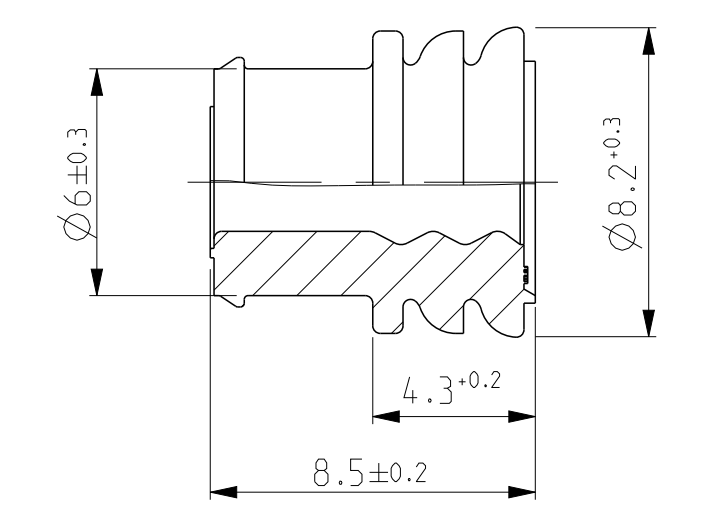
CARRIERSTRIP
Traegerstreifen

| 11 | PN | REV | STRIP FORM BANDWARE (SERRATION DESIGN - D) | REV | STRIP FORM BANDWARE (SERRATION DESIGN - 2) | REV | STRIP FORM BANDWARE (SERRATION DESIGN - 3) | REV | WIRE RANGE Drahtgroessen Bereich (mm²) | INSULATION Ø Isolations Ø (mm) | MATERIAL Werkstoff | SURFACE Oberfläche | LENGTH Laenge | WIRE CRIMP Drahtcrimp | INSULATION CRIMP Isolationscrimp | CRIMP HEIGHT (CH) Crimp - Hoehe | ORDER- NO. Bestell-Nr | CRIMP DATA AND CRIMP TOOL Crimpdaten u. Crimpwerkzeuge |
|----|-------------|-----|--|-----|--|-----|--|-----|--|--------------------------------|--------------------|--------------------|---------------|--|--|--|-----------------------|--|
| | 1-1670426-6 | D | | | | | | | >4.0 - 6.0 INCL AWG 10 | >3.6 - 5.1 6.0 (SEAL) | CuNiSi | | | E = 5.30 G = 5.60 D ₉₅ = 2.90 | H = 8.15 K = 8.00 D ₉₀ = 6.00 | 5.00mm² = 2.36 6.00mm² = 2.55 PRELIMINARY vortlaufig | | |
| | 2-968037-4 | B | | | | | | | >2.5 - 4.0 | 3.4 - 3.7 | CuSn4 | sel. Gold | | E = 4.60 G = 4.80 D ₉₅ = 2.40 | H = 7.60 K = 7.70 D ₉₀ = 5.60 | 4.00mm² = 2.35 3.00mm² = 2.13 | | |
| | 1-968037-4 | B | | | | | | | >1.0 - 2.5 | 2.7 - 3.7 | CuSn4 | vorverzinkt | | E = 3.80 G = 4.10 D ₉₅ = 1.60 | H = 7.60 K = 7.70 D ₉₀ = 5.60 | 1.50mm² = 1.76 2.00mm² = 1.90 2.50mm² = 2.04 | | |
| | 0-968037-2 | B | | | | | | | >2.5 - 4.0 | 3.4 - 4.5 | CuSn4 | vorverzinkt | | E = 4.60 G = 4.80 D ₉₅ = 2.40 | H = 7.80 K = 7.80 D ₉₀ = 5.70 | 3.00mm² = 2.13 4.00mm² = 2.35 | | |
| | 1-964334-5 | B | | | | | | | >1.0 - 2.5 | 2.2 - 3.7 | CuFe2 | sel. Gold | | E = 3.80 G = 4.00 D ₉₅ = 1.70 | H = 7.80 K = 7.80 D ₉₀ = 5.70 | 1.50mm² = 1.76 2.00mm² = 1.90 2.50mm² = 2.04 | | |
| | 1-964334-1 | B | | | | | | | >2.5 - 4.0 | 3.4 - 4.5 | CuFe2 | vorverzinkt | | E = 2.80 G = 3.00 D ₉₅ = 1.10 | H = 7.70 K = 7.70 D ₉₀ = 5.50 | 0.50mm² = 1.43 0.75mm² = 1.52 1.00mm² = 1.61 | | |
| | 1-969044-5 | B | | | | | | | > 2.5 - 4.0 | 3.4 - 4.5 | CuFe2 | vorverzinkt | | E = 4.60 G = 4.80 D ₉₅ = 2.40 | H = 8.15 K = 8.00 D ₉₀ = 6.00 | 4.00mm² = 2.35 | | |
| | 969044-5 | B | | | | | | | > 1.0 - 2.5 | 2.2 - 3.7 | CuFe2 | vorverzinkt | | E = 3.80 G = 4.00 D ₉₅ = 1.70 | H = 8.15 K = 8.00 D ₉₀ = 5.70 | 2.50mm² = 2.04 2.00mm² = 1.90 1.50mm² = 1.76 | | |
| | 969044-1 | B | | | | | | | > 0.5 - 1.0 | 1.4 - 2.7 | CuFe2 | sel. Gold | | E = 2.80 G = 3.00 D ₉₅ = 1.10 | H = 7.85 K = 7.70 D ₉₀ = 5.50 | 1.00mm² = 1.61 0.75mm² = 1.52 0.50mm² = 1.43 | | |
| | 964328-5 | B | | | | | | | > 2.5 - 4.0 | 3.3 - 4.5 | CuFe2 | vorverzinkt | | E = 4.60 G = 4.80 D ₉₅ = 2.40 | H = 6.40 K = 6.70 D ₉₀ = 4.00 | 3.00mm² = 2.13 3.50mm² = 2.24 4.00mm² = 2.35 | | |
| | 964328-1 | B | | | | | | | >1.0 - 2.5 | 2.2 - 3.0 | CuFe2 | vorverzinkt | | E = 3.80 G = 4.00 D ₉₅ = 1.70 | H = 4.70 K = 4.90 D ₉₀ = 2.60 | 1.50mm² = 1.76 2.00mm² = 1.90 2.50mm² = 2.04 | | |
| | 964326-5 | C | | | | | | | > 0.5 - 1.0 | 1.4 - 2.7 | CuFe2 | vorverzinkt | | E = 2.80 G = 3.00 D ₉₅ = 1.10 | H = 3.80 K = 4.10 D ₉₀ = 1.80 | 0.50mm² = 1.43 0.75mm² = 1.52 1.00mm² = 1.61 | | |
| | 964326-1 | C | | | | | | | > 0.2 - 0.5 | 1.15 - 1.6 | CuFe2 | vorverzinkt | | E = 2.20 G = 2.20 D ₉₅ = 0.80 | H = 3.10 K = 3.10 D ₉₀ = 1.40 | 0.20mm² = 1.13 0.25mm² = 1.15 0.35mm² = 1.19 0.50mm² = 1.26 | | |

SEE APPLICATION SPECIFICATION
siehe Verarbeitungsspezifikation
114 - 18037

- ⚠ ACCORDING INSULATION Ø IS TO CHOOSE THE SINGLE WIRE SEAL ATTENTION: DIFFERENT HOUSING CAVITY DIAMETER ARE POSSIBLE. PLEASE NOTICE APPROPRIATE HOUSING PRODUCT SPECIFICATION !
Entsprechend dem Isolationsdurchmesser ist die Einzel- Dichtung auszuwählen
Achtung: Verschiedene Gehäuse- kammer- Durchmesser moeglich, Bitte entsprechende Gehäuse- Product- Spezifikation beachten !
- ⚠ ADDITIONAL CUSTOMER-SPECIFIC SEAL EXISTING
Weitere kundenspezifische Einzeldichtung vorhanden
- ⚠ BODY ELECTRO TIN PLATED OVER NICKEL 0.2µm min.
Kontaktkoerper : gal. verzinkt ueber Nickel 0.2µm min.
CONTACT AREA SELECTIVE GOLD OVER NICKEL 0.8µm min.
Kontaktzone: selektiv vergoldet ueber Ni 0.8µm min.
- WIRE CRIMP AREA ELECTRO TIN PLATED OVER NICKEL 1.0µm min.
Draht crimpbereich galv. verzinkt ueber Nickel 1.0µm min.
- ⚠ CONTACT ZONE SELECTIVE PRE SILVER PLATED MIN. 1-1.5µm
Kontaktzone selektiv vorversilbert min. 1-1.5µm
- ⚠ CONTACT BODY ELECTRO TIN LATED OVER NICKEL 0.2µm min.
kontaktkoerper : gal. verzinkt ueber Nickel 0.2µm min.
TOUCHING AREA TO CANTILEVER SPRING
SELECTIVE AU PLATED OVER NICKEL 0.8µm min.
Anlageflaeche zur Ueberfeder Kontaktzone selektiv Au ueber Ni beschichtet 0.8µm min
CANTILEVER SPRING: COMPLETELY AU PLATED 0.6µm min.
Ueberfeder: komplett Au beschichtet 0.6µm min.
- ⚠ CONTACT ZONE SELECTIVE PRE SILVER PLATED MIN. 3- 4.5µm
Kontaktzone selektiv vorversilbert min. 3- 4.5µm
- ⚠ 1-3 µm Sn28M LAYER FOR HIGHER TEMPERATURE REQUIREMENTS
1-3 µm Sn28M Schicht fuer Hoehere Temperaturanforderungen
- ⚠ TRANSITION ONLY FOR PN 964325 AND 964326
Uebergang nur fuer PN 964325 und 964326
- ⚠ DOTTED LINE IS ALTERNATIVE SHAPE
Gestrichelte Linie alternative Form
- ⚠ THICKNESS OF MATERIAL 0.4±0.03 mm
Materialstaerke 0.4±0.03 mm

- ⚠ OBSOLETE
- ⚠ SEE APPLICATION SPEC. FOR PREFERRED STANDARD TO MEET NEW REQUIREMENT @LV214-2 SLOW MOTION BENDING TEST
Siehe Verarbeitungs Spezifikation fuer bevorzugten Standard um den neuen Anforderungen der LV214-2 Slow Motion Pruefung zu genuegen



| PN | REV | INSULATION Ø Isolations Ø (mm) | COLOUR Farbe |
|----------|---------------|--------------------------------|--------------|
| 963245-1 | 3.4 - 3.7 | YELLOW gelb | |
| 963244-1 | 2.2 - 3.0 | WHITE weiss | |
| 963243-1 | 1.2 - 2.1 | BLUE blau | |
| 100132-1 | DEAD END PLUG | BLACK schwarz | |
| 967011-1 | 3.6 - 4.3 | GREEN gruen | |
| 968043-1 | 4.3 - 5.1 | RED rot | |

THIS DRAWING IS A CONTROLLED DOCUMENT. DAN 10 DEZEMBER 2007 10:47:20
 DIMENSIONS: 114-18037
 MATERIAL: SEE TABLE
 CUSTOMER DRAWING
 STANDARD POWER TIMER CONTACT TYP A
 SCALE: 10:1
 SHEET: 1 OF 1
 REV: B11

X-ON Electronics

Largest Supplier of Electrical and Electronic Components

Click to view similar products for [Automotive Connectors](#) category:

Click to view products by [TE Connectivity](#) manufacturer:

Other Similar products are found below :

[003-018-000](#) [60403001](#) [60993906-B](#) [M902-2131](#) [M902-2161](#) [M902-2344](#) [72.330.1035.1](#) [73.353.4028.0](#) [F119300-B](#) [F166900](#) [F258300-B](#)
[F358300-B](#) [F407400](#) [F444110](#) [F487000](#) [F509500B-B](#) [827153-1](#) [8N1515-32-24P](#) [9-1326729-8](#) [925474-1](#) [928905-1](#) [964562-4](#) [968782-1](#)
[GT17SA-8DS-HU](#) [98891-1012](#) [98947-1016](#) [12004147](#) [12004475-L](#) [12010290](#) [12010309-B](#) [12015454](#) [12020219-B](#) [12041318-B](#) [12052225-](#)
[L](#) [12052466](#) [12064869](#) [12004327-B](#) [12015308](#) [12015384](#) [12015909](#) [1-21030-1](#) [12041254](#) [12041318](#) [12047946-B](#) [12047957](#) [12047957-L](#)
[12059473](#) [12066261](#) [12110546](#) [12110546-B](#)