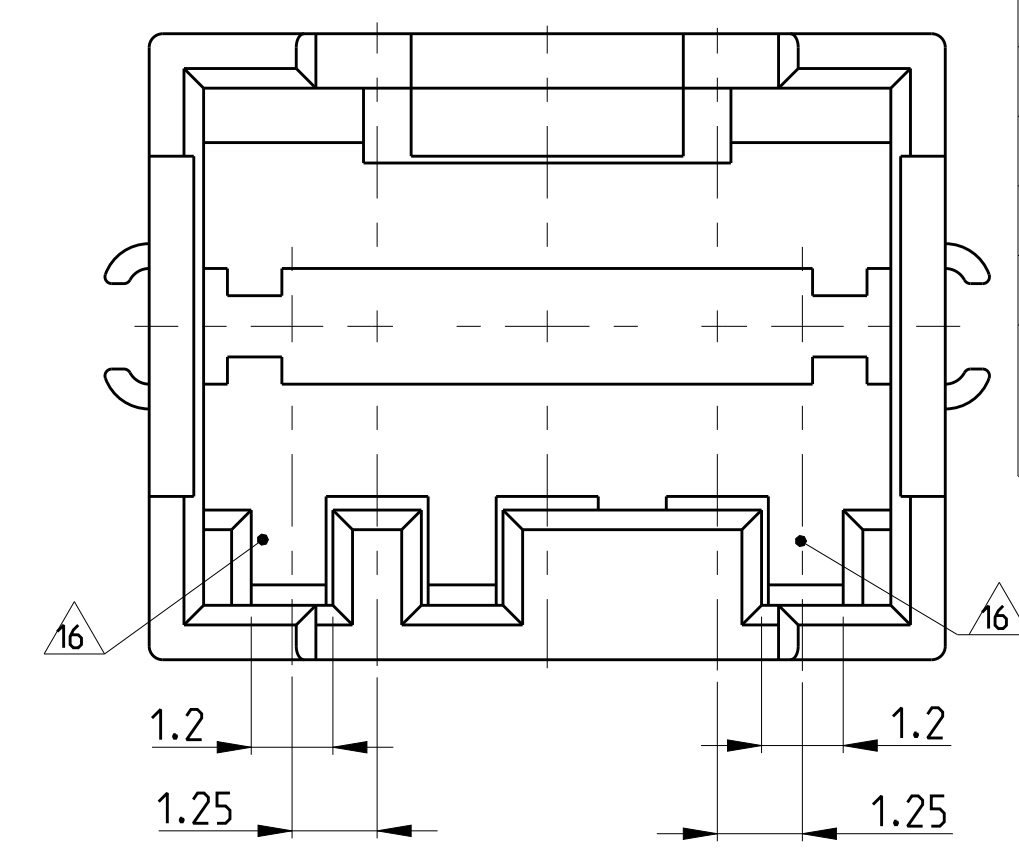


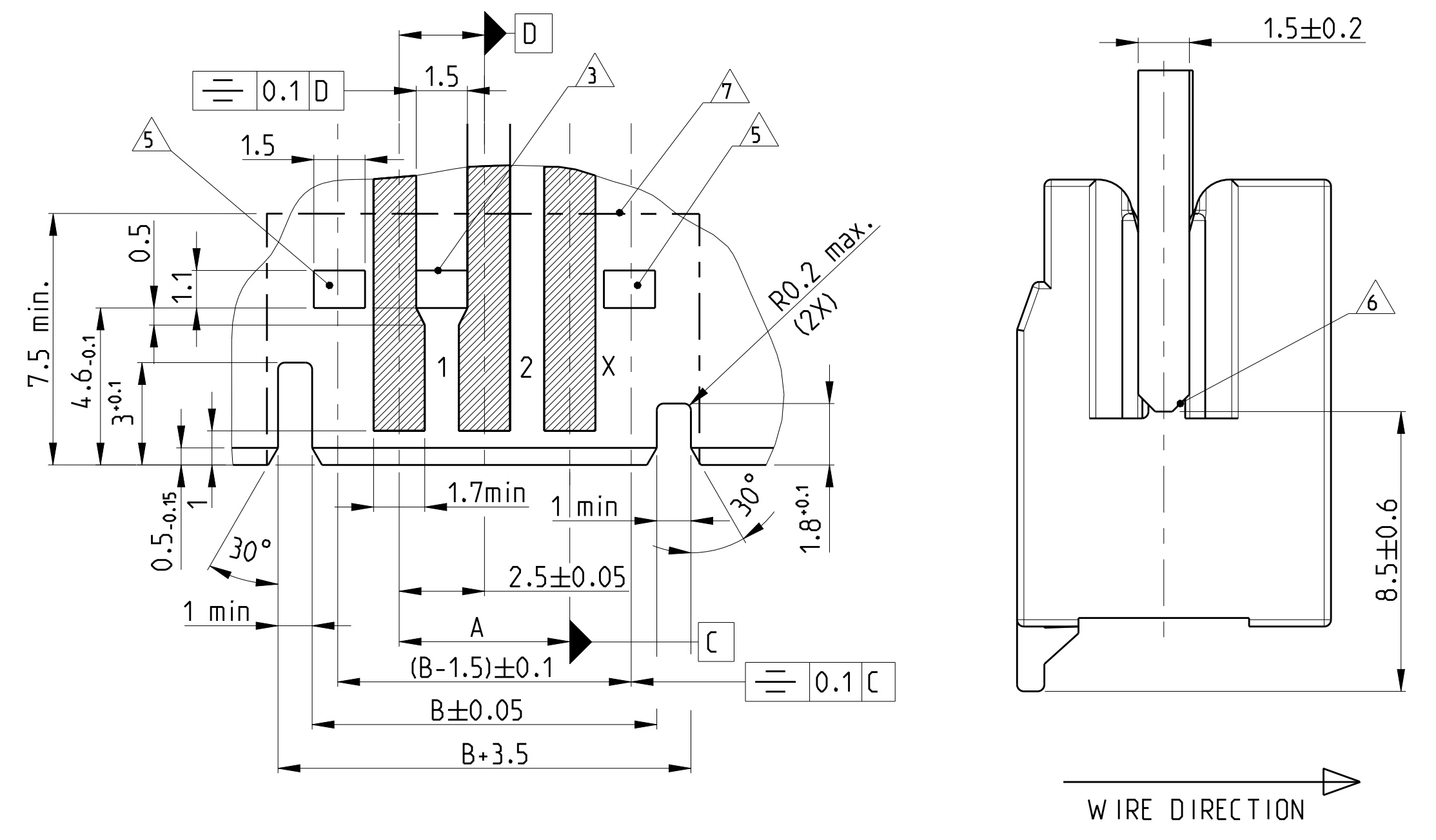
SECTION A-A

- 1 KODIERUNG ZW ISCHEN KAMMER 1 UND 2 DARGESTELLT (AUF ANFRAGE) KEYING SHOWN BETWEEN CAVITY 1 AND 2 (ON REQUEST)
- 2 RASTHAKEN BEI ERSTER UND LETZTER KAMMER IMMER VORHANDEN LOSCKING CLIP ALWAYS ON FIRST AND LAST CAVITY
- 3 ZUSATZLICHE RASTHAKEN ZWISCHEN KAMMER-NR.SIEHE BLATT 2 VON 2 ADDITIONAL LOCKING CLIP BETWEEN CAVITY NO SEE SHEET 2 OF 2
- 4 KAMMERNUMMER CAVITY NO
- 5 RASTFENSTER IMMER VORHANDEN LOCKING WINDOW ALWAYS PRESENT
- 6 LEITERPLATTE VORZUGSWEISE ANGEFAST PCB CHAMFERED PREFERABLE
- 7 PLATZBEDARF FOR RAHMEN AREA FOR FRAME
- 8 PR ÜF ÖFFNUNGEN INSPECTION HOLES
- 9 KLEMMFEDERN NIGHT VOL AUSGESDPRITZTE KONTUR ZUL ßSSIG CLIPS.SHAPE NOT FULLY MOLDED PERMISSIBLE

- 10 Passende Gegenstecker siehe PN 829 868/966 194 MATING PARTS SEE PN 829 868/966 194
- 12 WITH STROKE LINE DRAWN VERSIONS NOT YET AVAILABLE
- 13 14 15 SIEHE BLATT 2 VON 2 SEE SHEET 2 OF 2
- 16 Aubennuten eingeengt. Varianten eiehe Blatt 2) GROOVES ON OUTSIDE NARROWED.VERSIONS SEE SHEET 2
- 17 GLOW WIRE TEST 750°C ACC.DIN EN 60695-2-11 WITHOUT FLAME
- 18 OBSOLETE
- 19 PRELIMINARY PART, NOT FOR PRODUCTION



LOC		DIST		REVISIONS			
A	I	P	LTR	DESCRIPTION	DATE	DWN	APVD
C	17			REVISED PER ECR-19-001078	1FEB2019	RS	LZ
C	18			ECR-19-011325	18JUL2019	LZ	FL
C	19			ECR-20-000612	17JAN2020	SM	FL



TOLERANCE NOT SPECIFIED ±0.1

POS	DIM C	DIM B	DIM A	KEYING VERSIONS SEE SHEET 2 OF 2				REV	HOUSING PART NO
20	49.5	52.6	47.5	-	-	-	-	1-	964576-0
19	47	50.1	45.0	-	-	-	-	1- 18	964576-9
18	44.5	47.6	42.5	-	-	-	-	1-	964576-8
17	42	45.1	40.0	-	-	-	-	2- 1-	964576-7
16	39.5	42.6	37.5	-	-	-	-	1-	964576-6
15	37	40.1	35.0	-	-	-	-	2- 18 1-	964576-5
14	34.5	37.6	32.5	-	-	-	-	1-	964576-4
13	32	35.1	30.0	-	-	-	-	1- 18	964576-3
12	29.5	32.6	27.5	-	-	-	-	6- 18 5- 4- 18 3- 2- 1- 18	964576-2
11	27	30.1	25.0	-	-	-	-	2- 1-	964576-1
10	24.5	27.6	22.5	-	-	-	-	3- 18 2- 1- 18	964575-0
9	22	25.1	20.0	-	-	-	-	2- 1-	964575-9
9	22	25.1	20.0	-	9-	-	-	A	964575-9 17
8	19.5	22.6	17.5	-	9-	-	-	A	964575-8 17
8	19.5	22.6	17.5	-	-	-	-	2- 1-	C 964575-8
7	17	20.1	15.0	-	9-	8- 19	-	A	964575-7 17
7	17	20.1	15.0	-	-	-	-	4- 18 3- 2- 1-	C 964575-7
6	14.5	17.6	12.5	-	-	-	-	3- 2- 1-	C 964575-6
5	12	15.1	10.0	-	9-	8-	7-	A	964575-5 17
5	12	15.1	10.0	-	-	-	-	4- 3- 18 2- 1-	C 964575-5
4	9.5	12.6	7.5	-	9-	19	-	C	964575-4 17
4	9.5	12.6	7.5	-	-	-	-	4- 18 3- 2- 1-	C 964575-4
3	7	10.1	5.0	-	9-	-	-	2- 18 1-	C 964575-3
3	7	10.1	5.0	-	-	-	-	4-	C 964575-3 17
3	7	10.1	5.0	-	8-	7-	-	3-	A 964575-3 17

TE CONNECTIVITY

AMP DUOPLUG 2.5 SYSTEM PCB RAHMEN  
AMP DUOPLUG 2.5 SYSTEM PCB FRAME (3-20 Posn)

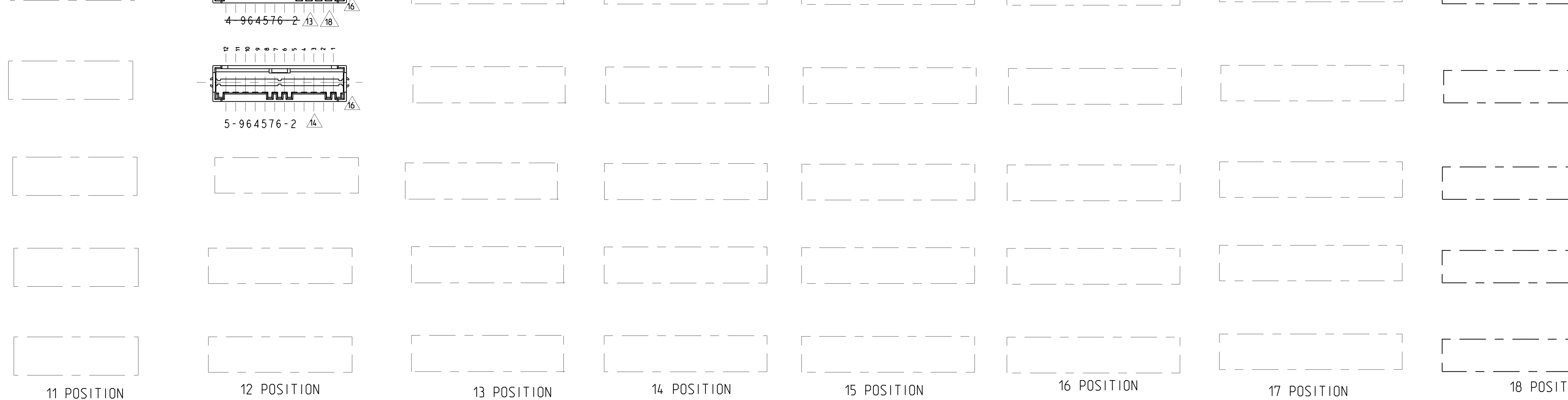
DATE: 06JULY2019  
DWN: ATZMANN  
CHK: BORMUTH  
APVD: -

DIMENSIONS: mm  
TOLERANCES UNLESS OTHERWISE SPECIFIED:  
0 PLC ±0.2  
1 PLC ±0.2  
2 PLC ±0.2  
3 PLC ±0.2  
4 PLC ±0.2  
ANGLES ±0.1°  
FINISH -

MATERIAL: PA 6.6 25%GF UL94 V-0

SIZE: A I  
CAGE CODE: -  
DRAWING NO: 964575  
REVISION: -

SCALE: 10:1  
SHEET: 1 OF 2  
REP: 19



11 POSITION

12 POSITION

13 POSITION

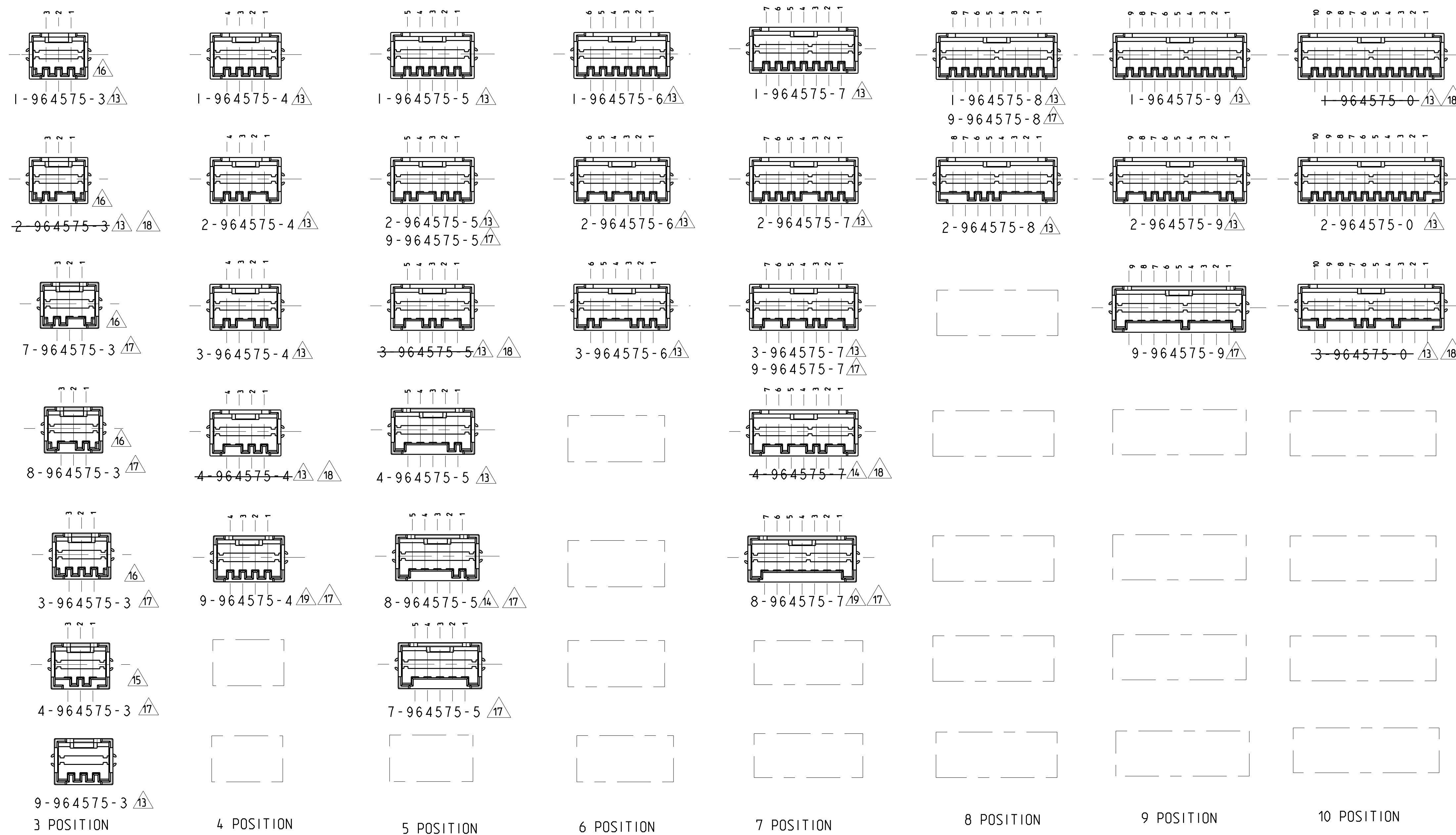
14 POSITION

15 POSITION

16 POSITION

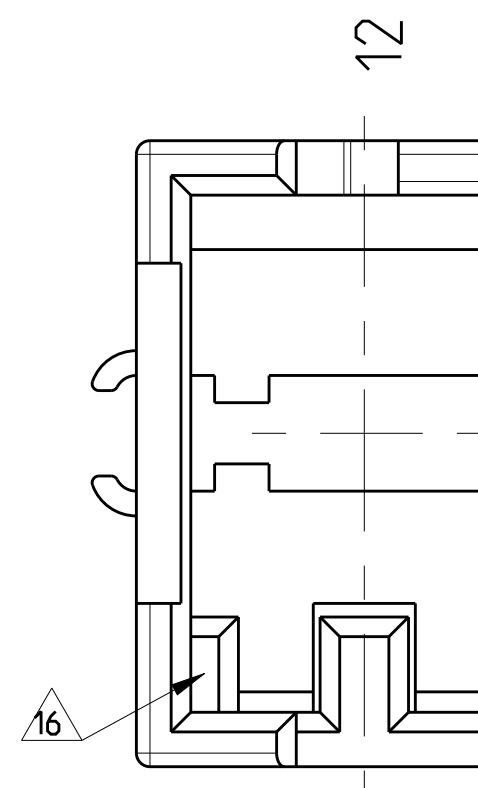
17 POSITION

18 POSITION

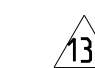




EXAMPLE:

CAVITY NO.



KEYING BETWEEN CAVITY 10 AND 11

-  COLOR: BLACK
-  COLOR: NATURAL (REDBROWN)
-  NATURAL (BEIGE)

## X-ON Electronics

Largest Supplier of Electrical and Electronic Components

*Click to view similar products for [Standard Card Edge Connectors](#) category:*

*Click to view products by [TE Connectivity](#) manufacturer:*

Other Similar products are found below :

[6565204-6](#) [PKC-156](#) [1437274-4](#) [147889-1](#) [1489165-4](#) [1-582587-1](#) [1-582589-1](#) [2-6437275-9](#) [284-0102-12100](#) [306022901000000](#) [307-012-502-202](#) [307-024-526-201](#) [307-056-520-300](#) [307-080-526-208](#) [245-062-520-350](#) [287-0032-12101](#) [306-028-525-102](#) [306-240-318](#) [307-036-502-202](#) [307-036-521-301](#) [307-072-526-202](#) [345-060-559-303](#) [368-004-520-201](#) [392-008-559-201](#) [534671-1](#) [5-530501-5](#) [341-240-317](#) [345-029-520-300](#) [345-030-500-301](#) [345-044-500-300](#) [345-220-058](#) [346-240-318](#) [357-030-526-201](#) [387-012-523-300](#) [395-044-520-300](#) [395-100-524-300](#) [50-12B-10](#) [50-6SN-5](#) [09-07-2032](#) [10035388-106LF](#) [10035388-802LF](#) [10122859-009LF](#) [530555-1](#) [EBT156-15A2X](#) [2007209-1](#) [5-678046-1](#) [1766200-1](#) [650231-6](#) [650289-1](#) [73726-0005](#)